

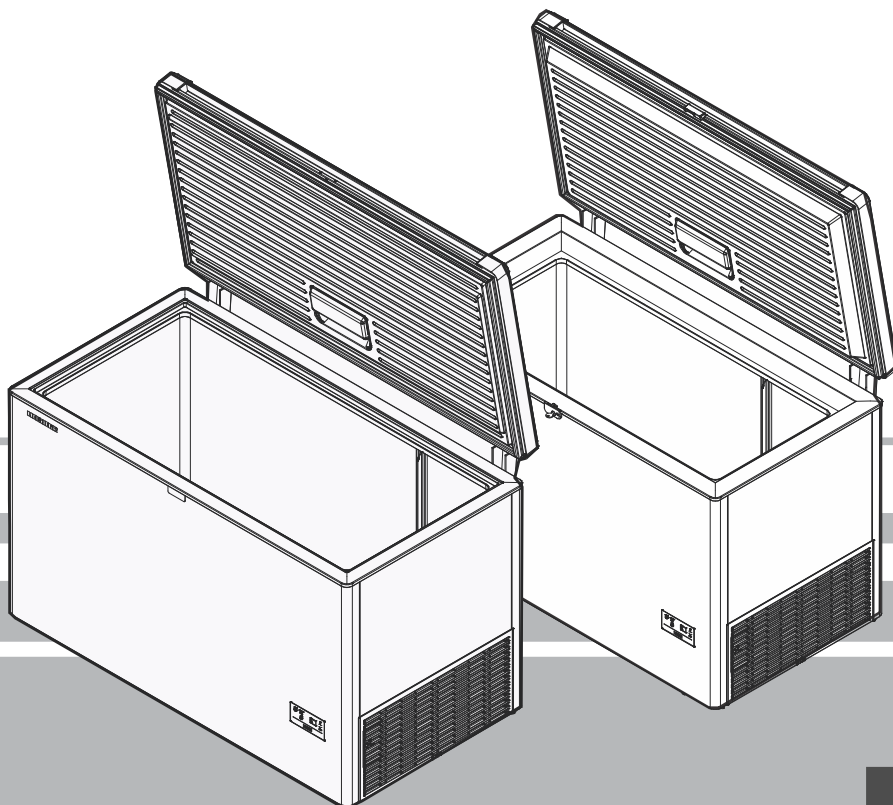
## Operating instructions

Chest freezer

Read the operating instruction before switching on for the first time

Page 10

EN



**7084 968-03**

**CFf , CFd , CFe & CFc**

**LIEBHERR**

## EN

### Priority of warnings

<b>⚠ DANGER</b>	identifies a situation involving direct danger which, if not obviated, may result in death or severe bodily injury.
<b>⚠ WARNING</b>	identifies a dangerous situation which, if not obviated, may result in death or severe bodily injury.
<b>⚠ CAUTION</b>	identifies a dangerous situation which, if not obviated, may result in minor or medium bodily injury.
<b>NOTICE</b>	identifies a dangerous situation which, if not obviated, may result in damage to property.
<b>Note</b>	identifies useful information and tips.

### Safety instructions and warnings




- **WARNING:** Keep ventilation openings, in the appliance enclosure or the built-in structure, clear of obstruction.
- **WARNING:** Only use the mechanical devices or other aids recommended by the manufacturer to help speed up the defrosting process.
- **WARNING:** Do not damage the refrigerant circuit.
- **WARNING:** Do not use any electrical devices in the refrigerator compartment which do not comply with the design recommended by the manufacturer.
- **WARNING:** The main cable must not be damaged while installing the appliance.
- **WARNING:** Multi-sockets or distributor strips and other electronic devices (such as halogen transformers) must not be positioned and operated at the rear of appliances.
- **WARNING:** Danger of injury through electric shock. There are live parts under the cover. Only have the interior LED light replaced or repaired by customer service staff or trained personnel.
- **WARNING:** Risk of injury from the LED lamp. The light intensity of the LED light complies with laser class RG 2. If the cover is defective, do not look directly at the light through optical lenses from a close distance. This may damage your eyes.
- **WARNING:** This appliance must be secured as described in the operating instructions (Installation instructions) to rule out any potential risks due to its instability.
- This appliance can be used by children aged from 8 years and above and persons with reduced

physical, sensory or mental capabilities or lack of experience and knowledge if they have been given supervision or instruction concerning use of the appliance in a safe way and understand the hazards involved

- Children shall not play with the appliance
- Cleaning and user maintenance shall not be made by children without supervision
- Do not store any explosive substances, such as aerosol containers with flammable propellant gas, inside the appliance.
- To prevent injury and damage to property, the appliance should only be installed by two people.
- After unpacking it, check the appliance for signs of damage. Contact the supplier if it is damaged. Do not connect the appliance to the mains power supply.
- Avoid prolonged skin contact with cold surfaces (e.g. chilled/frozen products). If necessary, take safety action (e.g. gloves).
- Do not eat ice cream, particularly ice lollies or ice cubes, immediately after taking them from the freezer compartment as there is a risk of "burning" because of the very cold temperatures.
- Do not consume food which has been stored for too long, as it could cause food poisoning.
- All repairs and work on the appliance may only be carried out by customer service personnel or other trained personnel. The same applies to changing the mains power cable.
- Only carry out repair and other work on the appliance when the mains plug has visibly been disconnected.
- Only install, connect and dispose of the appliance as described in these operating instructions.
- In the event of a fault, pull out the plug or switch off the fuse.
- When disconnecting the appliance from the mains, pull on the plug. Do not pull on the cable.
- If you have a lockable appliance, do not keep the key near the appliance or within reach of children.
- The appliance is designed for use in enclosed areas. Do not operate the appliance outdoors or in areas where it is exposed to splash water or damp conditions.

- Do not use the interior LED light to light the room. The interior LED light is only designed to illuminate the interior of the appliance.
- Do not allow naked flames or ignition sources to enter the appliance.
- Alcoholic drinks or other vessels containing alcohol should be sealed tightly for storage.

## Symbols on the appliance

	The symbol can be located on the compressor. It refers to the oil in the compressor and indicates the following danger: swallowing or inhaling can be fatal. This is only relevant for recycling. There is no danger in normal operation.
	<b>Warning:</b> Risk of fire / flammable materials
	A sticker to this effect may be applied to the rear of the appliance. It refers to the foampadded panels in the door and/or the housing. This is only relevant for recycling. Do not remove the sticker.

## Disposal notes

This appliances contains reusable materials and flammable refrigerant . So it should disposed of properly- not simply with unsorted household refuse. Appliances that are no longer needed must be disposed of professionally and appropriately, in accordance with the current local regulations and laws.



When disposing of the appliance, ensure that the refrigerant circuit is not damaged to prevent the uncontrolled escape of the refrigerant it contains (data on type plate) and oil.

- Disable the appliance.
- Pull out the mains plug.
- Cut through the connection cable.

## WARNING

Danger of suffocation due to the packing material and plastic film! Do not allow children to play with packaging material. Take the packaging material to an official collection point.

## Range of appliance use

The appliance is suitable solely for storage and freezing packed foods in a domestic environment or similar. This includes, for example, the use

- in staff kitchenettes, bed and breakfast establishments,
- by guests in cottages, hotels, motels, and other forms of accommodation,
- in catering and similar services in the wholesale trade.

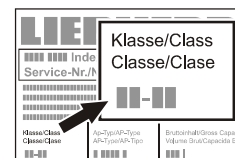
Use the appliance solely as is customary within a domestic environment. All other types of use are inadmissible. The appliance is not suitable for storing and cooling medicines, blood plasma, laboratory preparations, or similar substances and products covered by the 2007/47/EC Medical Devices Directive. Any misuse of the appliance may result in damage to or spoilage of stored goods. Furthermore, the appliance is not suitable for operation in potentially explosive atmospheres.

## Climate rating

The climate rating indicates the room temperature at which the appliance may be operated in order to achieve full refrigeration performance.

The climate rating is indicated on the type plate.

The position of the type plate is shown in the section entitled **Description of the appliance**.



Climate rating	Room temperature
SN	+10°C to +32°C
N	+16°C to +32°C
ST	+16°C to +38°C
T	+16°C to +43°C
SN-ST	+10°C to +38°C
SN-T	+10°C to +43°C

Fault-free operation of the appliance is ensured provided that the ambient temperature does not fall below -15°C.

## Electrical connection

Only operate the appliance with **alternating current (AC)**.

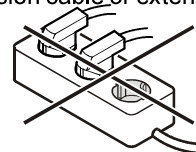
The permissible voltage and frequency are indicated on the type plate. The position of the type plate is shown in the section entitled **Description of the appliance**.

The socket must be properly earthed and protected by a fuse. The tripping current of the fuse must be between 10 A and 16 A.

**The socket must not be situated behind the appliance and must be easily accessible.**

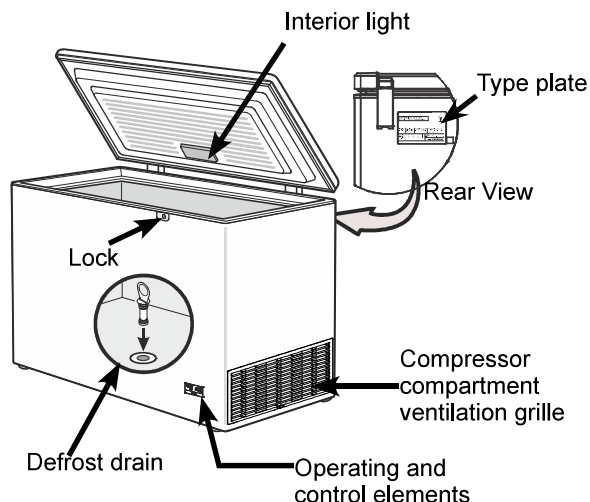
Do not connect the appliance using an extension cable or extension socket.

Do not use stand-alone inverters (conversion of direct current to alternating current/three-phase current) or energy-saving plugs. Risk of damage to the electronic control system!



If the supply cord is damaged , it must be replaced by manufacturer, its service agent or similarly qualified persons in order to avoid hazard

## Description of the appliance



### Important!

Before starting up the appliance, plug the defrost drain opening in the floor of the appliance with the plug provided. This is important to ensure that the appliance works properly.

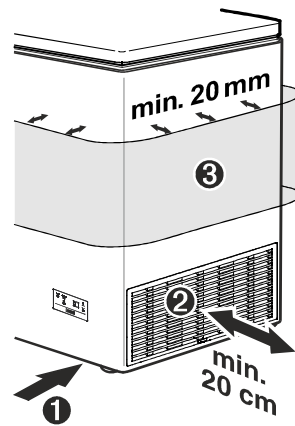
**WARNING:** When positioning the appliance, ensure the supply cord is not trapped or damaged.

**WARNING:** Do not locate multiple portable socket-outlets or portable power supplies at the rear of the appliance

## Setting up

- Do not place the appliance in areas of direct sunlight or next to a stove, heater or similar object.
- The floor on which the appliance stands must be horizontal and level. Place the appliance far enough away from the wall so that the lid can be opened and closed unhindered.

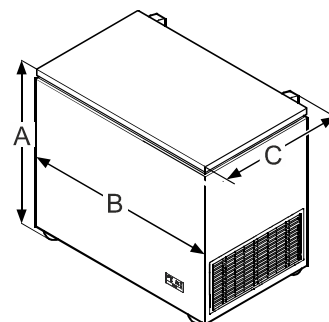
- ① Do not cover the gap between the lower edge of the freezer and the floor, as the refrigeration unit has to be supplied with air for cooling.
- ② There must be a gap of at least 20 cm between the ventilation grille and the wall. This gap must be kept clear and the ventilation openings uncovered.
- ③ Do not place any objects immediately next to the outer housing of the appliance. There must be a gap of at least 20 mm all round in order to ensure adequate heat discharge.



- Standard EN 378 specifies that the more refrigerant there is in the device, the larger the room in which the device is located must be. In rooms that are too small a flammable gas-air mixture can develop in the event of a leak. The installation room must use 8 g of refrigerant be at least 1 m<sup>3</sup> in size. Information on the refrigerant contained is on the name plate inside the device.

## Dimensions (mm)

Model	A	B	C
CFf 1870	825	1045	702
CFf 2080	825	1255	702
CFe 2500	825	1675	702
CFd 2085	825	1255	709
CFd 2505	825	1675	709
CFc 1875	825	1045	709



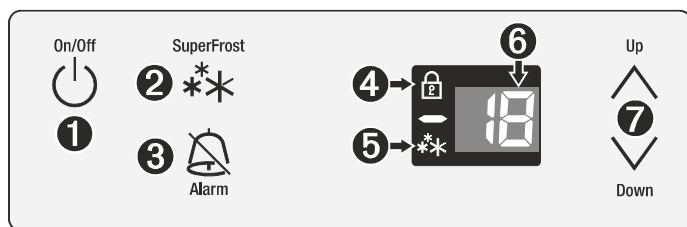
## Saving energy

- Always ensure good ventilation. Do not cover ventilation openings or grille.
- Avoid positioning the appliance in direct sunlight or near cookers, radiators and similar sources of heat.
- The energy consumption depends on the installation conditions, e.g. the ambient temperature.
- Keep the time the appliance is open to a minimum.
- Store **packed** foods logically.
- Keep all food properly packed and covered so as to avoid its frosting up on the outside.
- Always allow hot food to cool to room temperature before **packed** placing in the appliance.
- If there is a thick layer of frost in the appliance: defrost the appliance.

Accumulated dust increases the energy consumption:

- Regularly clean the motor compartment ventilation openings to keep them free from dust.

## Operating and control elements



- 1 On/Off button
- 2 SuperFrost button
- 3 Audible warning on/off button
- 4 Child lock LED
- 5 SuperFrost LED
- 6 Temperature display
- 7 Temperature setting buttons

## Switching the appliance on and off

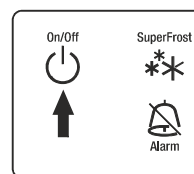
You are recommended to clean the appliance before switching it on for the first time (see **Cleaning**).

**To switch the appliance on:** Press the **ON/OFF** button until the temperature display lights up.

- The two illuminated dashes of the digital temperature display will light up until a temperature of 0°C is reached.

- If the temperature is below 0°C, the digital temperature display will show the temperature inside the appliance.

- The appliance needs to stay ON for 6 hours before the user can load the frozen foods.

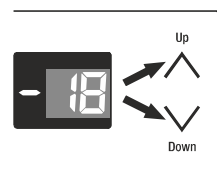


**To switch the appliance off:** Press the **ON / OFF** button for approx. 3 seconds so that the temperature display goes out.

## Setting the temperature

- **To reduce the temperature:** Press the bottom button **Down**.

- **To increase the temperature:** Press the top button **Up**.



- While you are entering the temperature, the set temperature will flash on the display.
- You can change the settings in increments of 1°C briefly pressing the button again. If the buttons are held down the temperature setting will change faster.
- The electronic controls will switch over automatically about 5 seconds after the last time you pressed the button, and the actual temperature in the freezer will be displayed.

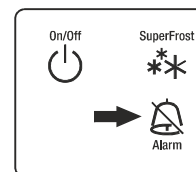
## Audible warning signal

The audible warning device helps to protect the frozen packed food and to save energy.

- It sounds when the lid has been left open for longer than about 60 seconds.

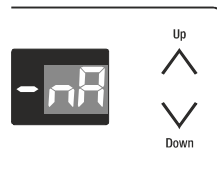
- It sounds when it is not cold enough in the freezer compartment. The temperature display will also flash.

The audible warning device is switched off by pressing the **ALARM** button.



## Power failure display

If **nA** appears in the display and alarm sounds, this means that the freezer temperature has risen too high during the last few hours or days due to a power failure.





To disable **nA** display and alarm, press the **ALARM** button. The alarm will stop immediately and the highest registered temperature during power failure will be displayed. This temperature will be displayed in approximately 1 minute. To cancel immediately this highest temperature display, press again the **ALARM** button and the display will show the actual temperature of the appliance.

Check the quality of the packed food and its suitability for consumption in case it has become too warm or even defrosted.

## EN Set-up mode

In set-up mode you can set the child lock and adjust the brightness of the display. The child lock is designed to protect the appliance from being switched off accidentally.

### Activating the child lock

Press  for 5 seconds. Display = 



 Display = 

 Display = 

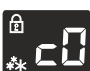
 Display = 

 Display = 

### Deactivating the child lock

Press  for 5 seconds. Display = 



 Display = 

 Display = 

 Display = 

 Display = 

### Adjusting the display brightness

Press  for 5 seconds. Display = 


 Display = 

 Display = 

Use buttons  and  to select the desired setting.

**h1** = minimum brightness  
**h5** = maximum brightness

 Display = 

 The adjusted brightness will be activated after one minute.

#### Note

If a button is pressed, the display lights up for one minute at maximum brightness.

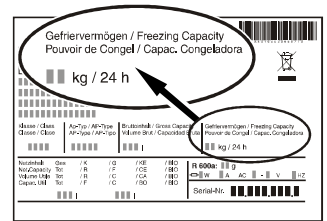
When commissioning the appliance, the adjusted brightness will only be active once the set interior temperature of the appliance has been reached.

## Freezing

Fresh food should be packed and frozen to the core as rapidly as possible. This is provided by the SuperFrost facility.

The maximum amount of food in kg which can be frozen in 24 hours is shown on the type plate (Freezing capacity).

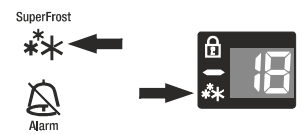
Note : The upper stacking limit is the top level of the basket!



## SuperFrost

The SuperFrost function is used to shorten the freezing time of fresh foods.

Press the **SuperFrost** button. The SuperFrost lamp comes on.



To use **SuperFrost** function :

- For small amount of fresh food approximately 2-5kg, press the **SuperFrost** button 6 hours earlier before loading the fresh food.
- For large amount of fresh food more than 5kg, press the **SuperFrost** button 24 hours earlier before loading the fresh food.

**Note** : The **SuperFrost** function switches off automatically. Depending on the quantity of food placed in the freezer, this will normally between 48 and max. 72 hours. When you press the SuperFrost button, the compressor might not switch on for up to 8 minutes. This is due to the integrated rise-delay switch which is designed to increase the life span of the refrigeration unit.

To save energy, SuperFrost can be switched off before the 48 hours have elapsed by pressing the SuperFrost button again. Ensure that the temperature is at least -18°C.

#### You should not switch on the SuperFrost function:

- when placing frozen food in the freezer;
- when freezing up to approx. 2 kg fresh food daily.

## Notes on freezing

- Always store identical food items together.
- Pack** food which you are freezing yourself in quantities appropriate to your household. To ensure that the food freezes right through, the following quantities should not be exceeded per package: fruit, vegetables: up to 1 kg, meat: up to 2.5 kg.
- In order to achieve fast freezing, food should be in contact with the interior walls when it is placed in the freezer.
- Pack** frozen food in standard freezer bags or reusable plastic, metal or aluminium containers.
- Do not allow fresh food which is to be frozen to come into contact with food already frozen. Always keep packs dry in order to avoid them sticking together.
- Always write the date and contents on the pack and do not exceed the stated storage time for the food.
- Do not freeze bottles and cans which contain carbonated drinks as they might burst.
- Only take out as much food as is immediately required for thawing. Use food which has been thawed in prepared meals as quickly as possible.

Frozen food can be thawed in the following ways:

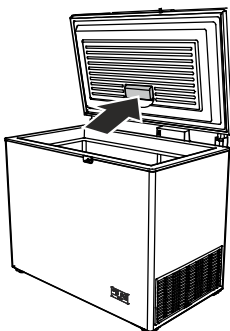
- in a fan oven
- in a microwave oven
- at room temperature
- in the refrigerator

## Equipment

### Interior LED light

An LED lamp is fitted as standard to illuminate the interior of the appliance.

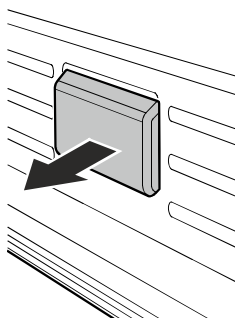
The interior light switches on automatically when the lid is opened and switches off again when it is closed.



### Replacing the lamp

If the lamp is defective, it can be replaced taking into account the following points.

1. Pull out the plug or switch off the fuse.
2. Remove the cover panel in the direction of the arrow.



Only original LED lamps from the appliance manufacturer may be used. The lamp can be purchased from the customer service department or specialist dealers.

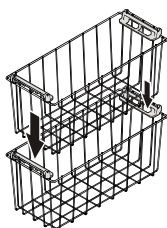
### **⚠ WARNING!**

**When using LED lamps made by other manufacturers, there is a risk of overheating or fire.**

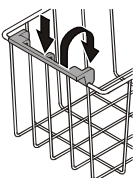
### Baskets

Thanks to the possibility of adjusting the handles, the baskets can be used for different applications:

The baskets can be suspended in the frame of the freezer by their handles.



The baskets can be placed on top of one another, by sitting the upper basket on the handles that are folded inwards. To do this, press the handle down, lift and tilt it inwards.

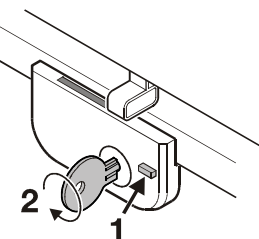


### Lock

The lock is only fitted for CFd model. Similar lock can be installed to Cff model as retrofitted. The lock is equipped with a safety mechanism.

### Locking the appliance

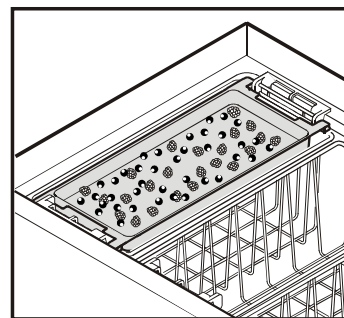
- 1 Press the button and keep it depressed.
- 2 Turn the key 90°.



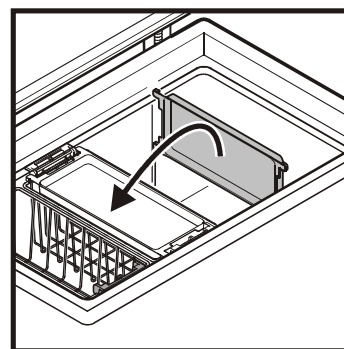
### Freezer tray

With the freezer tray, small frozen food items (berries, herbs, chopped vegetables) can be gently frozen.

Spread the frozen items out on the freezer tray (pieces of fruit do not stick together and so keep their shape).



The freezer tray can either be suspended on the basket or can be slid into the interior container and used as a partition.



### Cold-storage accumulators

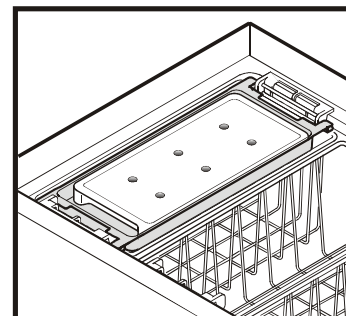
In the event of a power failure, the cold-storage accumulator delays the temperature increase in the freezer compartment.

When switching on for the first time, insert the accumulator in direct contact with the interior container side walls and the interior container floor so that it freezes quickly.

When the accumulator is completely frozen, position it at the top of the interior container.

To do this, place the freezer tray containing the accumulator in one of the top baskets.

If the freezer tray continues to be needed as a partition, place the accumulator in the basket directly on top of the frozen goods.



The accumulator only provided in CFd model. Additional accumulator can be purchased from the customer service department or specialist dealers.

## EN

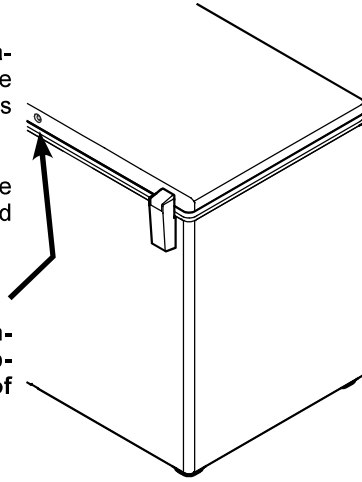
### StopFrost system

This system reduces the formation of frost or ice so that the appliance needs defrosting less frequently.

The formation of frost or ice depends on the operating and ambient conditions.

#### Important note

To ensure correct functioning, the opening of the Stop-Frost system at the back of the lid must not be closed.

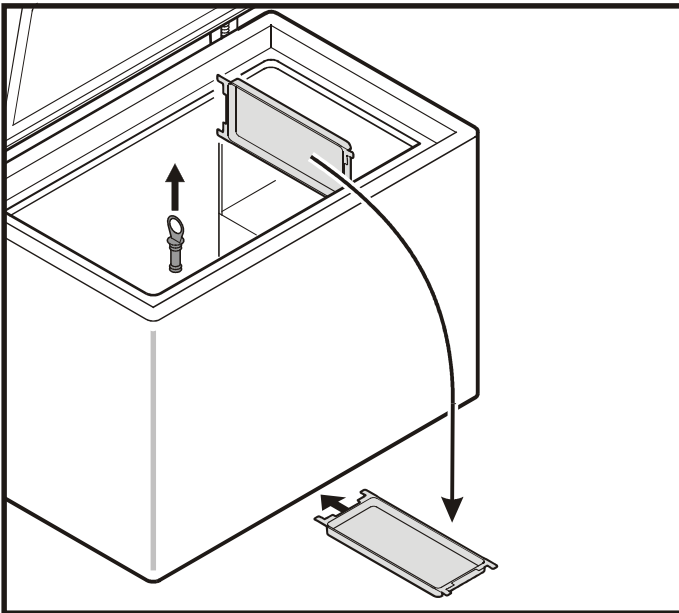


### Defrosting

After the appliance has been in operation for some time, a layer of frost or ice will form on the inside walls. This increases energy consumption.

- Switch on SuperFrost the day before defrosting to give the food a cold boost.
- Switch the appliance off to defrost. Pull out the mains plug.
- Wrap the frozen food, possibly still in the freezer basket, in paper or blankets and store in a cool place.
- Remove the plug from the drain opening. Remove the dividing wall or freezer tray and place underneath the appliance so that the defrosted water escapes through the drain opening into the dividing wall or the freezer tray.
- Leave the lid open while defrosting. After defrosting mop up the remaining water and clean the appliance.

**Do not use any mechanical devices or other artificial aids for defrosting other than those recommended by the manufacturer.**



### Cleaning

A failure to follow these instructions may result in the food being spoilt.

Before cleaning, always disconnect the appliance from the mains. Pull out the plug or switch off the fuse.

Surfaces in food storage area must be cleaned at regular intervals. Only store foods that have been packed.

If the door is left open for a lengthy period, the temperature in the appliance's compartments may rise dramatically.

- Clean the inside, equipment parts and outer walls with lukewarm water and a little detergent. Do not use chemical solvents or any cleaning agents containing sand or acid.

- Motor compartment ventilation
  - Don't open the cover.
  - Clean the ventilation holes by using vacuum cleaner or brush.
  - Advisable to clean after 3 to 6 month.

#### ⚠ CAUTION

Risk of damage to the appliance components and risk of injury due to hot steam.

Do not use steam cleaning equipment to clean the appliance.

- Ensure that no cleaning water penetrates into the electrical components or ventilation grille.
- Dry all parts well with a cloth.
- The ventilation grilles should be cleaned regularly. Dust deposits increase energy consumption. Ensure that none of the wires or other components are dislodged, bent or damaged.
- Do not damage or remove the type plate on the rear side of the appliance. It is very important for servicing purposes.

If the appliance is left empty for a lengthy period, it must be switched off, defrosted, cleaned and dried and the door is to be left open to prevent mould formation.



## Malfunctions

Your appliance is designed and manufactured for a lengthy, reliable operating life with no malfunctions. If a malfunction nonetheless occurs during operation, check whether it is due to an operating error. Please note that even during the warranty period the resultant servicing costs in this case will have to be borne by the owner.

You may be able to rectify the following faults yourself:

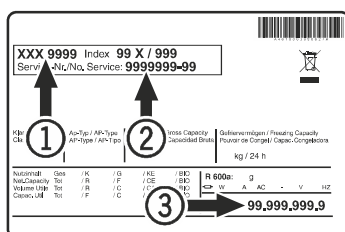
- **Appliance does not function:** the control lamps are not lit.
  - Is the plug correctly fitted in the mains socket?
  - Is the fuse intact?
- **Loud running noise:**
  - Is the appliance set up firmly on the floor?
  - Does the appliance cause nearby items of furniture or objects to vibrate? Please note that noises caused by the refrigerant circuit cannot be avoided.
- **The temperature is not low enough:**
  - Is the temperature setting correct (see Setting the temperature)?
  - Have excessive amounts of fresh food been placed in the appliance? Observe the temperature display for a further 24 hours.
  - Does the separately installed thermometer show the correct reading?
  - Is the ventilation system working properly?
  - Is the appliance set up too close to a heat source?

If F4 or F5 appears in the display, the appliance has suffered a fault. In this case, contact the customer service department.

If none of the above causes apply and you cannot rectify the fault yourself, contact the nearest customer service department stating the type of

appliance ①, service number

② and appliance number ③ as indicated on the type plate.



The position of the type plate is shown in the section entitled **Description of the appliance**.

## Shutting your appliance down

If your appliance is to be shut down for any length of time, switch it off and disconnect the plug or switch off or unscrew the fuse.

Clean the appliance and leave the lid open in order to prevent unpleasant smells.

The appliance complies with the relevant safety regulations and EU Directives 2014/30/EU, 2014/35/EU, 2009/125/EG and 2011/65/EU.