

Haier

HSR3918EN*

HSR3918EW*

HSR3918FN*

HSR5918DN*

HSR5918DW*

*=PW,PB,PL,PG,PN,MP,MB



Refrigerator
User Guide

Chladnička
Uživatelská příručka

Chladnička
Príručka pre používateľa

الثلاجة
دليل المستخدم

EN

CZ

SK

العربية



EN WARNING: Risk of fire/flammable material.

The symbol indicates there is a risk of fire since flammable materials are used. Take care to avoid causing a fire by igniting flammable material.

CZ VAROVÁNÍ: Nebezpečí Požáru/ Hořlavého Materiálu. Symbol označuje riziko požáru, protože byly použity hořlavé materiály. Dbejte na to, aby nedošlo ke vzniku požáru zapálením hořlavého materiálu.

SK VAROVANIE: Nebezpečenstvo požiaru/horľavý materiál. Symbol označuje nebezpečenstvo požiaru, pretože sa používajú horľavé materiály. Dávajte pozor, aby ste zabránili vzniku požiaru vznietením horľavého materiálu.



User Manual

Refrigerator-Freezer

HSR3918EN*

HSR3918EW*

HSR3918FN*

HSR5918DN*

HSR5918DW*

*=PW,PB,PL,PG,PN,MP,MB

Haier

GB

Thank you for purchasing a Haier Product.

Please read these instructions carefully before using this appliance. The instructions contain important information which will help you get the best out of the appliance and ensure safe and proper installation, use and maintenance.

Keep this manual in a convenient place so you can always refer to it for the safe and proper use of the appliance.

If you sell the appliance, give it away, or leave it behind when you move house, make sure you also pass this manual so that the new owner can become familiar with the appliance and safety warnings.

Legend

Warning – Important Safety information



General information and tips

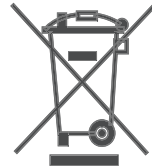


Environmental information



Disposal

Help protect the environment and human health. Put the packaging in applicable containers to recycle it. Help to recycle waste of electrical and electronic appliances. Do not dispose appliances marked with this symbol with the household waste. Return the product to your local recycling facility or contact your municipal office.



WARNING!

Risk of injury or suffocation!

Refrigerants and gases must be disposed of professionally. Ensure that the tubing of the refrigerant circuit is not damaged before being properly disposed of. Disconnect the appliance from the mains supply. Cut off the mains cable and dispose of it. Remove the trays and drawers as well as the door catch and seals, to prevent children and pets to get closed in the appliance.

Old appliances still have some residual value. An environmentally friendly method of disposal will ensure that valuable raw materials can be recovered and used again.

Cyclopentane, a flammable substance not harmful to ozone, is used as an expander for the insulating foam.

By ensuring this product is disposed of correctly, you will help prevent potential negative consequences for the environment and human health, which could otherwise be caused.

For more detailed information about recycling of this product, please contact your local council, your household waste disposal service or the shop where you purchased the product, handled by the professionals.

1- Safety information.....	4
2- Intended use	8
3- Product description	10
4- Control panel.....	11
5- Use.....	12
6- Energy saving tips	20
7- Equipment	21
8- Care and cleaning	23
9- Trouble shooting	25
10- Installation.....	28
11- Technical data	31
12- Customer service.....	32

Before switching on the appliance for the first time read the following safety hints!:



WARNING!

Before first use

- ▶ Make sure there is no transport damage.
- ▶ Remove all packaging and keep out of children's reach.
- ▶ Wait at least two hours before installing the appliance in order to ensure the refrigerant circuit is fully efficient.
- ▶ Handle the appliance always with at least two persons because it is heavy.

Installation

- ▶ The appliance should be placed in a well-ventilated place. Ensure a space of at least 20 cm above and 10 cm around the appliance.
- ▶ Never place the appliance in a damp area or location where it might be splashed with water. Clean and dry water splashes and stains with a soft clean cloth.
- ▶ Do not install the appliance in direct sunlight or in the near of heat sources (e.g. stoves, heaters).
- ▶ Install and level the appliance in an area suitable for its size and use.
- ▶ Keep ventilation openings in the appliance or in the in-built structure clear of obstruction.
- ▶ Make sure that the electrical information on the rating plate agrees with the power supply. If it does not, contact an electrician.
- ▶ The appliance is operated by a 220-240 VAC/50 Hz power supply. Abnormal voltage fluctuation may cause the appliance to fail to start, or damage to the temperature control or compressor, or there may be an abnormal noise when operating. In such case, an automatic regulator shall be mounted.
- ▶ Use a separate earthed socket for the power supply which is easy accessible. The appliance must be earthed.
- ▶ **Only for UK:** The appliance's power cable is fitted with 3-cord (grounding) plug that fits a standard 3-cord (grounded) socket. Never cut off or dismantle the third pin (grounding). After the appliance is installed, the plug should be accessible.
- ▶ Do not use multi-plug adapters and extension cables.
- ▶ Ensure that the power cable is not trapped by the appliance. Do not step on the power cable.
- ▶ Do not damage the refrigerant circuit.
- ▶ Do not locate multiple portable socket-outlets or portable power supplies at the rear of the appliance.



WARNING!

Daily use

- ▶ This appliance can be used by children aged from 8 years and above and persons with reduced physical, sensory or mental capabilities or lack of experience and knowledge if they have been given supervision or instruction concerning use of the appliance in a safe way and understand the hazards involved.
- ▶ Children aged from 3 to 8 years are allowed to load and unload refrigerating appliances, but not allowed to clean and install the refrigerating appliances.
- ▶ Keep away children under 3 years of age from the appliance unless they are constantly supervised.
- ▶ Cleaning and user maintenance shall not be made by children without supervision.
- ▶ Children shall not play with the appliance.
- ▶ The appliance must be positioned so that the plug is accessible.
- ▶ If coal gas or other inflammable gas is leaking in the vicinity of the appliance, turn off the valve of the leaking gas, open the doors and windows and do not unplug a plug in the power cable of the appliance or any other appliance.
- ▶ Notice that the appliance is set for operation at a specific ambient range between 10 and 38°C. The appliance may not work properly if it is left for a long period at a temperature above or below the indicated range.
- ▶ Do not place unstable articles (heavy objects, containers filled with water) on top of the appliance, avoid personal injury caused by falling or electric shock caused by contact with water.
- ▶ Do not pull on the door shelves. The door may be pulled slant, the bottle rack, may be pulled away, or the appliance may topple.
- ▶ Open and close the doors only with the handles. The gap between the doors and between the doors and the cabinet is very narrow. Do not extend your hands in these areas to avoid pinching your fingers. Open or close the doors only when there are no children standing within the range of door movement.
- ▶ Do not store or use inflammable, explosive or corrosive materials in the appliance or in the vicinity.
- ▶ Do not store medicines, bacteria or chemical agents in the appliance. This appliance is a household appliance. It is not recommended to store materials that require strict temperatures.
- ▶ Never store liquids in bottles or cans (besides high percentage spirits) especially carbonated beverages in the freezer, as these will burst during freezing.



WARNING!

Daily use

- ▶ Check the condition of food if a warming in the freezer has taken place.
- ▶ Do not set unnecessarily low temperature in the refrigerator compartment. Minus temperatures may occur at high settings. Attention: Bottles can burst.
- ▶ Do not touch frozen goods with wet hands (wear gloves). Especially do not eat ice lollies immediately after removal from the freezer compartment. There is the risk to freeze or the formation of frost blisters. FIRST aid: keep immediately under running cold water. Do not pull away!
- ▶ Do not touch the inside surface of the freezer storage compartment when in operation, especially with wet hands, as your hands may freeze onto the surface.
- ▶ Unplug the appliance in the event of a power interruption or before cleaning. Allow at least 5 minutes before restarting the appliance, as frequent starting may damage the compressor.
- ▶ Do not use electrical devices inside the food storage compartments of the appliance, unless they are of the type recommended by the manufacturer.
- ▶ Only use drinking water with models with water dispenser.

Maintenance / cleaning

- ▶ Make sure children are supervised if they carry out cleaning and maintenance.
- ▶ Disconnect the appliance from the electrical supply before undertaking any routine maintenance. Allow at least 5 minutes before restarting the appliance, as frequent starting may damage the compressor.
- ▶ Hold the plug, not the cable, when unplugging the appliance.
- ▶ Do not scrape off frost and ice with sharp objects. Do not use sprays, electric heaters like heater, hair dryer, steam cleaners or other sources of heat in order to avoid damage to the plastic parts.
- ▶ Do not use mechanical devices or other means to accelerate the defrosting process, other than those recommended by the manufacturer.
- ▶ Do not clean the appliance with hard brushes, wire brushes, detergent powder, petrol, amyl acetate, acetone and similar organic solutions, acid or alkaline solutions. Please clean with special refrigerator detergent to avoid damage.
- ▶ Eventually use warm water and baking soda solution - about a tablespoon of baking soda to a liter/quart of water. Rinse

thoroughly with water and wipe dry. Do not use cleaning powders or other abrasive cleaners. Do not wash removable parts in a dishwasher



WARNING!

Maintenance / cleaning

- ▶ If the supply cord is damaged, it must be replaced by the manufacturer, its service agent or similarly qualified persons in order to avoid a hazard.
- ▶ Do not try to repair, disassemble or modify the appliance by yourself. In case of repair please contact our customer service.
- ▶ If the illuminating lamps are damaged, it must be replaced by the manufacturer, its service agent or similarly qualified persons in order to avoid a hazard.
- ▶ Eliminate the dust on the back of the unit at least once in the year to avoid hazard by fire, as well as increased energy consumption.
- ▶ Do not spray or flush the appliance during cleaning.
- ▶ Do not use water spray or steam to clean the appliance.
- ▶ Do not clean the cold glass shelves with hot water. Sudden temperature change may cause the glass to break.
- ▶ If you leave your appliance out of use for an extended period, leave it open to prevent odour and unpleasant smells building up inside.

Refrigerant gas information



WARNING!

The appliance contains the flammable refrigerant ISOBUTANE (R600a). Make sure the refrigerant circuit is not damaged during transportation or installation. Leaking refrigerant may cause eye injuries or ignite. If a damage has occurred, keep away open fire sources, thoroughly ventilate the room, do not plug or unplug the power cords of the appliance or any other appliance. Inform the customer service.

In case of eyes get into contact with the refrigerant, rinse immediately it under running water and call immediately the eye specialist.

WARNING: The refrigeration system is under high pressure. Do not tamper with it. Since the flammable refrigerants are used, please, install, handle and service the appliance strictly according to the instruction and contact the professional agent or our after-sales service to dispose of the appliance.


2.1 Intended use

This appliance is intended to be used in household and similar applications such as

- staff kitchen areas in shops, offices and other working environments;
 - farm houses and by clients in hotels, motels and other residential type environments;
 - bed and breakfast type environments;
 - catering and similar non-retail applications.
- If the appliance is not used for an extended period of time, and you will use only the Holiday-function or the fridge off function for the refrigerator/freezer:
- Take out the food.
 - Unplug the power cord.
 - Empty and clean the watertank.
 - Clean the appliance as described above.
 - Keep the doors open to prevent the creation of bad odours inside.
- To ensure the safe preservation of foodstuffs or wine, please comply with this instruction to use.
- To avoid contamination of food (not valid for the wine cellar), please respect the following instructions:
- Opening the door for long periods can cause a significant increase of the temperature in the compartments of the appliance.
 - Clean regularly surfaces that can come in contact with food and accessible drainage systems.
 - Clean water tanks if they have not been used for 48 h; flush the water system connected to a water supply if water has not been drawn for 5 days.
 - Store raw meat and fish in suitable containers in the refrigerator/freezer, so that it is not in contact with or drip onto other food. To ensure the safe preservation of foodstuffs, instant food and raw meat / fish shall be stored separately.
 - Two-star frozen-food compartments are suitable for storing pre-frozen food, storing or making ice cream and making ice cubes.
 - One-, two- and three-star compartments are not suitable for the freezing of fresh food.
 - If the refrigerating appliance is left empty for long periods, switch off, defrost, clean, dry, and leave the door open to prevent mould developing within the appliance.
- The details on the most appropriate part in the compartment of the appliance where specific types of food shall be stored, considering the distribution of temperature that can be present in the different compartments of the appliance are in the part of the other manual.

Disposal



The  symbol on the product or on its packaging indicates that this product may not be treated as household waste. Instead it shall be handed over to the applicable collection point for the recycling of electrical and electronic equipment. By ensuring this product is disposed of correctly, you will help prevent potential negative consequences for the environment and human health, which could otherwise be caused by inappropriate waste handling of this product. For more detailed information about recycling of this product, please contact your local city office, your household waste disposal service or the shop where you purchased the product.

Since the flammable insulation blowing gases are used, please contact the professional agent or our after-sale service to dispose of the appliance.

WARNING!

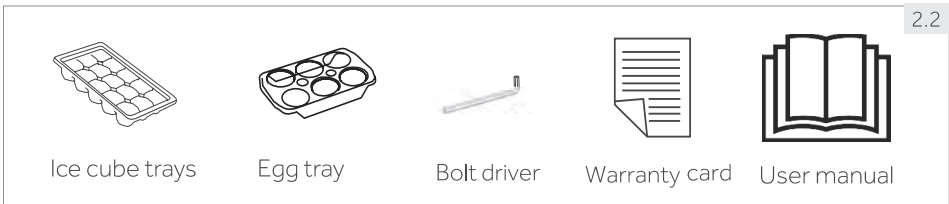
Risk of injury of suffocation!

Refrigerants and gases must be disposed of professionally. Ensure that the tubing of the refrigerant circuit is not damaged before being properly disposed of. Disconnect the appliance from the mains supply. Cut off the mains cable and dispose of it. Remove the trays and drawers as well as the door catch and seals to prevent children and pets to get closed in the appliance.

Changes or modifications to the device are not allowed. Unintended use may cause hazards and loss of warranty claims.

2.2 Accessories

Check the accessories and literature in accordance with this list (Fig. 2.2):

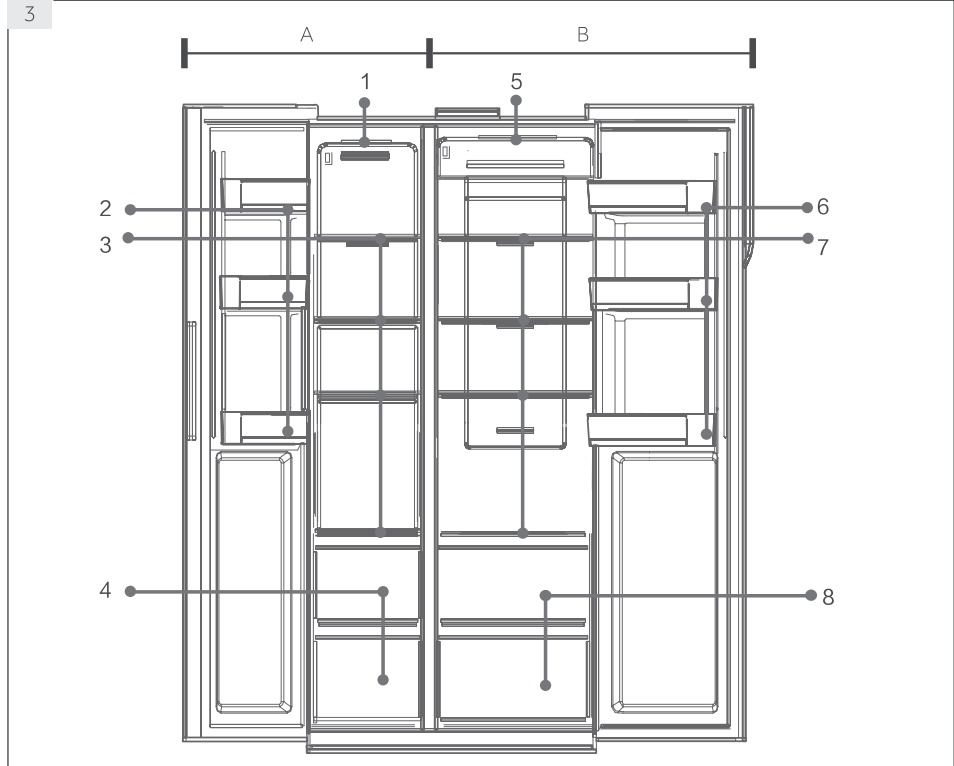




Notice

Due to technical changes and different models, some of the illustrations in this manual may differ from your model.

Pictures of appliances (Fig. 3)



A: Freezer compartment

- 1 Ceiling lamp
- 2 Door rack/bottle holder
- 3 Freezer Shelves
- 4 Freezer Box

B: Fridge compartment

- 5 Ceiling lamp
- 6 Door rack/bottle holder
- 7 Fridge Shelves
- 8 Fridge Box
- 9 Water tank



4- Control panel

GB

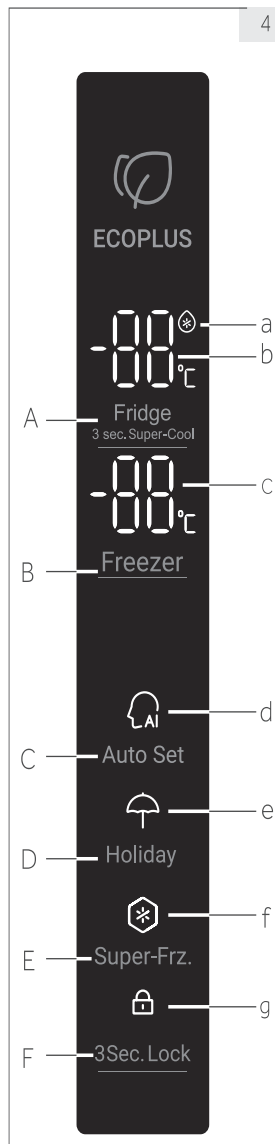
Control panel (Fig. 4)

Keys:

- A Fridge selector
- B Freezer selector
- C Auto Set mode
- D Holiday mode
- E Super-Freeze mode
- F Panel lock selector

Indicators:

- a Super-Cool mode
- b Fridge Temperature
- c Freezer Temperature
- d Auto Set mode
- e Holiday mode
- f Super-Freeze mode
- g Panel lock



5.1. First Use

When the refrigerator first connects with power, the display is on. The default temperature for fridge compartment is 4°C, and freezer is -18°C. The intelligence function light is on.

5.2. Lock/ Unlock Panel

Automatic Lock:

When the fridge door and the freezer door are closed, and there is no operation on any button for 30s, the panel light will automatically turn off, and the panel is locked.

Manual Lock:

When the panel is unlocked, press the Lock button for 3 seconds, and the buzzer make a buzzing sound, the lock indicator is on, and then the display is locked.

3Sec. Lock → 

Press for 3 sec. indicator is on
Panel is locked

Unlock:



When the panel is off, open any door of the refrigerator or touch any button on the control panel, the panel will light up. At this time, the panel is locked. Press the lock function button for 3 seconds, the buzzer will sound, the lock indicator is off and the panel is unlocked.

 → 3Sec. Lock → 

The Panel is on Hold 3 sec The indicator is off The
Open the door or Panel is unlocked
Press any button

5.3. Adjust the temperature for fridge

1. When the control panel is unlocked, press the "Fridge selector", and the buzzer sounds, Fridge temperature indicator flashes. Now the fridge temperature can be set.
2. Then every press of the fridge selector, the buzzer sounds, and the setting downshifts by 1. The shift sequence is in a continuous loop as "4°C / 3°C / 2°C / 1°C / 9°C / 8°C / 7°C / 6°C / 5°C / 4°C"

Fridge →  → Fridge → 
Press once flashing Press once Setting done
In setting condition

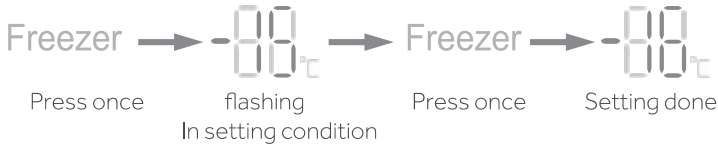


Notice

- The appliance is preset to the recommended temperature of 4°C (refrigerator) and -18°C (freezer). Under normal ambient conditions you do not need set a temperature.

5.4. Adjust the temperature for freezer

1. When the control panel is unlocked, press the "Freezer selector", and the buzzer sounds, Freezer temperature indicator flashes. Now the freezer temperature can be set.
2. Then every press of the freezer selector, the buzzer sounds, and the temperature down shifts by 1. the shift sequence is in a continuous loop as "-18°C/-19°C/-20°C/-21°C/-22°C/-23°C/-24°C/-14°C/-15°C/-16°C/-17°C/-18°C".



Notice

- ▶ The temperature is set, if no button is pressed in 5 seconds, the temperature will be automatically confirmed and saved.

5.5. Auto set

1. When the control panel is unlocked, press the "Auto set mode selector", and the buzzer sounds Auto set mode indicator is on, Auto set mode starts.
2. When Auto set mode indicator is on, press the Auto set mode selector, and the buzzer sounds, the Auto set mode indicator is off, and Auto set mode closes.



Notice

- ▶ When the Auto set mode is on, the fridge temperature and the freezer temperature can not be selected. When the fridge selector or the freezer selector is pressed, Auto set mode indicator flashes with sounds reminding that the operation is not allowed. With the Auto set mode if the fast cool, fast freeze or holiday function is selected, the Auto set mode is off, and Auto set mode automatically closes.

5.6. Holiday mode

Holiday mode is designed for the situation that the refrigerator will not be used for long time. When the holiday mode is on, the freezer temperature can be selected, while the fridge temperature is automatically set as 17°C, which avoids any odor due to high temperature in fridge compartment, and also saves energy consumption.

1. When the control panel is unlocked, press the "Holiday mode selector", and the buzzer sounds, Holiday Function indicator is on. Holiday mode starts.
2. When Holiday mode indicator is on, press the Holiday Function selector, and the buzzer sounds, the Holiday mode indicator is off, and Holiday mode closes.



Notice

- ▶ When the Holiday mode is on, the fridge temperature can not be selected. When the fridge selector is pressed, Holiday mode indicator flashes with sounds reminding that the operation is not allowed. Before the holiday mode is selected, please empty the fridge compartment to avoid any food deterioration. With the holiday mode on, the intelligence function and fast cool can not be simultaneously selected. If intelligence mode or fast cool is selected, the holiday mode indicator is off and the function automatically closes.

5.7. Super-Cool mode

1. When the control panel is unlocked, press the "Fridge selector" for 3 seconds, and the buzzer make a buzzing sound, super cool indicator illuminates. Super-cool starts.
2. When super-cool indicator on, press the fridge selector for 3s, the buzzer make a sound, the super-cool indicator is off. Super cool mode closes
3. When the super-cool mode is on, the refrigerator will automatically switch to the super-cool mode off state after the super-cool mode reaches the set condition. If you want to exit manually, you can press the fridge selector for 3s to turn off the super-cool mode.



Notice

- ▶ With the super-cool function on, the Fuzzy mode and holiday mode can not be simultaneously selected. If Fuzzy mode or holiday mode is selected, the super-cool indicator is off and the super-cool automatically closes.
- ▶ The super-cool function will be automatically disabled when the function has lasted for more than 6 hours.

5.8. Super-Freeze Mode

1. When the control panel is unlocked, press the Super-freeze selector, and the buzzer sounds, the Super-freeze indicator illuminates. Super-freeze mode starts.
2. With Super-freeze indicator on, press the Super-freeze selector, the buzzer sounds, the Super-freeze indicator is off. Super-freeze mode closes.
3. When the Super-freeze mode is on, the refrigerator will automatically switch to the Super-freeze mode off state after the Super-freeze mode reaches the set condition. If you want to exit manually, you can press the Super-freeze selector for 3s to turn off the Super freeze mode.



Notice

- ▶ Super-freeze mode is designed to sustain the nutrients of the food in the freezer compartment, and the food is frozen within shortest time. If a large amount of food is to be frozen at one time, it is recommended to set the Super-freeze mode 24 hours in advance to reach to a lower temperature in the freezer compartment before the food is put in. Under this condition, the freezing speed in the freezer compartment is increased, and the food can be quickly frozen, thereby effectively locking the nutrition of the food and facilitating storage.
In the Super freeze condition, if you want to choose the intelligence function, the Super freeze indicator is off, and the Super-freeze mode closes automatically.
- ▶ The super-freeze function will automatically switch off after 50 hours. The appliance is then operated at the previously set temperature.

5.9. Open door alarm

When the door opening time is too long or the door is not closed, the refrigerator will emit a drip alarm every time and then to remind you to close the door in time.

5.10. Energy-saving of control panel

No operation on the control panel for 30 seconds, the panel will be automatically off and enter into the locked state, which can save power. When the lock function button is pressed or any door is opened, the control panel will be illuminated.

5.11. Power failure memory function

When the refrigerator is powered off, the momentary working state of the power failure is memorized. After the power is connected again, the refrigerator continues to work according to the shift and functional status set before the power failure.

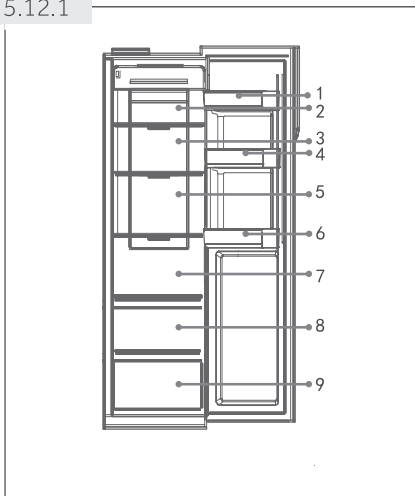
Attention: The lock function is not memorized. After the refrigerator is powered on again, the control panel starts self-checking, the lock function indicator is off, and the refrigerator is unlocked.

5.12 Tips on storing fresh food

5.12.1 Storing into the fridge compartment

- ▶ Keep your fridge temperature below 5°C.
- ▶ Hot food must be cooled to room temperature before storing in the appliance.
- ▶ Foods stored in the fridge should be washed and dried before storing
- ▶ Food to be stored should be properly sealed to avoid odour or taste alterations.
- ▶ Do not store excessive quantities of food. Leave spaces between foods to allow cold air flowing around them, for a better and more homogeneous cooling.
- ▶ Foods eaten daily should be stored at the front of the shelf.
- ▶ Leave a gap between foods and the inner walls, allowing air flowing. In special way don't store foods against the rear wall: foods could freeze against rear wall. Avoid direct contact of food (especially oily or acidic food) with the inner liner, as oil/acid can erode the inner liner. Clean away oily/acid dirt whenever it is found.
- ▶ Defreeze frozen food in the fridge storage compartment. This way, you can use the frozen food to decrease the temperature in the compartment and save energy.
- ▶ The ageing process of fruit and vegetables such as courgettes, melons, papaya, banana, pineapple, etc. can be accelerated in the fridge. Therefore, it is not advisable to store them in the fridge. However, the ripening of strongly green fruits can be promoted for a certain period. Onions, garlic, ginger and other root vegetables should also be stored at room temperature.
- ▶ Unpleasant odours inside the fridge are a sign that something has spilled and cleaning is required. See CARE AND CLEANING.
- ▶ Different foods should be placed in different areas according to their properties (Fig. 5.12.1):

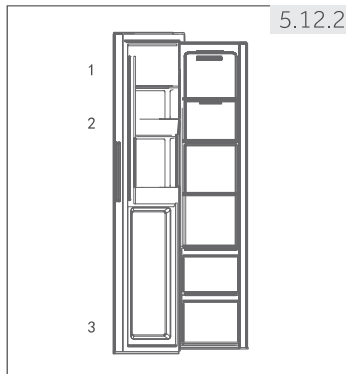
5.12.1



- 1 Butter, cheese, etc.
- 2 Pickled foods, canned food, etc.
- 3 Pickled foods, canned food, etc.
- 4 Cans, canned food, spices, etc.
- 5 Meat products, snack foods, etc.
- 6 Drinks and bottled foods.
- 7 Pasta, canned food, milk, tofu, dairy etc.
- 8 Fruits, vegetables, salad, etc
- 9 Cooked meat,sausages,etc

5.12.2 Storage into the freezer compartment

- ▶ Keep the freezer temperature at -18°C.
- ▶ 24 hours before freezing switch on the Super-Freeze function; -for small quantities of food 4-6 hours are sufficient.
- ▶ Hot food must be cooled to room temperature before storing in the freezer compartment.
- ▶ Food cut into small portions will freeze faster and be easier to defrost and cook. The recommended weight for each portion is less than 2.5 kg
- ▶ It is better to pack food before putting it into the freezer. The outside of the packaging must be dry to avoid bags sticking together. Packaging materials should be odour-free, airtight, non-poisonous and nontoxic.
- ▶ In order to avoid expiration of storage periods, please note the freezing date, time limit and name of the food on the packaging according to the storage periods of different foods.
- ▶ **WARNING!** Acid, alkali and salt etc. could erode the internal surface of the freezer. Do not place the food having these substances (e.g. sea fish) directly on the internal surface. Salt water in the freezer should be cleaned up immediately.
- ▶ Do not exceed the food storage times recommended by the manufacturers. Only take the required amount of food out of the freezer.
- ▶ Different foods should be placed in different areas according to their properties (Fig. 5.12.2):



- 1 Less weighty items, such as ice cream, vegetables, bread etc.
- 2 Beverage without high alcohol and temporary storage of spirits with a high alcohol content, small parts like Pizza or herbs.
- 3 Large/heavier portions of food, such as meats joints for roasting



Notice: Storage

- ▶ Please keep the distance more than 10 mm between the food placed and the sensor to ensure the cooling effect.
- ▶ Please keep the lowest drawer when the appliance working in order to ensure the cooling effect.
- ▶ The food with ice (like ice cream etc.) should be stored inside the freezer compartment instead of on the bottle holder, for the temperature changes at bottle holder caused by door opening and closing may thaw the food.
- ▶ Consume defrosted food quickly. Defrosted food cannot be re-frozen unless it is first cooked, otherwise it may be less edible.
- ▶ Do not load excessive quantities of fresh food in the freezer compartment. Refer to the freezing capacity of the freezer – See TECHNICAL DATA or data at the type plate.
- ▶ Food can be stored in the freezer at a temperature of at least -18°C for 2 to 12 months, depending on its properties (e.g., meat: 3-12 months, vegetables: 6-12 months)
- ▶ When freezing fresh food, avoid bringing it in contact with already frozen food. Risk of thawing!
- ▶ Defreeze frozen food in the fridge. This way, you can use the frozen food to decrease the temperature in the compartment and save energy.

5.12.3 When storing commercially frozen foods, please follow these guidelines:

- ▶ Always follow manufacturers' guidelines for the length of time you should store food for. Do not exceed these guidelines!
- ▶ Try to keep the length of time between purchase and storage as short as possible to preserve food quality.
- ▶ Buy frozen foods, which have been stored at a temperature of -18 °C or below.
- ▶ Avoid buying food which has ice or frost on the packaging – This indicates that the products might have been partially defrosted and refrozen at some point – temperature rises affect the quality of food.

5.13 Water dispenser (HSR3918EW*/HSR5918DW*)

With the water dispenser cool drinking water can be tapped.
The water tank should be cleaned before first use (see CARE AND CLEANING).

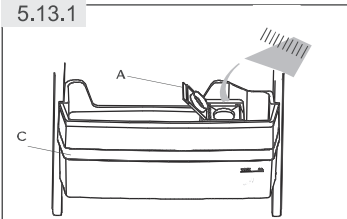
5.13.1 Filling the water tank



WARNING!

Use drinking water only.

5.13.1



1. Ensure that the water tank is properly inserted (see EQUIPMENT)
2. Open the cap (A) and pour fresh drinking water into the water tank (Fig. 5.13.1)
3. Fill water only up to the mark (2.5 l); as it could overflow when the door opens and closes.
4. Close the cap (A) completely.

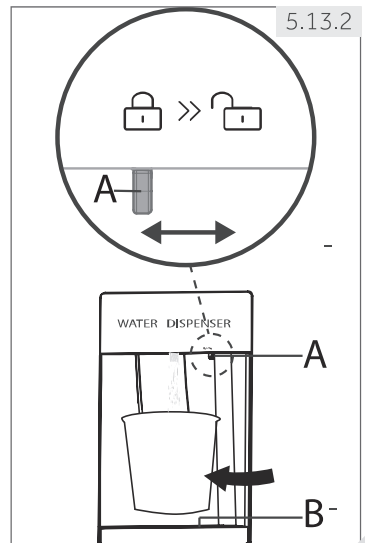


Notice: Water dispenser

- ▶ Before refilling dispose residual water and clean the water tank.
- ▶ When you don't need water for a long time, please empty the water tank and insert the cleaned tank.
- ▶ The cover (C) on the water tank (Fig. 5.13.1) is additionally used to save energy. If you do not want to get water from the water dispenser for a long period, please still install the cover because of better insulating and saving energy.

5.13.2 Getting water from the dispenser

1. Ensure the lock (A) is moved to "Unlock" (Fig. 5.13.2).
2. Place a glass underneath the water outlet.
3. Push it gently against the water dispenser lever with your glass.
Make sure the glass is in line with the dispenser to prevent the water from splashing out.
4. Water in the tray (B) should be removed in time, as it could overflow when the door opens and closes.
5. Slide the lock (A) to position "Lock"

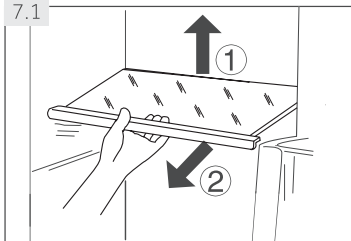




Energy saving tips

- ▶ Make sure the appliance is properly ventilated (see INSTALLATION).
- ▶ Do not install the appliance in direct sunlight or in the near of heat sources (e.g. stoves, heaters).
- ▶ Avoid unnecessarily low temperature in the appliance. The energy consumption increases the lower the temperature in the appliance is set.
- ▶ Functions like Super-Cool or Super-Freeze consume more energy.
- ▶ Allow warm food to cool down before placing it in the appliance.
- ▶ Open the appliance door as little and as briefly as possible.
- ▶ Do not overfill the appliance to avoid obstructing the air flow.
- ▶ Avoid air within the food packaging.
- ▶ Keep door seals clean so that the door always closes correctly.
- ▶ Defreeze frozen food in the fridge storage compartment.
- ▶ The most energy-saving configuration requires the appliance keep drawers, food box and shelves on factory-fresh condition, and food should be placed as far as possible without blocking the air outlet of the duct.

7.1



7.1 Adjustable shelves

The height of the shelves can be adjusted to fit your storage needs.

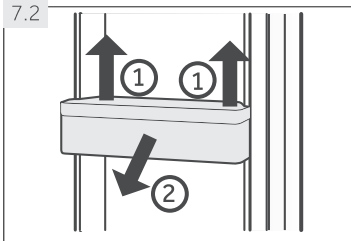
1. To relocate a shelf, remove it first by uplifting its hind edge (1) and pulling it out (2) (Fig. 7.1).
2. To reinstall it, put it on the lugs on both sides and push it to the most rearward position until the rear of the shelf is fixed inside the slots in the sides



Notice: Shelves

Ensure that all ends of a shelf are level.

7.2

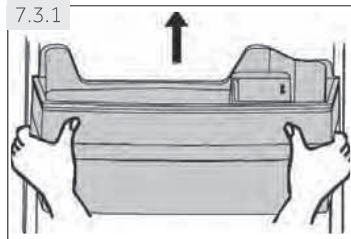


7.2 Removable door racks/bottle holder

The door racks/bottle holder can be removed for cleaning:

1. Place hands on each side of the rack/holder and lift it upwards (1) (Fig. 7.2).
2. Pull the door rack/bottle holder out (2).
3. In order to insert the door rack/bottle holder, the above steps are carried out in reverse order.

7.3.1

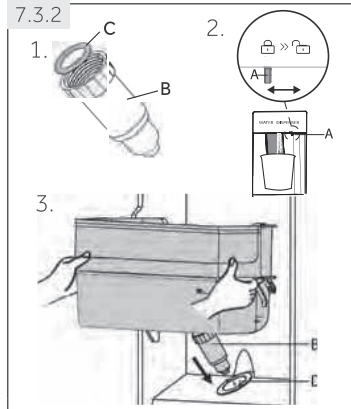


7.3 Water tank (HSR3918EW*/HSR5918DW*)

7.3.1 Remove water tank

The water tank can be removed and reinstalled for cleaning in the same way as the door racks (Fig. 7.3.1).

7.3.2



7.3.2 Insert water tank

1. Make sure the dispenser spout (B) is firmly screwed to the water tank and the white O-ring (C) is in position (Fig. 7.3.2-1.).
2. Slide the lock (A) to position "Lock" (Fig. 7.3.2-2.)
3. Place the water tank in the position that the dispenser spout (B) fits into the opening of the door (D) (Fig. 7.3.2-3.).



Notice: Water tank

- ▶ If the water tank is not properly inserted, water can drip from the connection.
- ▶ Do not use excessive force when removing or installing the water tank, to avoid damaging the tank.

7.4 Bottle holder- freezer compartment

The bottle holders of the freezer compartment are intended for temporary storage of spirits with a high alcohol content. Beverage without high alcohol should be cooled in the fridge.

Additionally you can store small parts in the bottle holders.



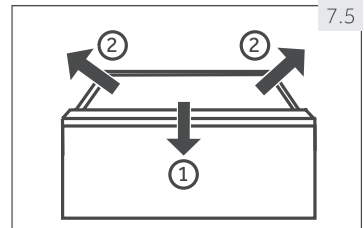
WARNING!

Bottles and cans may burst! Set a timer that will remind you to remove bottles/cans without high alcohol content..

7.5 Removable drawer

To remove the drawer out of the fridge or freezer compartment pull out to the maximum extent (1), lift and remove (2) (Fig. 7.5).

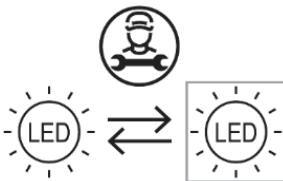
In order to insert the drawer, the above steps are carried out in reverse order.



7.5

7.6 The Light

The LED interior light comes on when the door is opened. The performance of the lights is not affected by any of the appliances other settings.



Replaceable (LED only) light source by a professional

This product contains a light source of energy efficiency class G.

compartment	Voltage	max Power	Energy efficiency class	Model
Refrigerator	12V	1.5W	G	HSR3918EN* HSR3918EW* HSR3918FN*
Freezer	12V	1.5W	G	HSR5918DN* HSR5918DW* *=PW,PB,PL,PG,PN,MP,MB

8- Care and cleaning

GB



WARNING!

Disconnect the appliance from the power supply before cleaning.

8.1 Cleaning

Clean the appliance when only little or no food is stored.

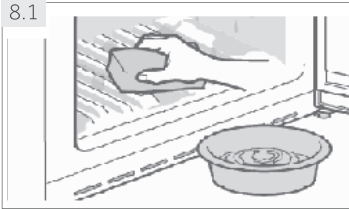
The appliance should be cleaned every four weeks for good maintenance and to prevent bad stored food odors.



WARNING!

- ▶ Do not clean the appliance with hard brushes, wire brushes, detergent powder, petrol, amyl acetate, acetone and similar organic solutions, acid or alkaline solutions. Please clean with special fridge detergent to avoid damage.
- ▶ Do not spray or flush the appliance during cleaning.
- ▶ Do not use water spray or steam to clean the appliance.
- ▶ Do not clean the cold glass shelves with hot water. Sudden temperature change may cause the glass to break.
- ▶ Do not touch the inside surface of the freezer storage compartment, especially with wet hands, as your hands may freeze onto the surface.
- ▶ In case of heating check the condition of frozen goods.

8.1



- ▶ Always keep the door gasket clean.
- ▶ Clean the inside and housing of the appliance with a sponge dampened in warm water and neutral detergent (Fig. 8.1).

1. Please scrub the interior and exterior of the refrigerator, including door sealing, door rack, glass shelves, boxse and so on, with a soft towel or sponge dipped in warm water (you may add neu-tral detergent into the warm water).
 2. If there is liquid spilled, remove all the contaminated parts, directly rinse with the flow water, dry and place it back into the fridge.
 3. If there is spilled cream (such as the cream, melting ice cream), please remove all the contaminated parts, put into the warm water with about 40 °C for some time, then rinse with the flow water, dry and place it back into the fridge.
 4. In case some small part or component gets stucked inside of the fridge (between shelves or drawers), use small soft brush to release it. If you could not reach the part, please contact Haier service.
- ▶ Rinse and dry with soft cloth.
 - ▶ Do not clean any of the parts of the appliance in a dishwasher.
 - ▶ Allow at least 5 minutes before restarting the appliance as frequent starting may damage the compressor.

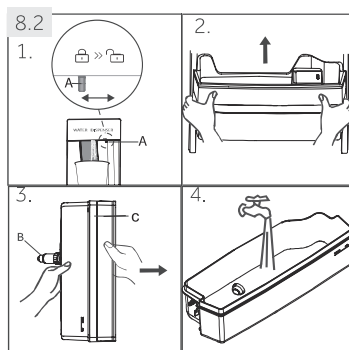
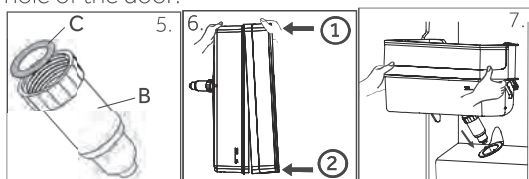
Defrosting

The defrosting of the refrigerator and the freezer compartment are done automatically; no manual operation is needed.

8.2 Cleaning the water tank (Fig. 8.2) (HSR3918EW*/HSR5918DW*)

1. Slide the lock (A) to position  "Lock".

2. Take off the water tank out of the appliance.
3. Remove the cover (C) and unscrew the dispenser spout (B) gently.
4. Clean the water tank and the dispenser spout with warm running water and liquid dishwashing detergent. Make sure all soap is rinsed off.
5. Mount the dispenser spout (B) and take care that it is firmly screwed to the water tank and the white O-ring (C) is in position.
6. Press the cover to combine it with one side of the water tank and then the other side, check water tank and cover is assembled completely.
7. Replace the tank inside the appliance. Make sure the dispenser spout is correctly inserted into the hole of the door.



8.3 Replacing the LED-lamps



WARNING!

Do not replace the LED lamp yourself, it must only be replaced by either the manufacturer or the authorised service agent.

The lamps adopts LED as its light source, featuring low energy consumption and long service life. If there is any abnormality, please contact the customer service. See CUSTOMER SERVICE.

Parameters of the lamps: : 12 V max 3 W.

8.4 Non-use for a longer period

If the appliance is not used for an extended period of time, and you will not use the Holiday-function for the fridge:

- ▶ Take out the food.
- ▶ Empty and clean the water tank.
- ▶ Unplug the power cord.
- ▶ Clean the appliance as described above.
- ▶ Keep the doors open to prevent the creation of bad odours inside.



Notice: Switch off

Turn the appliance off only if strictly necessary.

8.5 Moving the appliance

1. Remove all food and unplug the appliance.
2. Secure shelves and other moveable parts in the fridge and the freezer with adhesive tape.
3. Do not tilt the appliance more than 45° to avoid damaging the refrigerating system.



WARNING!

- ▶ Do not lift the appliance by its handles.
- ▶ Never place the appliance horizontally on the ground.

Many occurring problems could be solved by yourself without specific expertise. In case of a problem please check all shown possibilities and follow below instructions before you contact an after sales service. See CUSTOMER SERVICE.



WARNING!

- ▶ Before maintenance, deactivate the appliance and disconnect the mains plug from the mains socket.
- ▶ Electrical equipment should be serviced only by qualified electrical experts, because improper repairs can cause considerable consequential damages.
- ▶ A damaged supply should only be replaced by the manufacturer, its service agent or similarly qualified persons in order to avoid a hazard.

9.1 Troubleshooting table

Problem	Possible Cause	Possible Solution
The compressor does not work.	<ul style="list-style-type: none"> • Mains plug is not connected in the mains socket. • The appliance is in the defrosting cycle. 	<ul style="list-style-type: none"> • Connect the mains plug. • This is normal for an automatic defrosting.
The appliance runs frequently or runs for a too long period of time.	<ul style="list-style-type: none"> • The indoor or outdoor temperature is too high. • The appliance has been off power for a period of time. • A door of the appliance is not tightly closed. • The door has been opened too frequently or for too long. • The temperature setting for the freezer compartment is too low. • The door gasket is dirty, worn, cracked or mismatched. • The required air circulation is not guaranteed. 	<ul style="list-style-type: none"> • In this case, it is normal for the appliance to run longer. • Normally, it takes 8 to 12 hours for the appliance to cool down completely. • Close the door and ensure the appliance is located on a level ground and there is no food or container jarring the door. • Do not open the door too frequently. • Set the temperature higher until a satisfactory refrigerator temperature is obtained. It takes 24 hours for the refrigerator temperature to become stable. • Clean the door gasket or replace them by the customer service. • Ensure adequate ventilation.
The inside of the fridge is dirty and/ or smells.	<ul style="list-style-type: none"> • The inside of the fridge needs cleaning. • Food of strong odour is stored in the fridge. 	<ul style="list-style-type: none"> • Clean the inside of the fridge. • Wrap the food thoroughly.

Problem	Possible Cause	Possible Solution
It is not cold enough inside the appliance.	<ul style="list-style-type: none"> The temperature is set too high. Too warm goods has been stored. Too much food has been stored at one time. The goods are too close to each other. A door of the appliance is not tightly closed. The door has been opened too frequently or for too long. 	<ul style="list-style-type: none"> Reset the temperature. Always cool down goods before storing them. Always store small quantities of food. Leave a gap between several foods allowing air flowing. Close the door. Do not open the door too frequently.
It is too cold inside the appliance.	<ul style="list-style-type: none"> The temperature is set too low. The Super-Cool / Super-Freeze function is activated or is running too long. 	<ul style="list-style-type: none"> Reset the temperature. Switch off the Super-Cool / Super-Freeze function.
Moisture formation on the inside of the fridge compartment.	<ul style="list-style-type: none"> The climate is too warm and too damp. A door of the appliance is not tightly closed. The door has been opened too frequently or for too long. Food containers or liquids are left open. 	<ul style="list-style-type: none"> Increase the temperature. Close the door. Do not open the door too frequently. Let hot foods cool to room temperature and cover foods and liquids.
Moisture accumulates on the fridges outside surface or between the doors.	<ul style="list-style-type: none"> The climate is too warm and too damp. The door is not closed tightly. The cold air in the appliance and the warm air outside it condensates. 	<ul style="list-style-type: none"> This is normal in damp climate and will change when the humidity decreases. Ensure that the door is tightly shut.
Strong ice and frost in the freezer compartment.	<ul style="list-style-type: none"> The goods were not adequately packaged. A door/drawer of the appliance is not tightly closed. The door has been opened too frequently or for too long. The door gasket is dirty, worn, cracked or mismatched. Something on the inside prevents the door to close properly. 	<ul style="list-style-type: none"> Always pack the goods well. Close the door/drawer. Do not open the door too frequently. Clean the door gasket or replace them by new ones. Reposition the shelves, door racks, or internal containers to allow the door to close.
The appliance makes abnormal sounds.	<ul style="list-style-type: none"> The appliance is not located on level ground. The appliance touches some object around it. 	<ul style="list-style-type: none"> Adjust the feet to level the appliance. Remove objects around the appliance.

Problem	Possible Cause	Possible Solution
A slight sound is to be heard similar to that of flowing water.	<ul style="list-style-type: none"> This is normal. 	<ul style="list-style-type: none"> -
You will hear an alarm beep.	<ul style="list-style-type: none"> The door is open. 	<ul style="list-style-type: none"> Close the door.
You will hear a faint hum.	<ul style="list-style-type: none"> The anti-condensation system is working. 	<ul style="list-style-type: none"> This prevents condensation and is normal.
The interior lighting or cooling system does not work.	<ul style="list-style-type: none"> Mains plug is not connected in the mains socket. The power supply is not intact. The LED-lamp is out of order. 	<ul style="list-style-type: none"> Connect the mains plug. Check the electrical supply to the room. Call the local electricity company! Please call the service for changing the lamp.
The sides of the cabinet and door strip get warm.	<ul style="list-style-type: none"> This is normal. 	<ul style="list-style-type: none"> -
No water is coming out of the water dispenser spout	<ul style="list-style-type: none"> Lock is not deactivated. 	<ul style="list-style-type: none"> Deactivate the lock.

9.2 Power interruption

In the event of a power cut, food should remain safely cold for about 5 hours. Follow these tips during a prolonged power interruption, especially in summer:

- ▶ Open the door/drawer as few times as possible.
- ▶ Do not put additional food into the appliance during a power interruption.
- ▶ If prior notice of a power interruption is given and the interruption duration is longer than 5 hours, make some ice and put it in a container in the top of the fridge compartment.
- ▶ An inspection of the goods is required immediately after the interruption.
- ▶ As temperature in the fridge will rise during a power interruption or other failure, the storage period and edible quality of food will be reduced. Any food that defrosts should be either consumed, or cooked and refrozen (where suitable) soon afterwards in order to prevent health risks.



Notice: Memory function during power interruption

After restoration of power the appliance continues with the settings that were set before the power failure.

10.1 Unpacking



WARNING!

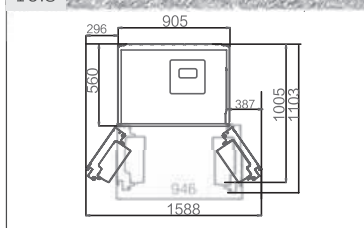
- ▶ The appliance is heavy. Always handle with at least two persons.
- ▶ Keep all packaging materials out of children's reach and dispose them in an environmentally friendly manner.
- ▶ Take the appliance out of the packaging.
- ▶ Remove all packaging materials including the transparent protective film.

10.2 Environmental conditions

The room temperature should always be between 16 °C and 43 °C, since it can influence the temperature inside the appliance and its energy consumption. Do not install the appliance near other heat-emitting appliances (ovens, fridges) without isolation.

- Extended temperate(SN): this refrigerating appliance is intended to be used at ambient temperatures ranging from 10 °C to 32 °C;
- Temperate(N): this refrigerating appliance is intended to be used at ambient temperatures ranging from 16 °C to 32 °C;
- Subtropical(ST): this refrigerating appliance is intended to be used at ambient temperatures ranging from 16 °C to 38 °C;
- Tropical(T): this refrigerating appliance is intended to be used at ambient temperatures ranging from 16 °C to 43 °C;

10.3



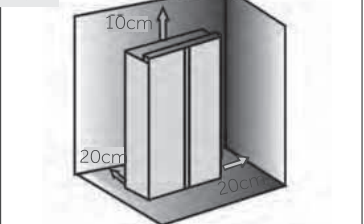
10.3 Space requirement

Required space when door is opened (Fig. 10.3):

Appliance width: 1588mm

Appliance depth: 1103mm

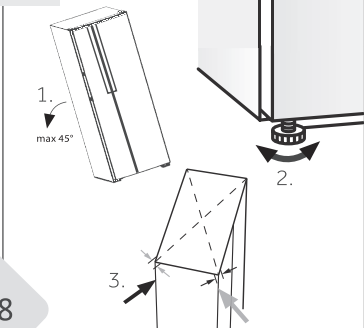
10.4



10.4 Ventilaton cross-section

To achieve sufficient ventilation of the appliance for safety reasons, the information of the required ventilation cross sections must be observed (Fig. 10.4)..

10.5



10.5 Aligning the appliance

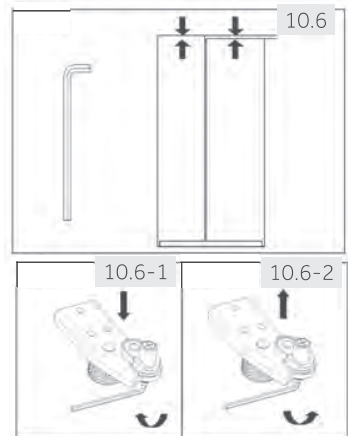
The appliance should be placed on a flat and solid surface.

1. Tilt the appliance slightly backwards (Fig. 10.5).
2. Set the feet to the desired level.
 - Make sure the distance to the wall on the hinge sides is at least 5 cm.
3. The stability can be checked by alternately bumping on the diagonals. The slightly swaying should be the same in both directions. Otherwise the frame can warp; possible leaking door seals are the result. A low tendency to the rear facilitates the closing of the doors.

10.6 Fine tuning of the doors

If the doors are still not in one level after levelling the doors by the feet, this mismatch can be remedied by turning the hinge lifting shaft at the right bottom corner of refrigerating door with a spanner (Fig. 10.6)

- ▶ Clockwise turn lifting shaft with spanner to lower door height (Fig. 10.6-1).
- ▶ Anticlockwise turn lifting shaft with spanner to lift door height (Fig. 10.6-2).

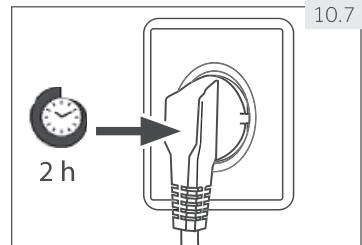


WARNING!

Do not adjust the hinge lifting shaft excessively to a height which might cause the shaft to leave its original locked position. (Adjustable height range: 3 mm)

10.7 Waiting time

To the maintenance-free lubrication oil is located in the capsule of the compressor. This oil can get through the closed pipe system during slanting transport. Before connecting the appliance to the power supply you have to wait at least 2 hours (Fig.10.7) so that the oil runs back into the capsule.



10.8 Electrical connection

Before each connection check if:

- ▶ power supply, socket and fusing are appropriate to the rating plate.
- ▶ the power socket is earthed and no multi-plug or extension.
- ▶ the power plug and socket are strictly according.

Connect the plug to a properly installed household socket.



WARNING!

To avoid risks a damaged power cord must be replaced by the customer service (see warranty card).

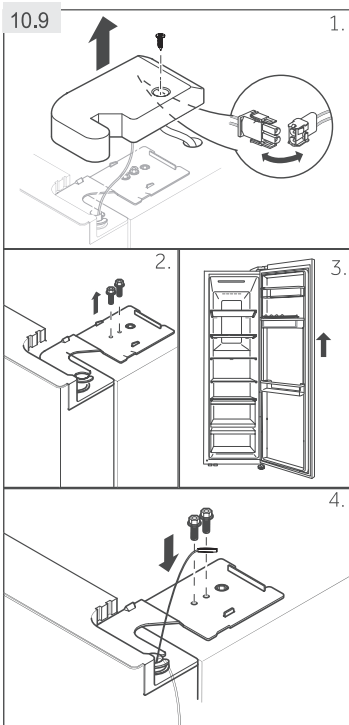
10.9 Removing and installing the doors and installation instructions below (Fig. 10.9).

In the event that you need to remove the appliance doors, please follow the door removal and installation instructions below (Fig. 10.9)



WARNING!

- ▶ Before any operation, deactivate the appliance and disconnect the mains plug from the mains socket.
- ▶ The appliance is heavy. Always handle with at least two persons.
- ▶ Do not tilt the appliance more than 45° or place it horizontally on the ground



1. Undo the hinge cover screw and remove the cover. Release the cable connector.
2. Undo the screws holding the upper hinge in position and then remove the hinge.
3. Lift the fridge compartment door to remove it.
4. Refit the door by reversing the removal steps. Ensure that the grounding cable will be fixed by the screw.




Notice: Fridge door

The pictures show the removing of the fridge compartment door. For the freezer door please use the corresponding parts on the other side



Notice: For a free standing appliance: this refrigerating appliance is not intended to be used as a built-in appliance

11.1 Product fiche according to regulation EU No. 2019/2016

Trade mark	Haier
Model identifier	HSR3918FN*/EN*/EW*/HSR5918DN*/DW*
Category of the model	Refrigerator-freezer
Energy efficiency class	F/E/E/D/D
Annual energy consumption (kWh/year) ¹⁾	399/317/317/258/256
volume cooling (L)	337/337/330/337/330
volume freezing (L)	191/191/191/191/191
Star rating	
Temperature of other compartments > 14°C	Non applicable
Frostfree system	Yes
Temperature rise time (h)	5/7/7/7/7
Freezing capacity(kg/24h)	12/14/14/14/14
Climate class This appliance is intended to be used at an ambient temperature between 10 °C and 38°C.	SN-N-ST
Airborne acoustical noise emissions (db(A) re 1pW)	C(38)
Construction type	Freestanding

based on standard test results for 24 hours. Actual energy consumption will depend on how the appliance is used and where it is located.

11.1.1 Additional technical data

Voltage / Frequency	220-240V ~/ 50Hz
Input power (W)	200
Main fuse (A)	15
Coolant	R600a
Dimensions (H/W/D in mm)	1775/908/647

11.1.2 Standards and directives and

This product meets the requirements of all applicable EC directives with the corresponding harmonised standards and UK standards, which provide for CE and UKCA marking.

We recommend our Haier Customer Service and the use of original spare parts.
If you have a problem with your appliance, please first check section TROUBLESHOOTING.

If you cannot find a solution there, please contact

- ▶ your local dealer or
- ▶ the Service & Support area at www.haier.com where you can find telephone numbers and FAQs and where you can activate the service claim.

To contact our Service, ensure that you have the following data available.
The information can be found on the rating plate.

Model _____ Serial No. _____

Also check the Warranty Card supplied with the product in case of warranty.

AVAILABILITY OF SPARE PARTS

Thermostats, temperature sensors, printed circuit boards and light sources are available for a minimum period of seven years after placing the last unit of the model on the market. Door handles, door hinges, trays and baskets for a minimum period of seven years and door gaskets for a minimum period of 10 year, after placing the last unit of the model on the market.

GUARANTEE

Minimum guarantee is: 2 years for EU Countries, 3 years for Turkey, 1 year for UK, 1 year for Russia, 3 years for Sweden, 2 years for Serbia, 5 years for Norway, 1 year for Morocco, 6 months for Algeria, Tunisia no legal warranty required.
For further information about the product, please consult <https://eprel.ec.europa.eu/> or scan the QR on the energy label supplied with the appliance

Haier



0060524101F



Návod k obsluze

Chladnička/mraznička

HSR3918EN*

HSR3918EW*

HSR3918FN*

HSR5918DN*

HSR5918DW*

*=PW,PB,PL,PG,PN,MP,MB

CZ

Haier

Děkujeme vám za zakoupení výrobku Haier.

Před použitím spotřebiče si laskavě pečlivě přečtěte tyto pokyny. Pokyny obsahují důležité informace, které vám pomohou ze spotřebiče vytěžit maximum a zajistí bezpečnou a správnou instalaci, používání a údržbu.

Tento návod k obsluze uschovejte na vhodném místě, abyste si jej mohli kdykoli prohlédnout pro bezpečné a správné používání spotřebiče.

Pokud spotřebič prodáváte, darujete nebo ho při stěhování ponecháte na starém místě, zajistěte se, abyste také zanechali tento návod k obsluze, aby se nový majitel mohl seznámit se spotřebičem a bezpečnostními upozorněními.

Legenda

Varování – důležité bezpečnostní informace



Obecné informace a rady

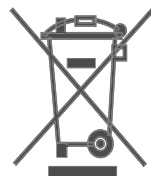


Informace o životním prostředí



Likvidace

Pomozte chránit životní prostředí a lidské zdraví. Obal vložte do příslušných obalů a recyklujte jej. Pomozte recyklovat odpad z elektrických a elektronických spotřebičů. Spotřebiče označené tímto symbolem nevyhazujte s domácím odpadem. Vraťte výrobek do místního recyklačního zařízení nebo se obraťte na obecní úřad.



VAROVÁNÍ!

Nebezpečí zranění nebo udušení!

Chladiva a plyny musí být odborně zlikvidovány. Před řádnou likvidací se ujistěte, že hadička chladicího okruhu není poškozena. Odpojte spotřebič od elektrické sítě. Odřízněte síťový kabel a zlikvidujte jej. Vyjměte zásobníky a zásuvky, jakož i západku dveří a těsnění, abyste zabránili zavření dětí a domácích zvířat ve spotřebiči.

Staré spotřebiče mají stále určitou zbytkovou hodnotu. Ekologický způsob likvidace zajistí, že cenné suroviny budou moci být znovu získány a použity.

Cyklopentan, hořlavá látka, která není škodlivá pro ozon, se používá jako expandér pro izolační pěnu.

Zajištěním správné likvidace tohoto produktu pomůžete zabránit možným negativním důsledkům na životní prostředí a lidské zdraví, k nimž by jinak došlo.

Podrobnější informace o recyklaci tohoto výrobku získáte na místním obecním úřadu, středisku pro likvidaci domovního odpadu nebo v obchodě, kde jste tento výrobek zakoupili.

1- Bezpečnostní informace	4
2- Zamýšlené použití	8
3- Popis produktu	10
4- Ovládací panel	11
5- Použití	12
6- Rady k úspoře energie	20
7- Vybavení	21
8- Péče a čištění	23
9- Odstraňování problémů	26
10- Instalace	29
11- Technické údaje	33
12- Zákaznický servis	34

Před prvním zapnutím spotřebiče si přečtěte následující bezpečnostní pokyny:



VAROVÁNÍ!

Před prvním použitím

- ▶ Ujistěte se, že při přepravě nevznikla žádná poškození.
- ▶ Odstraňte všechny obaly a uchovávejte je mimo dosah dětí.
- ▶ Před instalací spotřebiče počkejte alespoň dvě hodiny, abyste zajistili plnou účinnost chladicího okruhu.
- ▶ Se spotřebičem manipulujte vždy s nejméně dvěma osobami, protože je těžký.

Instalace

- ▶ Spotřebič by měl být umístěn na dobře větraném místě. Zajistěte prostor nejméně 20 cm nad spotřebičem a 10 cm kolem něj.
- ▶ Nikdy neumísťujte spotřebič do vlhkého prostředí nebo na místo, kde by mohl být postříkán vodou. Vyčistěte a osušte postřiky vody a skvrny měkkým čistým hadříkem.
- ▶ Spotřebič neinstalujte na přímé sluneční světlo nebo v blízkosti zdrojů tepla (např. kamna, topná tělesa).
- ▶ Spotřebič nainstalujte a vyrovnejte v prostoru vhodném pro jeho velikost a použití.
- ▶ Udržujte větrací otvory na spotřebiči nebo vestavěné konstrukci bez překážek.
- ▶ Ujistěte se, že elektrické informace na jmenovitém štítku odpovídají zdroji napájení. Pokud tomu tak není, obraťte se na elektrikáře.
- ▶ Spotřebič je napájen napájecím zdrojem 220-240 V střídavého proudu/50 Hz. Abnormální kolísání napětí může způsobit spuštění spotřebiče, poškození regulátoru teploty nebo kompresoru, nebo může dojít k abnormálnímu hluku při provozu. V takovém případě musí být namontován automatický regulátor.
- ▶ Pro snadný přístup ke zdroji napájení použijte samostatnou uzemněnou zásuvku. Spotřebič musí být uzemněn.
- ▶ **Pouze pro Spojené království:** Napájecí kabel spotřebiče je vybaven 3vodičovou (uzemňovací) zástrčkou, která odpovídá standardní 3vodičové (uzemněné) zásuvce. Nikdy neodřízněte ani neodpojíte třetí kolík (uzemnění). Po instalaci spotřebiče by měla být zástrčka přístupná.
- ▶ Nepoužívejte adaptéry a prodlužovací kabely s více zásuvkami.
- ▶ Ujistěte se, že napájecí kabel není zachycen spotřebičem. Nešlapejte na napájecí kabel.
- ▶ Nesmí dojít k poškození chladicího okruhu.
- ▶ **V zadní části spotřebiče neumísťujte vícenásobné přenosné prodlužovací zásuvky ani přenosné napájecí zdroje.**



VAROVÁNÍ!

Denní používání

- ▶ Tento spotřebič směřj používat děti starší 8 let a osoby se sníženými fyzickými, smyslovými nebo duševními schopnostmi nebo bez patřičných zkušeností a znalostí, pokud jsou pod dohledem osoby odpovědné za jejich bezpečnost, případně byly poučeny o bezpečném používání spotřebiče a rozumějí možným nebezpečím.
- ▶ Vkládat potraviny do chladicího spotřebiče a vyjímat je ven mohou děti ve věku od 3 do 8 let, ale nesmí čistit a instalovat chladicí spotřebiče.
- ▶ Udržujte spotřebič mimo dosah dětí do 3 let, pokud nejsou pod neustálým dohledem.
- ▶ Děti nesmějí bez dozoru dospělých spotřebič čistit, ani provádět činnosti údržby.
- ▶ Děti si se spotřebičem nesmějí hrát.
- ▶ **Spotřebič musí být umístěn tak, aby byla zástrčka přístupná.**
- ▶ Pokud v blízkosti spotřebiče uniká chladicí plyn nebo jiný hořlavý plyn, vypněte ventil unikajícího plynu, otevřete dveře a okna a neodpojujte zástrčku napájecího kabelu spotřebiče nebo jiného spotřebiče.
- ▶ Všimněte si, že spotřebič je nastaven pro provoz **ve specifickém rozmezí teplot okolního prostředí mezi 10 °C a 38 °C**. Spotřebič nemusí správně fungovat, pokud byl delší dobu ponechán při teplotě vyšší nebo nižší, než je uvedený rozsah.
- ▶ Na **spotřebič nepokládejte nestabilní předměty (těžké předměty, nádoby naplněné vodou), vyhněte se zranění osob** způsobenému jejich pádem nebo úrazem elektrickým proudem po kontaktu s vodou.
- ▶ Netahejte za poličky dvířek. Dvířka mohou být vytažena šikmo, stojan na lahve může být vytažen ven, nebo se spotřebič může převrátit.
- ▶ Dveře otevírejte a zavírejte pouze pomocí madel. Mezera mezi dvířky a mezi dvířky a skříní je velmi úzká. Nevkládejte ruce do těchto oblastí, aby nedošlo k sevření prstů. Dvířka otevírejte nebo zavírejte, pouze pokud v dosahu pohybu dvířek nestojí žádná děti.
- ▶ Neskladujte ani nepoužívejte hořlavé, výbušné nebo korozivní materiály ve spotřebiči nebo v jeho blízkosti.
- ▶ Neuchovávejte léky, bakterie nebo chemické látky ve spotřebiči. Tento spotřebič je domácí spotřebič. Nedoporučuje se skladovat materiály, které vyžadují přesně vymezené teploty.
- ▶ V mrazničce nikdy neskladujte tekutiny v lahvích nebo plechovkách (kromě lihovin s vysokým obsahem alkoholu), zejména sycené nápoje, protože během zmrazování prasknou.

**VAROVÁNÍ!****Denní používání**

- ▶ Zkontrolujte stav potravin, pokud došlo ke zvýšení teploty v mrazáku.
- ▶ V chladničce nenastavujte zbytečně nízkou teplotu. Při vysokých nastaveních může dojít k minusovým teplotám. Pozor: Láhve mohou prasknout.
- ▶ Nedotýkejte se zmrazeného zboží mokřýma rukama (noste rukavice). Zejména nejezte zmrzliny bezprostředně po vyjmutí z oddílu mrazničky. Hrozí nebezpečí zamrznutí nebo tvorby puchýřů. PRVNÍ pomoc: udržujte okamžitě pod tekoucí studenou vodou. Nevytahujte!
- ▶ Během provozu se nedotýkejte vnitřního povrchu mrazicího oddílu, zejména mokřýma rukama, protože vaše ruce mohou přimrznout na povrchu.
- ▶ V případě výpadku napájení nebo před čištěním spotřebiče odpojte. Před opětovným spuštěním spotřebiče počkejte nejméně 5 minut, protože časté spuštění může poškodit kompresor.
- ▶ Nepoužívejte elektrická zařízení v odkládacích prostorách spotřebiče, pokud nejsou typu doporučeného výrobcem.
- ▶ Pitnou vodu používejte pouze u modelů s dávkovačem vody.

Údržba / čištění

- ▶ Pokud čištění a údržbu provádějí děti, ujistěte se, že jsou pod dozorem.
- ▶ Před prováděním jakékoli běžné údržby odpojte spotřebič od elektrické sítě. Před opětovným spuštěním spotřebiče počkejte nejméně 5 minut, protože časté spuštění může poškodit kompresor.
- ▶ Při odpojování spotřebiče držte zástrčku, nikoli kabel.
- ▶ Neseškrabávejte námrazu a led ostrými předměty. Nepoužívejte spreje, elektrické ohřívače, jako je topení, vysoušeč vlasů, parní čističe ani jiné zdroje tepla, aby nedošlo k poškození plastových dílů.
- ▶ Nepoužívejte mechanické nástroje nebo jiné prostředky k urychlení procesu odmrazování, pokud nejsou doporučeny výrobcem.
- ▶ **Nečistěte spotřebič tvrdými kartáči, drátěnými kartáči, čistícími prášky, organickými roztoky jako například benzinem, amlacetátem, acetonem a podobně, kyselými nebo alkalickými roztoky. Čištění provádějte pomocí speciálního mycího prostředku na chladničky, aby se předešlo poškození.**
- ▶ **Nakonec použijte teplou vodu a roztok jedlé sody – asi lžici jedlé sody na litr/čtvrt vody. Důkladně opláchněte teplou vodou a otřete dosucha. Nepoužívejte čistící prášky nebo jiné abrazivní čistící prostředky. Nemyjte odnímatelné části v myčce nádobí.**



VAROVÁNÍ!

Údržba / čištění

- ▶ Jestliže je poškozený napájecí kabel, smí ho vyměnit pouze výrobce, servisní technik nebo osoba s podobnou příslušnou kvalifikací, jinak by mohlo dojít k úrazu.
- ▶ Nepokoušejte se spotřebič opravovat, rozebírat ani upravovat sami. V případě, že je nutná oprava, obraťte se na náš zákaznický servis.
- ▶ Jestliže jsou lampy osvětlení poškozené, smí je vyměnit pouze výrobce, jeho servisní technik nebo osoby s podobnou příslušnou kvalifikací, jinak by mohlo dojít k úrazu.
- ▶ Alespoň jednou za rok odstraňte prach na zadní straně jednotky, aby se předešlo nebezpečí požáru a zvýšené spotřebě energie.
- ▶ Spotřebič během čištění nepostříkujte ani nevyplachujte.
- ▶ Při čištění spotřebiče nepoužívejte vodní sprej ani páru.
- ▶ Chladné skleněné police nečistěte horkou vodou. Náhlá změna teploty může způsobit rozbití skla.
- ▶ Ponecháte-li spotřebič delší dobu mimo provoz, nechte jej otevřený, aby se uvnitř nevytvářel zápach a nepříjemné pachy.

Informace o chladicím plynu



VAROVÁNÍ!

Spotřebič obsahuje hořlavé chladivo ISOBUTAN (R600a). Ujistěte se, že během přepravy nebo instalace nedošlo k poškození chladicího okruhu. Únik chladiva může způsobit poranění očí nebo vznícení. Pokud dojde k poškození, držte se dále od otevřeného ohně, důkladně větrejte místnost, nezapojujte ani neodpojujte napájecí kabely spotřebiče nebo jiného spotřebiče. Informujte zákaznický servis.

V případě kontaktu očí s chladivem jej okamžitě vypláchněte pod tekoucí vodou a zavolejte očního lékaře.

VAROVÁNÍ: Chladicí systém je pod vysokým tlakem. Do spotřebiče nikdy nezasahujte. Vzhledem k tomu, že spotřebič používá hořlavá chladiva, provádějte instalaci, manipulaci a servis přísně v souladu s návodem a v případě likvidace spotřebiče se obraťte na odborníka nebo na náš poprodejní servis.

2.1 Zamýšlené použití

Spotřebič je určen k použití v domácnosti a v podobných prostředích, například

- v kuchyňských prostorách pro zaměstnance v obchodech, kancelářích a jiných pracovních prostředích;
 - v zemědělských domech a místnostech klientů v hotelech, motelech a jiných obytných prostředích;
 - v prostředích pro nocleh se snídaní;
 - ve stravovacích a podobných zařízeních mimo maloobchod.
- Pokud se spotřebič delší dobu nepoužívá a pro chladničku/mrazničku budete používat pouze funkci Dovolena nebo funkci vypnutí ledničky:
- Vyndejte jídlo.
 - Odpojte napájecí kabel.
 - Vyprázdněte a vyčistěte nádržku na vodu.
 - Vyčistěte spotřebič, jak je popsáno výše.
 - Ponechejte dvířka otevřená, abyste zabránili vytváření nepříjemných pachů uvnitř.
- Pro zajištění bezpečného uchování potravin nebo vína dodržujte prosím tento návod k použití.
- Aby nedošlo ke kontaminaci potravin (neplatí pro vinný sklep), dodržujte prosím následující pokyny:
- Otevírání dvířek na dlouhou dobu může v oddílech spotřebiče způsobit výrazné zvýšení teploty.
 - Pravidelně čistěte povrchy, které mohou přijít do styku s potravinami, a přístupné odvodňovací systémy.
 - Vyčistěte nádržku, pokud nebyly používány po dobu 48 hodin; pokud nebyla voda odebrána po dobu 5 dnů, propláchněte vodní systém připojený k přívodu vody.
- Syrové maso a ryby skladujte ve vhodných nádobách v chladničce/mrazničce tak, aby nepřicházely do kontaktu s jinými potravinami nebo aby z nich nekapalo na jiné potraviny. Pro zajištění bezpečného uchování potravin se instantní potraviny a syrové maso/ryby skladují odděleně.
- Dvouhvězdičkové oddíly pro zmrazené potraviny jsou vhodné pro skladování předem zmražených potravin, skladování nebo výrobu zmrzliny a výrobu kostek ledu.
 - Jednohvězdičkové, dvouhvězdičkové a tříhvězdičkové prostory nejsou vhodné pro zmrazování čerstvých potravin.
 - Pokud je chladicí spotřebič po delší dobu ponechán prázdný, vypněte jej, odmrzte, vyčistěte, vysušte a nechte dvířka otevřená, aby se zabránilo tvorbě plísní uvnitř spotřebiče.
- V následující části jsou uvedeny podrobnosti o nejvhodnějším oddílu v prostoru spotřebiče, kde by se měly skladovat určité druhy potravin, s přihlédnutím k možnému rozložení teplot v různých oddílech spotřebiče, jsou uvedeny v části dalšího návodu k obsluze.

Likvidace

Symbol na obalu a jeho balení udává, že tento výrobek nepatří do domácího odpadu. Místo toho je nutné jej odvézt do příslušného sběrného místa pro recyklaci elektrického a elektronického zařízení. Zajištěním správné likvidace tohoto výrobku pomůžete zabránit případným negativním důsledkům na životní prostředí a lidské zdraví, k nimž by jinak došlo nevhodnou likvidací tohoto výrobku. Podrobnější informace o recyklaci tohoto výrobku získáte na místním obecním úřadu, středisku pro likvidaci domovního odpadu nebo v obchodě, kde jste tento výrobek zakoupili.

Vzhledem k tomu, že spotřebič používá hořlavé izolační ventilační plyny, v případě likvidace spotřebiče se obraťte na odborníka nebo na náš popřední servis.

**VAROVÁNÍ!****Nebezpečí udušení!**

Chladiva a plyny musí být odborně zlikvidovány. Před řádnou likvidací se ujistěte, že hadička chladicího okruhu není poškozena. Odpojte spotřebič od elektrické sítě. Odřízněte síťový kabel a zlikvidujte jej. Vyjměte zásobníky a zásuvky, jakož i západku dvířek a těsnění, abyste zabránili zavření dětí a domácích zvířat ve spotřebiči.

Změny nebo úpravy zařízení nejsou povoleny. Nezamýšlené použití může způsobit nebezpečí a ztrátu práv na reklamace ze záruky.

2.2 Příslušenství

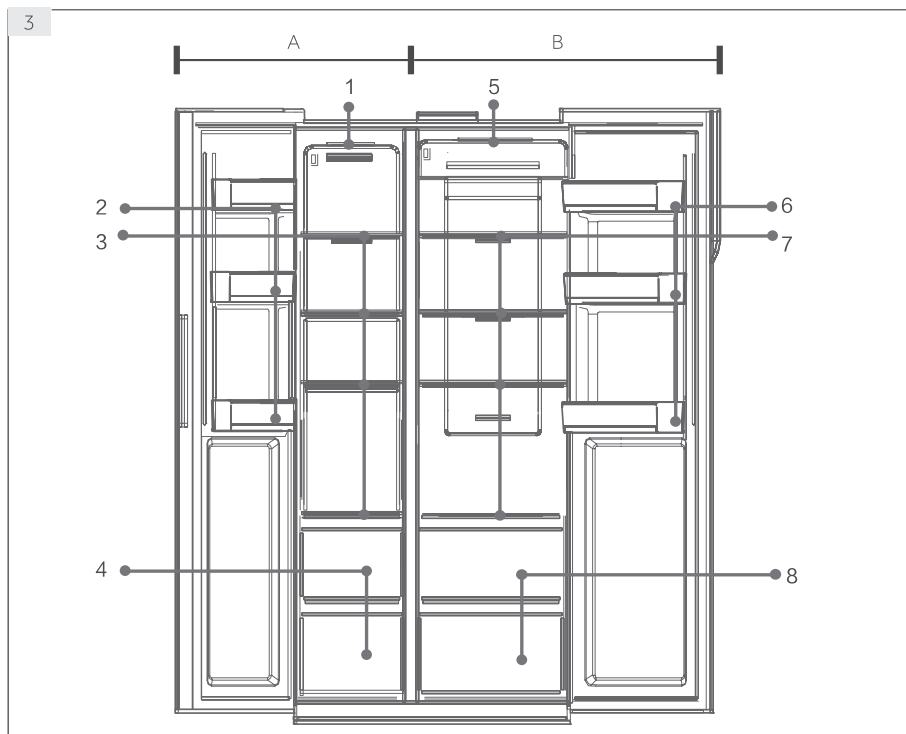
Zkontrolujte příslušenství a literaturu podle tohoto seznamu (obr. 2.2):



Upozornění

Kvůli technickým změnám a různým modelům se některé ilustrace v tomto návodu mohou lišit od vašeho modelu.

Obrázky spotřebičů (obr. 3)

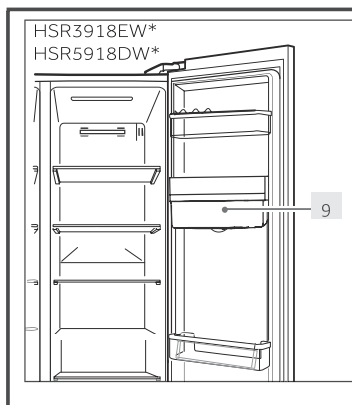


A: Oddíl mrazničky

- 1 Stropní lampa
- 2 Stojan do dvířek/držák na lahve
- 3 Police mrazničky
- 4 Příhrádka mrazničky

B: Oddíl chladničky

- 5 Stropní lampa
- 6 Stojan do dvířek/držák na lahve
- 7 Police ledničky
- 8 Příhrádka ledničky
- 9 Nádržka na vodu



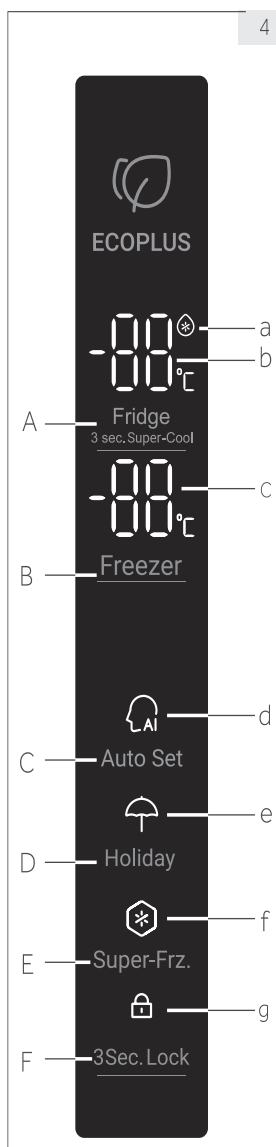
Ovládací panel (obr. 4)

Tlačítka:

- A Volič ledničky
- B Volič mrazničky
- C Režim Fuzzy
- D Režim Dovolená
- E Režim Super mrazení
- F Přepínač uzamknutí panelu

Ukazatele:

- a Režim Super chlazení
- b Teplota ledničky
- c Teplota mrazničky
- d Režim Fuzzy
- e Dovolená
- f Režim Super mrazení
- g Zámek panelu



5.1 První použití

Když se chladnička poprvé připojí k napájení, displej je zapnutý. Výchozí teplota oddílu chladničky je 4 °C a mrazničky -18 °C. Kontrolka funkce inteligence svítí.

5.2 Uzamknout/odemknout panel

Automatické uzamknutí:

Když jsou dvířka ledničky a mrazničky zavřená a po dobu 30 sekund se nepoužije žádné tlačítko, kontrolka panelu se automaticky vypne a panel se uzamkne.

Manuální uzamknutí:

Když je panel odemčený, stiskněte tlačítko Zamknout na 3 sekundy a bzučák vydá bzučivý zvuk, indikátor zámku svítí a displej je uzamčen.



Stiskněte na 3 sekundy

Indikátor svítí
Panel je uzamčený

Odemknutí:

Když je panel vypnutý, otevřete jakékoli dvířka chladničky nebo se dotkněte jakéhokoli tlačítka na ovládacím panelu a panel se rozsvítí. V tuto chvíli je panel uzamčen. Stiskněte funkční tlačítko zámku na 3 sekundy, zazní bzučák, indikátor zámku je vypnutý a panel je odemčen.



Panel je zapnutý.
Otevřete dvířka nebo stiskněte jakékoli tlačítko

Držte 3 s.

Indikátor nesvítí
Panel je odemčený

5.3 Nastavení teploty ledničky

- Když je ovládací panel odemčen, stiskněte „Volič chladničky“ a zazní bzučák, indikátor teploty ledničky bliká. Nyní lze nastavit teplotu ledničky.
- Poté se při každém stisknutí voliče ledničky ozve bzučák a nastavení se sníží o 1. Sekvence přepínání je v souvislé smyčce jako „4 °C/3 °C / 2 °C / 1 °C / 9 °C / 8 °C / 7 °C / 6 °C / 5 °C / 4 °C“



Upozornění

- ▶ Spotřebič je nastaven na doporučenou teplotu 4 °C (chladnička) a- 18 °C (mraznička). Za normálních okolních podmínek není třeba nastavovat teplotu.

5.4 Nastavení teploty mrazničky

1. Když je ovládací panel odemčen, stiskněte tlačítko „Volič chladničky“ a zazní bzučák, indikátor teploty mrazničky bliká. Nyní lze nastavit teplotu mrazničky.
2. Poté se při každém stisknutí voliče mrazničky ozve bzučák a nastavení se sníží o 1. Sekvence přepínání je v souvislé smyčce jako „-18 °C/-19 °C/-20 °C/-21 °C/-22 °C/-23 °C/-24 °C/-14 °C/-15 °C/-16 °C/-17 °C/-18 °C“.



Stiskněte jednou

Blikání

Ve stavu nastavení

Stiskněte jednou

Nastavení bylo dokončeno

Upozornění

- ▶ Teplota je nastavena, pokud během 5 sekund nezmáčknete žádné tlačítko, teplota se automaticky potvrdí a uloží.

5.5 Automatické nastavení

1. Když je ovládací panel odemčen, stiskněte „Volič režimu Fuzzy“ a zazní bzučák. Indikátor režimu Fuzzy svítí. Spustí se režim Fuzzy.
2. Je-li indikátor režimu Fuzzy zapnutý, stiskněte volič režimu Fuzzy a zazní bzučák, indikátor režimu Fuzzy je vypnutý a režim Fuzzy se uzavře.



Stiskněte jednou

zapnutí režimu Fuzzy

Stiskněte jednou

vypnutí režimu Fuzzy

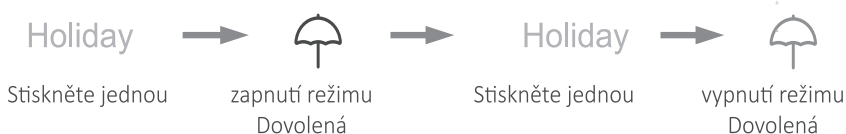
Upozornění

- ▶ Je-li režim Fuzzy zapnutý, nelze zvolit teplotu ledničky a teplotu mrazničky. Po stisknutí voliče ledničky nebo mrazničky bliká kontrolka režimu Fuzzy se zvukem připomínajícím, že operace není povolena. Je-li v režimu Fuzzy vybrána funkce rychlého chlazení, rychlého zmrazení nebo dovolené, režim Fuzzy je vypnutý a režim Fuzzy se automaticky uzavře.

5.6 Režim Dovolená

Režim Dovolená je navržen pro situaci, že chladnička nebude delší dobu používána. Je-li režim Dovolená zapnutý, lze zvolit teplotu mrazničky, zatímco teplota ledničky je automaticky nastavena na 17 °C, což zabraňuje zápachu způsobenému vysokou teplotou v oddílu chladničky a také šetří spotřebu energie.

1. Když je ovládací panel odemčen, stiskněte „Volič režimu Dovolená“ a zazní bzučák, svítí indikátor funkce Dovolená. Spustí se režim Dovolená.
2. Když svítí kontrolka režimu Dovolená, stiskněte volič funkce Dovolená a zazní bzučák, indikátor režimu Dovolená zhasne a režim Dovolená se uzavře.



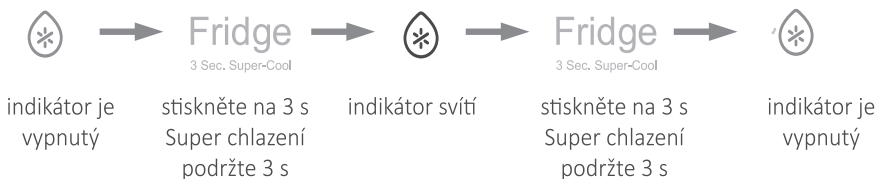
Upozornění

- ▶ Je-li zapnut režim Dovolená, nelze zvolit teplotu ledničky. Po stisknutí voliče ledničky bliká indikátor režimu Dovolená se zvukem připomínajícím, že operace není povolena. Před volbou režimu Dovolená vyprázdněte ledničku, aby nedošlo ke zhoršení stavu potravin. Při zapnutém režimu Dovolená nelze současně zvolit funkci inteligence a rychlé chlazení. Je-li zvolen režim inteligence nebo rychlé chlazení, indikátor režimu Dovolená je vypnutý a funkce se automaticky uzavře.

5.7 Režim Super chlazení

1. Když je ovládací panel odemčen, stiskněte na 3 sekundy tlačítko „Volič ledničky“ a zazní bzučák, rozsvítí se indikátor Super chlazení. Super chlazení se spustí.
2. Když se rozsvítí indikátor super chlazení, stiskněte volič ledničky po dobu 3 sekund, zazní bzučák a indikátor Super chlazení je vypnutý. Režim Super chlazení se zavře
3. Po zapnutí režimu Super chlazení se chladnička automaticky přepne do stavu vypnutí režimu Super chlazení poté, co režim Super chlazení dosáhne nastaveného stavu. Chcete-li režim Super chlazení vypnout ručně, stiskněte na 3 sekundy volič ledničky.

Indikátor je vypnutý



Upozornění

- ▶ Při zapnuté funkci Super chlazení nelze současně vybrat režim Fuzzy a režim Dovolená. Je-li vybrán režim Fuzzy nebo režim Dovolená, indikátor superchlazení je vypnutý a Super chlazení se automaticky zavře.
- ▶ Tato funkce se automaticky vypne po dosažení teploty + 2 °C, nebo průběh funkce trvá déle než 6 hodin

5.8 Režim Super mrazení

1. Když je ovládací panel odemčen, stiskněte přepínač Super mrazení a zazní bzučák, rozsvítí se kontrolka Super mrazení. Spustí se režim Super mrazení.
2. Při zapnutém indikátoru Super mrazení stiskněte volič Super mrazení, zazní bzučák a indikátor Super mrazení je vypnutý. Režim Super mrazení se zavře.
3. Je-li zapnut režim Super mrazení, chladnička se automaticky přepne do vypnutého režimu Super mrazení poté, co režim Super mrazení dosáhne nastaveného stavu. Chcete-li režim Super mrazení vypnout ručně, stiskněte přepínač Super mrazení na dobu 3 sekund.



Upozornění

- ▶ Režim Super mrazení je navržen tak, aby zachoval živiny v potravinách v oddílu mrazničky a potraviny byly zmrazeny v co nejkratší době. Pokud má být zmrazeno velké množství potravin najednou, doporučuje se 24 hodin předem nastavit režim Super mrazení, aby se v oddílu mrazničky dosáhlo nižší teploty, než je potravina vložena do oddílu mrazničky. Za těchto podmínek se zvyšuje rychlost zmrazování v oddílu mrazničky a potraviny lze rychle zmrazit, čímž se účinně zajistí výživa potravin a usnadní se skladování. Chcete-li v režimu Super mrazení zvolit funkci intelligence, indikátor Super mrazení je vypnutý a režim Super mrazení se automaticky uzavře.
- ▶ Po 50 hodinách se funkce Extra mrazení automaticky vypne. Spotřebič pak bude pracovat při teplotě, která byla nastavena před použitím funkce Extra mrazení.

5.9 Alarm otevřených dvířek

Pokud je doba otevření dvířek příliš dlouhá nebo dvířka nejsou zavřená, chladnička pokaždé spustí alarm kapání a připomene vám, abyste dvířka včas zavřeli.

5.10 Úspora energie na ovládacím panelu

V případě žádné operace na ovládacím panelu po dobu 30 sekund se panel automaticky vypne a přejde do stavu uzamčení, což může ušetřit energii. Po stisknutí tlačítka funkce uzamčení nebo otevření jakýchkoli dvířek se ovládací panel rozsvítí.

5.11 Funkce paměti výpadku napájení

Když se chladnička vypne, uloží se okamžitý provozní stav výpadku napájení. Po opětovném připojení napájení chladnička nadále pracuje v souladu se stavem přepínání a funkcí nastaveným před výpadkem napájení.

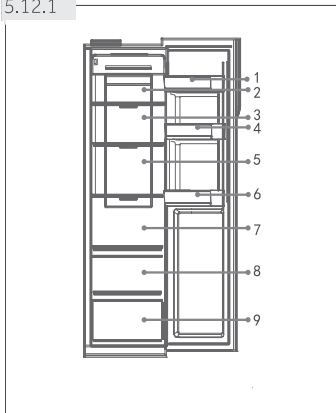
Pozor: Funkce uzamčení se neukládá v paměti. Po opětovném zapnutí chladničky začne ovládací panel provádět vlastní kontrolu, indikátor funkce uzamčení zhasne a chladnička se odemkne.

5.12 Tipy na skladování čerstvých potravin

5.12.1 Uložení v oddílu ledničky

- ▶ Udržujte teplotu ledničky pod 5 °C.
- ▶ Teplé potraviny musí být před uložením do spotřebiče ochlazený na pokojovou teplotu.
- ▶ Potraviny skladované v ledničce je třeba před uskladněním umýt a vysušit
- ▶ Potraviny, které mají být skladovány, by měly být řádně uzavřeny, aby se zabránilo zápachu nebo změnám chuti.
- ▶ Neskladujte nadměrné množství potravin. Pro lepší a homogennější chlazení ponechte prostor mezi potravinami, aby kolem nich proudil studený vzduch.
- ▶ Potraviny, které se konzumují každý den, by měly být skladovány v přední části police
- ▶ Ponechte mezeru mezi potravinami a vnitřními stěnami, aby mohl proudit vzduch. Zvláště neukládejte potraviny tak, aby byly v kontaktu se zadní stěnou: potraviny v kontaktu se zadní stěnou by mohly zamrznout. Zabráňte přímému kontaktu potravin (zejména mastných nebo kyselých potravin) s vnitřním pláštěm, protože olej/kyselina může vnitřní plášť narušit. Při každém zjištění očistěte mastné/kyselé nečistoty.
- ▶ Mražené potraviny rozmrazte v oddílu ledničky. Tímto způsobem můžete mražené potraviny použít ke snížení teploty v oddílu a úspoře energie.
- ▶ Proces zrání ovoce a zeleniny, jako jsou cukety, melouny, papája, banány, ananas atd., může být urychlen v lednici. Proto se nedoporučuje uchovávat je v ledničce. Zrání silně zeleného ovoce však může být po určitou dobu podporováno. Cibule, česnek, zázvor a jiná kořenová zelenina by také měly být skladovány při pokojové teplotě.
- ▶ Nepříjemné zápachy uvnitř ledničky jsou známkou rozlití, a že je potřeba čištění. Viz ČIŠTĚNÍ A ÚDRŽBA.
- ▶ Různé potraviny by měly být umístěny na různých místech podle jejich vlastností (obr. 5.12.1/5.12.2):

5.12.1

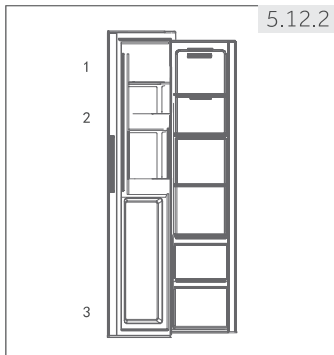


- 1 Máslo, sýr atd.
- 2 Nakládané potraviny, konzervované potraviny atd.
- 3 Nakládané potraviny, konzervované potraviny atd.
- 4 Plechovky, konzervy, koření atd.
- 5 Masné výrobky, drobné občerstvení atd.
- 6 Nápoje a balené potraviny.
- 7 Těstoviny, konzervy, mléko, tofu, mléčné výrobky atd.
- 8 Ovoce, zelenina, salát atd.
- 9 Vařené maso, klobásy atd.

5.12.2 Uložení v oddílu mrazničky

- ▶ Udržujte teplotu mrazničky na -18 °C.
- ▶ 24 hodin před zmrazením zapněte funkci Super mrazení: -pro malá množství potravin postačuje 4-6 hodin.
- ▶ Teplé potraviny musí být před uložením v oddílu mrazničky ochlazený na pokojovou teplotu.
- ▶ Potraviny rozřezané na malé porce zamrznou rychleji a snadněji se rozmrazují a vaří. Doporučená hmotnost pro každou porci je menší než 2,5 kg
- ▶ Před vložením do mrazničky je lepší potraviny zabalit. Vnější strana obalu musí být suchá, aby se vaky neslepily. Obalové materiály by měly být bez zápachu, vzduchotěsné, nejedovaté a netoxické.
- ▶ Aby nedocházelo k uplynutí doby skladování, poznamenejte na obalu datum zmrazení, lhůtu a název potraviny podle doby skladování různých potravin.
- ▶ **VAROVÁNÍ!** Kyselina, zásada, sůl atd. mohou narušit vnitřní povrch mrazničky. Nepokládejte potraviny obsahující tyto látky (např. mořské ryby) přímo na vnitřní povrch. Slaná voda v mrazáku by měla být okamžitě vyčištěna.
- ▶ Nepřekračujte dobu skladování potravin doporučenou výrobcem. Vyjměte z mrazničky pouze požadované množství potravin.
- ▶ Různé potraviny by měly být umístěny na různých místech podle jejich vlastností (obr. 5.12.2):

5.12.2



- 1 Lehčí položky, jako je zmrzlina, zelenina, chléb atd.
- 2 Nápoje bez vysokého obsahu alkoholu a dočasné skladování lihovin s vysokým obsahem alkoholu, malé kusky jako pizza nebo bylinky.
- 3 Velké/těžší porce potravin, jako jsou kusy masa k pečení



Poznámka: Skladování

- ▶ Udržujte prosím vzdálenost mezi umístěnými potravinami a senzorem větší než 10 mm, abyste zajistili chladicí účinek.
- ▶ Pokud spotřebič pracuje, ponechte prosím nejnižší zásuvku, aby byl zajištěn chladicí účinek.
- ▶ Potraviny s ledem (jako je zmrzlina atd.) by měly být skladovány v oddílu mrazničky namísto na držáku lahve, protože změny teploty v držáku lahve způsobené otevřením a zavřením dveří mohou potraviny rozmrazit.
- ▶ Rozmražené potraviny rychle zkonzumujte. Rozmražené potraviny nemohou být znovu zmrazeny, pokud nejsou nejprve tepelně upraveny, jinak poté nemusí být jedlé.
- ▶ Do oddílu mrazničky nekládejte nadměrné množství čerstvých potravin. Viz mrazicí kapacita mrazničky – viz TECHNICKÉ ÚDAJE nebo údaje na typovém štítku.
- ▶ Potraviny mohou být skladovány v mrazničce při teplotě nejméně -18 °C po dobu 2 až 12 měsíců v závislosti na jejich vlastnostech (např. maso: 3-12 měsíců, zelenina: 6–12 měsíců)
- ▶ Při zmrazování čerstvých potravin se vyvarujte kontaktu s již zmrazenými potravinami. Riziko rozmražení!
- ▶ Mražené potraviny rozmrazte v ledničce. Tímto způsobem můžete mražené potraviny použít ke snížení teploty v oddílu a úspoře energie.

5.12.3 Při skladování komerčně zmrazených potravin postupujte podle těchto pokynů:

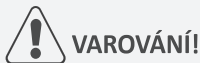
- ▶ Vždy dodržujte pokyny výrobce týkající se doby, po kterou byste měli potraviny uchovávat. Nepřekračujte tyto pokyny!
- ▶ Snažte se, aby doba mezi nákupem a skladováním byla co nejkratší, aby byla zachována kvalita potravin.
- ▶ Nakupujte mražené potraviny, které byly skladovány při teplotě -18 °C nebo nižší.
- ▶ Vyhněte se nákupu potravin s ledem nebo námrazou na obalu – to naznačuje, že produkty mohly být částečně rozmrazeny a znovu zmrazeny při určitém zvýšení teploty, což má vliv na kvalitu potravin.

5.13 Dávkovač vody (HSR3918EW*/HSR5918DW*)

Pomocí dávkovače vody lze čerpat studenou pitnou vodu.

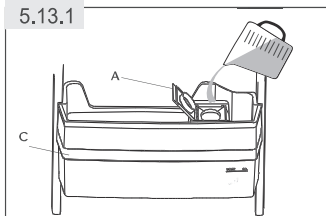
Nádržka na vodu by měla být před prvním použitím vyčištěna (viz PÉČE A ČIŠTĚNÍ).

5.13.1 Plnění nádržky na vodu

**VAROVÁNÍ!**

Používejte pouze pitnou vodu.

5.13.1





1. Ujistěte se, že je nádržka na vodu správně zasunuta (viz VYBAVENÍ)
2. Otevřete víčko (A) a nalijte čerstvou pitnou vodu do nádržky na vodu (Obr. 5.13.1)
3. Doplňte vodu pouze po značku (2,5 l), protože by mohla přetéct, jakmile se dvířka otevřou a zavřou.
4. Uzavřete víčko (A) úplně.

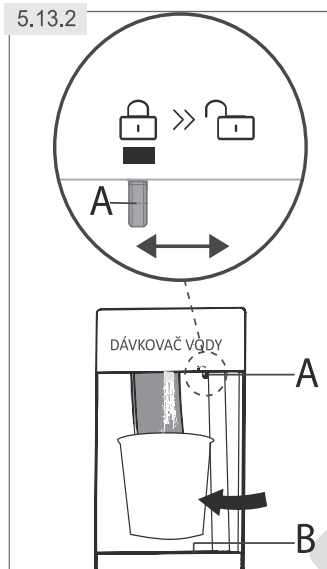
**Poznámka: Dávkovač vody**

- ▶ Před opětovným naplněním zlikvidujte zbytkovou vodu a vyčistěte nádržku na vodu.
- ▶ Pokud nepotřebujete vodu po dlouhou dobu, vyprázdněte nádrž na vodu a vložte vyčištěnou nádržku.
- ▶ **Víčko (C) na nádržce na vodu (obr. 5.13.1) se navíc používá k úspoře energie.** Pokud nepotřebujete vodu z dávkovače vody po delší dobu, nainstalujte víčko kvůli lepší izolaci a úspoře energie.

5.13.2 Odběr vody z dávkovače

1. Ujistěte se, že zámek (A) je přesunut  do polohy „Odemknout“ (obr. 5.13.2).
2. Umístěte sklenici pod vývod vody.
3. Jemně zatlačte sklenici na páčku dávkovače vody.
Ujistěte se, že sklo je v jedné rovině s dávkovačem, aby nedošlo k vystříknutí vody.
4. Voda na podnose (B) by měla být včas odstraněna, protože by mohla přetékat při otevření a zavření dvířek.
5. Posuňte zámek (A) do polohy  „Zamknout“

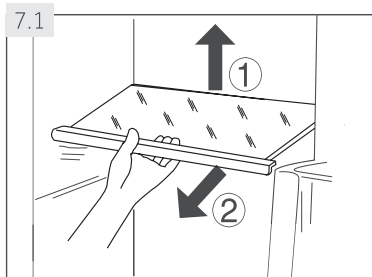
5.13.2





Rady k úspoře energie

- ▶ Ujistěte se, že je spotřebič řádně větrán (viz INSTALACE).
- ▶ Spotřebič neinstalujte na přímé sluneční světlo nebo v blízkosti zdrojů tepla (např. kamna, topná tělesa).
- ▶ Vyvarujte se zbytečně nízké teplotě ve spotřebiči. Spotřeba energie se zvyšuje, čím nižší je ve spotřebiči teplota nastavena.
- ▶ Funkce jako Super chlazení nebo Super mrazení spotřebovávají více energie.
- ▶ Před vložením do spotřebiče nechte teplé potraviny vychladnout.
- ▶ Dvířka spotřebiče otevřete co nejméně a co nejkratší.
- ▶ Nepřepíňujte spotřebič, aby nedošlo k zablokování průtoku vzduchu.
- ▶ Zabraňte vniknutí vzduchu do obalu potravin.
- ▶ Udržujte těsnění dvířek čistá, aby se dvířka vždy správně zavřela.
- ▶ Mražené potraviny rozmrazte v oddílu ledničky.
- ▶ Energeticky nejuspěšnější konfigurace vyžaduje, aby byly ve spotřebiči nainstalovány přihrádky, schránka na potraviny a police byly umístěny ve spotřebiči jako ve stavu čerstvém z výroby a aby potraviny byly umístěny bez blokování výstupu vzduchu z potrubí



7.1 Nastavitelné police

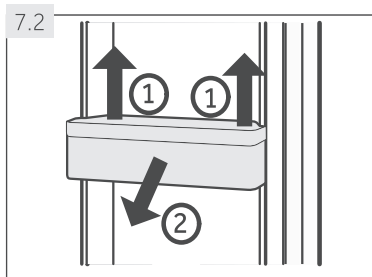
Výšku polic lze nastavit tak, aby odpovídala vašim potřebám při skladování.

1. Chcete-li polici přemístit, vyjměte ji nejprve zvednutím zadního okraje (1) a vytažením (2) (obr. 7.1).
2. Chcete-li ji znovu nainstalovat, položte ji na výstupky na obou stranách a zatlačte ji do nejzadnější polohy, dokud nebude zadní část police upevněna v otvorech po stranách.



Poznámka: Police

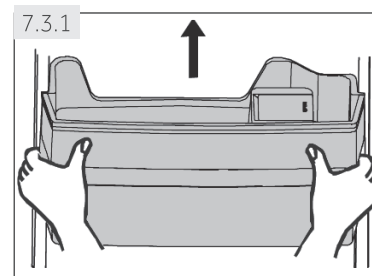
Zajistěte, aby všechny konce police byly ve vodorovné poloze.



7.2 Odnímatelné stojany dvířek/držák na lahve

Stojany dvířek/držák na lahve lze vyjmout pro čištění:

1. Položte ruce na obě strany stojanu/držáku a zvedněte jej nahoru (1) (obr. 7.2).
2. Vytáhněte stojan dvířek/držák na lahve (2).
3. Pro vložení stojanu dvířek/držáku na lahve se výše uvedené kroky provádějí v opačném pořadí.




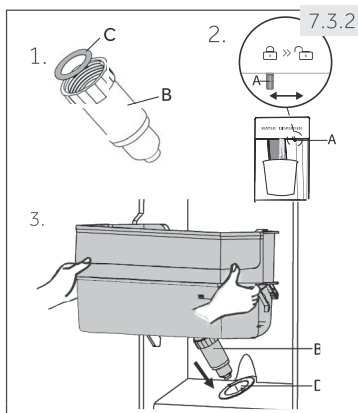
7.3 Nádržka na vodu (HSR3918EW*/HSR5918DW*)

7.3.1 Odstranění nádržky na vodu

Nádržku na vodu lze vyjmout a znovu nainstalovat pro čištění stejným způsobem jako stojany dvířek (obr. 7.3.1).

7.3.2 Vložení nádržky na vodu

1. Ujistěte se, že hrdlo dávkovače (B) je pevně přišroubováno k nádržce na vodu a bílý O-kroužek (C) je ve správné poloze (obr. 7.3.2-1.).
2. Posuňte zámek (A) do polohy  „Zamknout“ (obr. 7.3.2-2.)
3. Nádržku na vodu umístěte do polohy, v níž hrdlo dávkovače (B) zapadne do otvoru dvířek (D) (obr.7.3.2-3.).



i Poznámka: Nádržka na vodu

- ▶ Není-li nádržka na vodu správně zasunuta, může z připojení kapat voda.
- ▶ Při demontáži nebo instalaci nádržky na vodu nepoužívejte nadměrnou sílu, aby nedošlo k jejímu poškození.

7.4 Držák na lahve – oddíl mrazničky

Držáky na lahve v oddílu mrazničky jsou určeny pro dočasné skladování lihovin s vysokým obsahem alkoholu. Nápoj bez vysokého obsahu alkoholu by měl být chlazen v ledničce. V držácích na lahve navíc lze uložit malé položky.

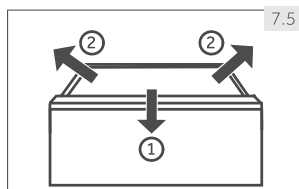
! VAROVÁNÍ!

Lahve a plechovky mohou prasknout! Nastavte časovač, který vám připomene vyjmout lahve/plechovky bez vysokého obsahu alkoholu.

7.5 Odnímatelná zásuvka

Chcete-li zásuvku vyjmout z ledničky nebo oddílu mrazničky, vytáhněte ji na maximum (1), zvedněte a vyjměte ji (2) (obr. 7.5).

Pro zasunutí zásuvky se výše uvedené kroky provádějí v opačném pořadí.

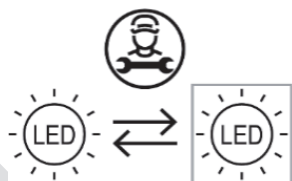


7.6 Osvětlení

Při otevření dvířek se rozsvítí LED osvětlení interiéru. Výkon osvětlení není ovlivněn žádným jiným nastavením spotřebiče.

Vyměnitelný světelný zdroj (pouze LED), výměnu musí provést odborník

Tento výrobek obsahuje světelný zdroj s třídou energetické účinnosti G.



prostor	Объем	максимална мощнос т	Класна енергийна ефективност	Образец
chladničky	12V	1.5W	G	*HGR3918EN* *HGR3918EW* *HGR3918FN* *HGR3918EN* *HGR3918DV* **FW0918PL,PLN,PLMH
mrazničky	12V	1.5W	G	

**VAROVÁNÍ!**

Před čištěním spotřebič odpojte od napájecího zdroje.

8.1 Čištění

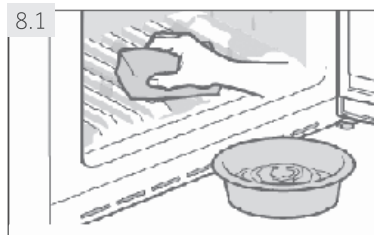
Spotřebič vyčistěte, pokud skladujete jen málo potravin nebo žádné potraviny.

Spotřebič by měl být čištěn každé čtyři týdny, aby byla zajištěna dobrá údržba a aby se zabránilo špatnému zápachu skladovaných potravin.

**VAROVÁNÍ!**

Nečistěte spotřebič tvrdými kartáči, drátěnými kartáči, čistícími prášky, organickými roztoky jako například benzínem, amylacetátem, acetonem a podobně, kyselými nebo alkalickými roztoky. Čištění provádějte pomocí speciálního mycího prostředku na ledničky, aby se předešlo poškození.

- ▶ Spotřebič během čištění nepostříkujte ani nevyplachujte.
- ▶ Při čištění spotřebiče nepoužívejte vodní sprej ani páru.
- ▶ Chladné skleněné police nečistěte horkou vodou. Náhlá změna teploty může způsobit rozbití skla.
- ▶ Nedotýkejte se vnitřního povrchu mrazicího oddílu, zejména mokřýma rukama, protože vaše ruce mohou přimrznout na povrchu.
- ▶ V případě zahřívání zkontrolujte stav zmrazeného zboží.



- ▶ Vždy udržujte těsnění dvířek čisté.
- ▶ Vnitřní část a plášť spotřebiče očistěte houbou navlhčenou v teplé vodě s neutrálním čistícím prostředkem (obr. 8.1).

1. Vnitřní i vnější část chladničky, včetně těsnění dvířek, stojanu na dvířka, skleněných polic, přihrádek atd., otřete měkkou utěrkou nebo houbou namočenou v teplé vodě (do teplé vody můžete přidat neutrální čistící prostředek).
2. Pokud dojde k rozlítí kapaliny, odstraňte všechny kontaminované části, přímo je opláchněte tekoucí vodou, osušte a vložte je zpět do ledničky.
3. Pokud dojde k rozlítí smetany (jako je smetana, tající zmrzlina), vyjměte všechny kontaminované části, vložte je na nějakou dobu do teplé vody o teplotě přibližně 40 °C, poté je opláchněte tekoucí vodou, osušte a vložte zpět do lednice.
4. V případě, že se v ledničce zasekne některá malá součást nebo komponent (mezi poličkami nebo zásuvkami), použijte malý měkký kartáček, abyste ji uvolnili. Pokud jste se k součásti


nedostali, obraťte se prosím na servis Haier.

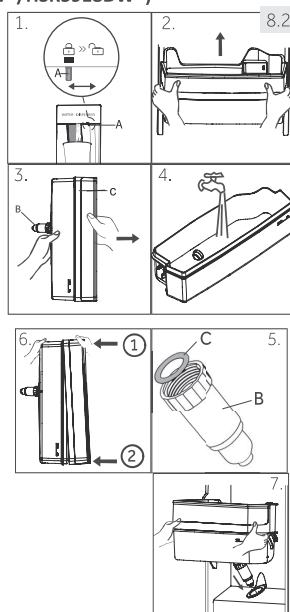
- ▶ Opláchněte a osušte měkkým hadříkem.
- ▶ Žádné části spotřebiče nečistěte v myčce nádobí.
- ▶ Před opětovným spuštěním spotřebiče počkejte nejméně 5 minut, protože časté spuštění může poškodit kompresor.

Odmrazování

Rozmrazování chladničky a oddílu mrazničky se provádí automaticky, není nutný manuální provoz.

8.2 Čištění nádržky na vodu (obr. 8.2) (HSR3918EW*/HSR5918DW*)

1. Posuňte zámek (A) do polohy  „Zamknout“.
2. Vyměňte nádržku na vodu ze spotřebiče.
3. Demontujte víčko (C) a opatrně odšroubujte hrdlo dávkovače (B).
4. Nádržku na vodu a dávkovač vyčistěte teplou tekoucí vodou a tekutým mycím prostředkem na nádobí. Ujistěte se, že je všechno mýdlo opláchnuto.
5. Namontujte hrdlo dávkovače (B) a ujistěte se, že je pevně přišroubováno k nádržce na vodu a bílý O-kroužek (C) je ve správné poloze.
6. Stiskněte víčko, abyste jej spojili s jednou stranou nádržky na vodu a pak s druhou stranou, zkontrolujte, zda jsou nádržka na vodu a víčko kompletně smontovány.
7. Vyměňte nádrž uvnitř spotřebiče. Zkontrolujte, zda je hrdlo dávkovače správně zasunuto do otvoru dvířek.



8.3 Výměna LED lampy



VAROVÁNÍ!

LED lampu nevyměňujte sami, může ji vyměnit pouze výrobce nebo autorizovaný servisní zástupce.

Lampy používají jako světelný zdroj LED diodu s nízkou spotřebou energie a dlouhou životností. V případě jakýchkoli potíží se obraťte na zákaznický servis. Viz ZÁKAZNICKÝ SERVIS.

Parametry lamp: :12 V, max. 3 W.

8.4 Vypnutí na delší dobu

Pokud spotřebič není používán delší dobu a nebudete používat funkci Dovolená pro ledničku:

- ▶ Vyndejte jídlo.
- ▶ Vyprázdněte a vyčistěte nádržku na vodu.
- ▶ Odpojte napájecí kabel.
- ▶ Vyčistěte spotřebič, jak je popsáno výše.
- ▶ Ponechte dvířka otevřená, abyste zabránili vytváření nepříjemných pachů uvnitř.



Poznámka: Vypnutí

Spotřebič vypněte pouze v nezbytně nutných případech.

8.5 Přesun spotřebiče

1. Vyměte ze spotřebiče veškeré potraviny a odpojte jej.
2. Zajistěte poličky a další pohyblivé části v lednici a mrazničce lepicí páskou.
3. Nenakloňte spotřebič o více než 45°, aby nedošlo k poškození chladicího systému.



VAROVÁNÍ!

Nezvedejte spotřebič za madla.

- ▶ Spotřebič nikdy neumísťujte vodorovně na zem.

Mnoho vyskytujících se problémů můžete vyřešit sami bez konkrétních odborných znalostí. V případě problému zkontrolujte prosím všechny zobrazené možnosti a před kontaktováním prodejního servisu postupujte podle níže uvedených pokynů. Viz ZÁKAZNICKÝ SERVIS.



VAROVÁNÍ!

Před údržbou spotřebičů deaktivujte a odpojte síťovou zástrčku od síťové zásuvky.

- ▶ Elektrická zařízení by měla být servisována pouze kvalifikovanými elektrotechnickými odborníky, protože nesprávné opravy mohou způsobit značné následné škody.
- ▶ Poškozený napájecí kabel smí vyměnit pouze výrobce, servisní technik nebo osoba s podobnou příslušnou kvalifikací, jinak by mohlo dojít k úrazu.

Problém	Možná příčina	Možné řešení
Kompresor nefunguje.	<ul style="list-style-type: none"> • V síťové zásuvce není připojena síťová zástrčka. • Spotřebič je v cyklu rozmrazování. 	<ul style="list-style-type: none"> • Připojte síťovou zástrčku. • U automatického rozmrazování je to běžné.
Spotřebič běží často nebo příliš dlouhou dobu.	<ul style="list-style-type: none"> • Vnitřní nebo venkovní teplota je příliš vysoká. • Spotřebič je po určitou dobu vypnutý. • Dvířka spotřebiče nejsou těsně uzavřena. • Dvířka byla otevírána příliš často nebo na příliš dlouhou dobu. • Nastavení teploty oddílu mrazničky je příliš nízké. • Těsnění dvířek je špinavé, opotřebené, prasklé nebo mimo polohy. • Požadovaná cirkulace vzduchu není zaručena. 	<ul style="list-style-type: none"> • V tomto případě je běžné, aby spotřebič pracoval déle. • Obvykle trvá 8 až 12 hodin, než se spotřebič zcela zchladí. • Zavřete dvířka a ujistěte se, že je spotřebič umístěn na rovné zemi a že na dvířkách nejsou žádné potraviny ani nádoby. • Neotvírejte dvířka příliš často. • Nastavte vyšší teplotu, dokud nedosáhnete uspokojivé teploty chladničky. Trvá 24 hodin, než se teplota chladničky ustálí. • Vyčistěte těsnění dvířek nebo jej nechte vyměnit u zákaznického servisu. • Zajistěte dostatečnou ventilaci.
Vnitřní strana ledničky je špinavá a/nebo smrdí.	<ul style="list-style-type: none"> • Vnitřní část ledničky potřebuje vyčistit. • V ledničce jsou skladovány potraviny se silným zápachem. 	<ul style="list-style-type: none"> • Vyčistěte vnitřek ledničky. • Potraviny pečlivě zabalte.

Problém	Možná příčina	Možné řešení
V spotřebiči není dostatečný chlad.	<ul style="list-style-type: none"> • Teplota je nastavena příliš vysoko. • Bylo uloženo příliš teplé zboží. • Najednou bylo uloženo příliš mnoho potravin. • Zboží je příliš blízko sebe. • Dvířka spotřebiče nejsou těsně uzavřena. • Dvířka byla otevírána příliš často nebo na příliš dlouhou dobu. 	<ul style="list-style-type: none"> • Resetujte teplotu. • Před uskladněním zboží vždy ochladte. • Vždy skladujte malé množství potravin. • Ponechte mezeru mezi několika potravinami umožňující proudění vzduchu. • Zavřete dvířka. • Neotvírejte dvířka příliš často.
V spotřebiči je příliš chladno.	<ul style="list-style-type: none"> • Teplota je nastavena příliš nízko. • Funkce Super chlazení/Super mrazení je aktivována nebo běží příliš dlouho. 	<ul style="list-style-type: none"> • Resetujte teplotu. • Vypněte funkci Super chlazení/Super mrazení.
Uvnitř oddílu ledničky se tvoří vlhkost.	<ul style="list-style-type: none"> • Klima je příliš teplé a vlhké. • Dvířka spotřebiče nejsou těsně uzavřena. • Dvířka byla otevírána příliš často nebo na příliš dlouhou dobu. • Nádobý na potraviny nebo tekutiny jsou skladovány otevřené. 	<ul style="list-style-type: none"> • Zvyšte teplotu. • Zavřete dvířka. • Neotvírejte dvířka příliš často. • Nechte horké potraviny vychladnout na pokojovou teplotu a zakryjte potraviny a tekutiny.
Vlhkost se hromadí na vnějším povrchu ledniček nebo mezi dvířky.	<ul style="list-style-type: none"> • Klima je příliš teplé a vlhké. • Dvířka nejsou těsně zavřena. Chladný vzduch ve spotřebiči a teplý vzduch venku kondenzují. 	<ul style="list-style-type: none"> • To je běžné ve vlhkém podnebí a změní se to, když vlhkost klesne. • Ujistěte se, že jsou dvířka pevně zavřena.
Silný led a námraza v oddílu mrazničky.	<ul style="list-style-type: none"> • Zboží nebylo dostatečně zabaleno. • Dvířka/zásuvka spotřebiče nejsou těsně uzavřené. • Dvířka byla otevírána příliš často nebo na příliš dlouhou dobu. • Těsnění dvířek je špinavé, opotřebované, prasklé nebo mimo polohy. • Nějaký předmět uvnitř brání správnému zavření dvířek. 	<ul style="list-style-type: none"> • Vždy dobře zabalte zboží. • Zavřete dvířka/zásuvku. • Neotvírejte dvířka příliš často. • Vyčistěte těsnění dvířek nebo je vyměňte za nové. • Umístěte regály, stojany na dvířka nebo vnitřní nádoby tak, aby se dvířka mohla zavřít.

Problém	Možná příčina	Možné řešení
Spotřebič vydává abnormální zvuky.	<ul style="list-style-type: none"> Spotřebič není položen na rovném povrchu. Spotřebič se dotýká nějakého předmětu v blízkosti. 	<ul style="list-style-type: none"> Nastavte nožičky pro vyrovnání spotřebiče. Odstraňte předměty kolem spotřebiče.
Je třeba slyšet slabý zvuk podobný zvuku tekoucí vody.	<ul style="list-style-type: none"> To je běžné. 	<ul style="list-style-type: none"> –
Uslyšíte pípnutí alarmu.	<ul style="list-style-type: none"> Dvířka jsou otevřená. 	<ul style="list-style-type: none"> Zavřete dvířka.
Uslyšíte slabé hučení.	<ul style="list-style-type: none"> Antikondenzační systém funguje. 	<ul style="list-style-type: none"> Zabraňuje kondenzaci a je to běžné.
Vnitřní osvětlení nebo chladicí systém nefungují.	<ul style="list-style-type: none"> V síťové zásuvce není připojena síťová zástrčka. Napájení je poškozené. LED lampa je mimo provoz. 	<ul style="list-style-type: none"> Připojte síťovou zástrčku. Zkontrolujte napájení místnosti. Zavolejte místnímu dodavateli elektrické energie! Chcete-li vyměnit lampu, zavolejte na servisní oddělení.
Boky skříně a lišty dvířek se zahřívají.	<ul style="list-style-type: none"> To je běžné. 	<ul style="list-style-type: none"> –
Z hrdla dávkovače vody nevytéká žádná voda	<ul style="list-style-type: none"> Zámek není deaktivován. 	<ul style="list-style-type: none"> Deaktivujte zámek.

9.2 Přerušení napájení

V případě výpadku proudu by potraviny měly zůstat bezpečně studené po dobu přibližně 5 hodin. Při dlouhodobém výpadku proudu postupujte podle těchto rad, zejména v létě:

- ▶ Dvířka/zásuvku otevírejte co nejméně.
- ▶ Během výpadku napájení do spotřebiče nevkládejte další potraviny.
- ▶ Pokud budete předem informováni o přerušení napájení a doba přerušení je delší než 5 hodin, připravte trochu ledu a vložte jej do nádoby v horní části oddílu chladničky.
- ▶ Bezprostředně po přerušení se vyžaduje zkontrolovat zboží.
- ▶ Vzhledem k tomu, že teplota v ledničce se během výpadku proudu nebo jiné poruchy zvýší, doba skladování a jedlá kvalita potravin se zkrátí. Veškeré potraviny, které rozmrazujete, by měly být buď zkonsumovány, nebo uvařeny a brzy poté znovu zmrazeny (je-li to vhodné), aby se předešlo zdravotním rizikům.



Poznámka: Funkce paměti při výpadku napájení

Po obnovení napájení spotřebič pokračuje s nastaveními, která byla nastavena před výpadkem napájení.

10.1 Vybalení



VAROVÁNÍ!

- ▶ Spotřebič je těžký. Vždy s ním manipulujte s nejméně dvěma osobami.
- ▶ Uchovávejte všechny obalové materiály mimo dosah dětí a likvidujte je způsobem šetrným k životnímu prostředí.

- ▶ Vyměňte spotřebič z obalu.
- ▶ Odstraňte všechny obalové materiály včetně průhledné ochranné fólie.

10.2 Okolní podmínky

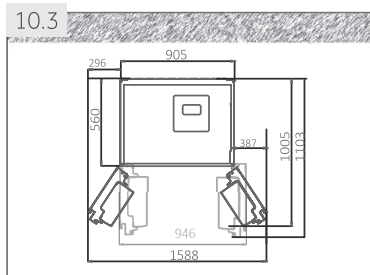
Teplota v místnosti by měla být vždy mezi 16 °C a 43 °C, protože může ovlivnit teplotu uvnitř spotřebiče a jeho spotřebu energie. Spotřebič neinstalujte v blízkosti jiných tepelných spotřebičů (trouby, ledničky) bez izolace.

—rozšířené mírné pásmo: „Tento chladicí spotřebič je určen k používání při teplotách okolí od 10 °C do 32 °C.“;

—mírné pásmo: „Tento chladicí spotřebič je určen k používání při teplotách okolí od 16 °C do 32 °C.“;

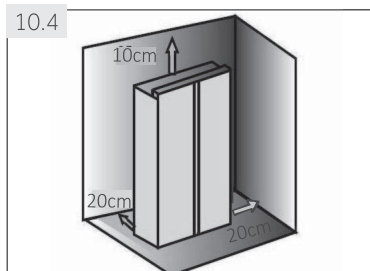
—subtropické pásmo: „Tento chladicí spotřebič je určen k používání při teplotách okolí od 16 °C do 38 °C.“;

—tropické pásmo: „Tento chladicí spotřebič je určen k používání při teplotách okolí od 16 °C do 43 °C.“;



10.3 Požadavek na prostor

Požadovaný prostor při otevření dvířek (obr. 10.3): Šířka spotřebiče: 1588 mm Hloubka spotřebiče: 1103 mm



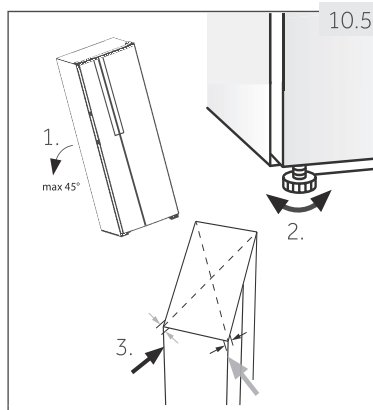
10.4 Průřezové míry pro větrání

Aby bylo z bezpečnostních důvodů, dosaženo dostatečné větrání spotřebiče musí být dodrženy informace o požadovaných průřezových mírách pro větrání (obr. 10.4).

10.5 Zarovnání spotřebiče

Spotřebič by měl být umístěn na rovném a pevném povrchu.

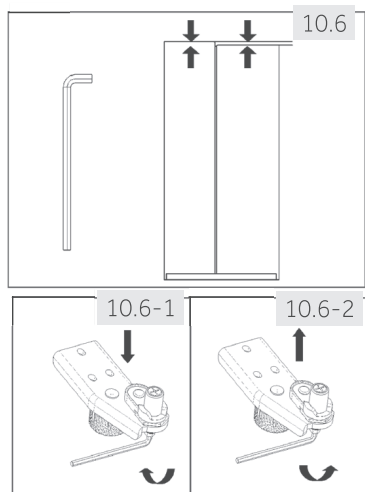
1. Spotřebič mírně nakloňte dozadu (obr. 10.5).
2. Nastavte nožičky na požadovanou úroveň.
Ujistěte se, že vzdálenost od stěny na stranách pantů je nejméně 5 cm.
3. Stabilitu lze kontrolovat střídavým nárazem na úhlopříčky. Mírné kývání by mělo být stejné v obou směrech. V opačném případě se rám může deformovat; výsledkem může být případný únik přes těsnění dvířek. Mírné naklonění dozadu usnadňuje zavírání dvířek.



10.6 Jemné doladění dvířek

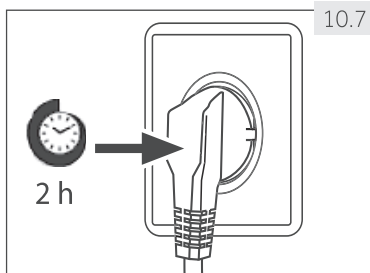
Pokud dvířka po jejich vyrovnaní pomocí nožiček stále nejsou v jedné rovině, lze tento nesoulad napravit otočením hřídele pro zvedání pantů v pravém spodním rohu chladicích dvířek pomocí klíče (obr. 10.6)

- ▶ Otočte hřídel pro zvedání klíčem ve směru hodinových ručiček do dolní výšky dvířek (obr. 10.6-1).
- ▶ Otočte hřídel pro zvedání proti směru hodinových ručiček pomocí klíče pro zdvižení výšky dvířek (obr. 10.6-2).



VAROVÁNÍ!

Nenastavujte hřídel pro zvedání pantu nadměrně do výšky, která by mohla způsobit, že hřídel opustí svou původní zajištěnou polohu. (Nastavitelný výškový rozsah: 3 mm)



10.7 Čekací doba

Bezúdržbový mazací olej je umístěn v kapsli kompresoru. Tento olej může vytéct do uzavřeného potrubního systému během přepravy v šikmé poloze. Před připojením spotřebiče ke zdroji napájení musíte počkat alespoň 2 hodiny (obr. 10.7), aby olej stékal zpět do kapsle.

10.8 Elektrické připojení Před každým připojením zkontrolujte, zda:

- ▶ zásuvka napájení a pojistky odpovídají jmenovitému štítku.
- ▶ napájecí zásuvka je uzemněna a není v ní žádný adaptér a prodlužovací kabel s více zásuvkami.
- ▶ zástrčka a zásuvka jsou přesně podle standardů.

Připojte zástrčku do správně nainstalované zásuvky pro domácnost.



VAROVÁNÍ!

Aby se předešlo rizikům, musí být poškozený napájecí kabel vyměněn zákaznickým servisem (viz záruční list).

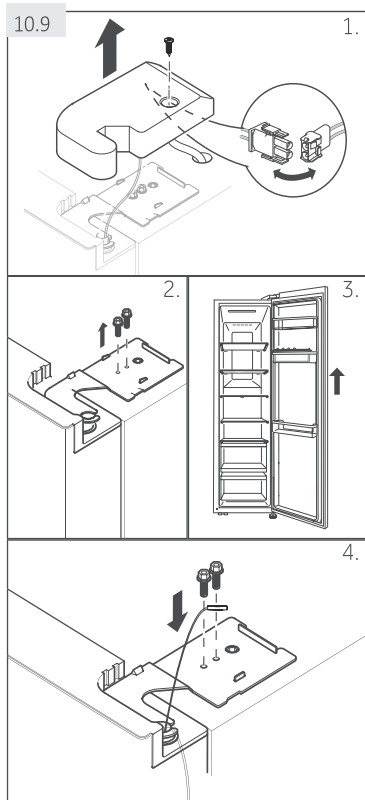
10.9 Demontáž a montáž dvířek

V případě nutnosti demontáže dvířek spotřebiče postupujte podle níže uvedených pokynů pro demontáž a instalaci dvířek (obr. 10.9)



VAROVÁNÍ!

- ▶ Před každým provozem spotřebiče deaktivujte a odpojte síťovou zástrčku od síťové zásuvky.
- ▶ Spotřebič je těžký. Vždy s ním manipulujte s nejméně dvěma osobami.
- ▶ Spotřebič nenaklánějte o více než 45° ani jej neumísťujte vodorovně na zem



1. Odšroubujte šroub krytu pantu a sejměte kryt. Uvolněte konektor kabelu.

2. Odšroubujte šrouby, které drží horní pant ve správné poloze, a poté pant demontujte.

3. Zvedněte dvířka oddílu ledničky a vyjměte je.

4. Dveře namontujte zpátky obráceným postupem demontáže. Zajistěte, aby byl uzemňovací kabel upevněn šroubem.

i Poznámka: Dvířka ledničky

Na obrázcích je znázorněna demontáž dvířek oddílu chladničky. Pro dvířka mrazničky použijte odpovídající díly na druhé straně

i U volně stojícího spotřebiče: „Tento chladicí spotřebič není určen k vestavění.“

11.1 Výrobní list podle nařízení EU č. 2019/2016

Ochranná známka	Haier
Identifikátor modelu	HSR3918FN*/EN*/EW* HSR5918DN*/DW*
Kategorie modelu	Chladnička-mraznička
Třída energetické účinnosti	F/E/E/D/D
Roční spotřeba energie (kWh/rok)	399/317/317/258/256
Chlazení skladovacího objemu (L)	337/337/330/337/330
Zmrazení skladovacího objemu (L)	191/191/191/191/191
Hodnocení hvězdičkami	
Teplota ostatních oddílů > 14 °C	Nepoužije se
Beznámrazový systém	Ano
Doba nárůstu teploty (h)	5/7/7/7/7
Zmrazovací kapacita (kg / 24h)	12/14/14/14/14
Klimatická třída Tento spotřebič je určen k použití při okolní teplotě mezi 10 °C a 38 °C.	SN-N-ST
Emise akustického hluku ve vzduchu (db(A) re 1pW)	C(38)
Typ výstavby	Volně stojící

Na základě výsledků standardních testů po dobu 24 hodin. Skutečná spotřeba energie bude záviset na tom, jak je spotřebič používán a kde je umístěn.

11.1.1 Dodatečné technické údaje

Napětí/kmitočet	220–240V-/ 50Hz
Příkon (W)	200
Hlavní pojistka (A)	15
Chladicí kapalina	R600a
Rozměry (V/Š/H v mm)	1775/908/647

11.1.2 Normy a směrnice

Tento výrobek splňuje požadavky všech použitelných směrnic ES s odpovídajícími harmonizovanými normami, které stanoví označení CE.

Doporučujeme náš zákaznický servis Haier a použití originálních náhradních dílů.

Pokud máte problém se spotřebičem, nejprve zkontrolujte sekci ODSTRAŇOVÁNÍ PROBLÉMŮ.

Pokud tam nemůžete najít řešení, kontaktujte

- ▶ místního prodejce nebo
- ▶ oblastní oddělení servisu a podpory na www.haier.com, kde najdete telefonní čísla, často kladené otázky a kde můžete aktivovat nárok na službu.

Chcete-li kontaktovat náš servis, ujistěte se, že máte k dispozici následující údaje.

Informace naleznete na typovém štítku.

Model _____ Sériové č. _____

V případě záruky zkontrolujte také záruční list dodaný s výrobkem.

DOSTUPNOST NÁHRADNÍCH DÍLŮ

Termostaty, teplotní čidla, desky plošných spojů a zdroje světla, po dobu alespoň sedmi let poté, co byl na trh uveden poslední kus daného modelu;

Dveřní kliky, dveřní závěsy, příhrádky a koše po dobu alespoň sedmi let a těsnění dveří po dobu alespoň deseti let poté, co byl na trh uveden poslední kus daného model

ZÁRUKA

Minimální záruka je: 2 roky pro země EU, 3 roky pro Turecko, 1 rok pro Spojené království, 1 rok pro Rusko, 3 roky pro Švédsko, 2 roky pro Srbsko, 5 let pro Norsko, 1 rok pro Maroko, 6 měsíců pro Alžírsko, pro Tunisko není vyžadována žádná právní záruka.

*Pro více informací prosím jděte na www.haier.com

*Další informace o produktu naleznete na adrese <https://eprel.ec.europa.eu/> nebo naskenujte QR na energetickém štítku dodaném se zařízením



Haier



0060524101F



Návod na použitie

Chladnička s mrazničkou

HSR3918EN*

HSR3918EW*

HSR3918FN*

HSR5918DN*

HSR5918DW*

*=PW,PB,PL,PG,PN,MP,MB

SK

Haier

Ďakujeme za zakúpenie produktu Haier.

Pred použitím tohto spotrebiča si pozorne prečítajte tieto pokyny. Pokyny obsahujú dôležité informácie, ktoré vám pomôžu vyťažiť zo spotrebiča maximum a zaisťujú bezpečnú a správnu inštaláciu, používanie a údržbu.

Túto príručku uschovajte na vhodnom mieste, aby ste si mohli kedykoľvek prečítať pokyny na bezpečné a správne používanie spotrebiča.

Ak spotrebič predávate, darujete alebo ho nechávate v domácnosti po odťahovaní, nezabudnite s ním novému vlastníkovi odovzdať aj túto príručku, aby sa mohol oboznámiť so spotrebičom a bezpečnostnými upozoreniami.

Vysvetlivky

Varovanie – Dôležité bezpečnostné informácie



Všeobecné informácie a tipy



Informácie o životnom prostredí



Likvidácia

Pomáhajte chrániť životné prostredie a zdravie ľudí. Obal vyhodte do vhodných nádob na recykláciu. Pomáhajte recyklovať odpad z elektrických a elektronických prístrojov. Zariadenia označené týmto symbolom nelikvidujte s domácim odpadom. Výrobok odneste do miestneho recyklačného strediska alebo kontaktujte mestský úrad.



VAROVANIE!

Nebezpečenstvo poranenia alebo zadusenía!

Chladivá a plyny sa musia likvidovať profesionálnym spôsobom. Pred správnu likvidáciou sa uistite, že nie je poškodené potrubie okruhu chladiva. Spotrebič odpojte od elektrickej siete. Odrežte a zlikvidujte napájací kábel. Vyberte podnosy a zásuvky, ako aj západku a tesnenie dverí, aby ste zabránili zatvoreniu detí a domácich zvierat vnútri spotrebiča.

Staré spotrebiče majú ešte stále určitú zostatkovú hodnotu. Ekologický spôsob likvidácie zabezpečí opätovné zhodnotenie cenných surovín a ich opätovné použitie.

Ako expandér izolačnej peny sa používa cyklopentán. Je to horľavá látka, ktorá nie je škodlivá pre ozón.

Zabezpečením správnej likvidácie tohto výrobku pomôžete zabrániť možným negatívnym vplyvom na životné prostredie a ľudské zdravie, ku ktorým by v opačnom prípade mohlo dôjsť.

Podrobnejšie informácie o recyklácii tohto výrobku získate na príslušnom miestnom úrade, v zberných surovinách alebo v predajni, kde ste si výrobok zakúpili.

1 - Bezpečnostné informácie	4
2 - Určené použitie	8
3 - Opis produktu.....	10
4 - Ovládací panel	11
5 - Použitie	12
6 - Tipy na úsporu energie	20
7 - Vybavenie	21
8 - Starostlivosť a čistenie	23
9 - Riešenie problémov.....	25
10 - Inštalácia.....	28
11 - Technické údaje	31
12 - Zákaznícky servis	32

Pred prvým zapnutím spotrebiča si prečítajte nasledujúce bezpečnostné pokyny:



VAROVANIE!

Pred prvým použitím

- ▶ Uistite sa, že sa spotrebič pri preprave nepoškodil.
- ▶ Odstráňte všetky obaly a uložte ich mimo dosahu detí.
- ▶ Pred inštaláciou spotrebiča počkajte najmenej dve hodiny, aby sa zabezpečila plná účinnosť chladiaceho okruhu.
- ▶ Spotrebič musia prenášať minimálne dve osoby, pretože je ťažký.

Inštalácia

- ▶ Spotrebič musí byť umiestnený na dobre vetranom mieste. Uistite sa, že nad spotrebičom ostalo aspoň 20 cm, a okolo neho 10 cm voľného priestoru.
- ▶ Spotrebič nikdy neumiestňujte na vlhké miesto ani na miesto, kde by mohla striekať voda. Postriekania vodou a škvrny vyčistite a osušte mäkkou čistou handričkou.
- ▶ Spotrebič neinštalujte na priame slnečné svetlo ani do blízkosti zdrojov tepla (napr. kachle, ohrievače).
- ▶ Spotrebič nainštalujte a vyrovnajte na mieste, ktoré je vhodné svojou veľkosťou a využitím.
- ▶ Vetracie otvory v spotrebiči alebo v zabudovanej konštrukcii udržiavajte bez prekážok.
- ▶ Uistite sa, že elektrické údaje na typovom štítku sa zhodujú s údajmi pre vašu sieť. V opačnom prípade kontaktujte elektrikára.
- ▶ Spotrebič funguje pri 220 – 240 VAC/50 Hz napájaní. Abnormálne kolísanie napätia môže spôsobiť, že sa spotrebič nezapne, poškodí sa regulátor teploty alebo kompresor alebo sa môže pri prevádzke vyskytnúť neobvyklý hluk. V takom prípade musíte namontovať automatický regulátor.
- ▶ Použite samostatnú uzemnenú zásuvku, aby k nej bol zabezpečený jednoduchý prístup. Spotrebič musí byť uzemnený.
- ▶ **Len pre Spojené kráľovstvo:** Napájací kábel spotrebiča je vybavený 3-vodičovou (uzemňovacou) zástrčkou, ktorá sa vsúva do štandardnej 3-vodičovej (uzemnenej) zásuvky. Tretí kolík (uzemnenie) nikdy neodrezávajte ani neodstraňujte. Po inštalácii spotrebiča musí byť zástrčka prístupná.
- ▶ Nepoužívajte adaptéry s viacerými zásuvkami ani predlžovacie káble.
- ▶ Uistite sa, že napájací kábel nie je zachytený v spotrebiči. Na napájací kábel nestúpajte.
- ▶ Nepoškodte chladiaci okruh.
- ▶ Na zadnú stranu spotrebiča neumiestňujte rozvodné prenosné zásuvky ani prenosné zdroje napájania.



VAROVANIE!

Každodenné používanie

- ▶ Deti staršie ako 8 rokov a osoby s obmedzenými fyzickými, zmyslovými alebo duševnými schopnosťami alebo nedostatkom skúseností či vedomostí môžu tento spotrebič používať pod dohľadom, resp. po poučení a oboznámení sa s bezpečným spôsobom používania a porozumení možným nebezpečenstvám.
- ▶ Deti vo veku od 3 do 8 rokov môžu do chladiacich spotrebičov nakladať a vykladať potraviny, nesmú ich však čistiť ani inštalovať.
- ▶ Deťom do 3 rokov nedovoľte, aby sa priblížili ku spotrebiču, pokiaľ nie sú pod neustálym dohľadom.
- ▶ Čistenie a údržbu nesmú vykonávať deti bez dozoru.
- ▶ Deti sa so spotrebičom nesmú hrať.
- ▶ Zariadenie musí byť umiestnené tak, aby bola zástrčka prístupná.
- ▶ Ak do blízkosti spotrebiča uniká studený plyn alebo iný horľavý plyn, zatvorte ventil unikajúceho plynu, otvorte dvere a okná a neodpájajte zástrčku napájacieho kábla spotrebiča ani iného zariadenia.
- ▶ Všimnite si, že spotrebič je nastavený na prevádzku v špecifickom klimatickom pásme 10 až 38 °C. Spotrebič možno nebude fungovať správne, ak sa ponechá dlho v prostredí s teplotou, ktorá je vyššia alebo nižšia než je uvedený rozsah.
- ▶ Na zariadenie neumiestňujte nestabilné predmety (ťažké predmety, nádoby naplnené vodou), aby nedošlo k zraneniu osôb pádom alebo úrazu elektrickým prúdom po kontakte s vodou.
- ▶ Neťahajte za police vo dverách. Dvere by sa mohli skriviť, stojan na fľaše odtrhnúť alebo by sa spotrebič mohol prevrátiť.
- ▶ Dvere otvárajte a zatvárajte iba pomocou rúkavít. Medzera medzi dverami a medzi dverami a skrinkou je veľmi úzka. Do týchto priestorov nesiahajte, aby nedošlo k pricviknutiu prstov. Dvere otvárajte alebo zatvárajte iba vtedy, ak v rozsahu pohybu dverí nestoja žiadne deti.
- ▶ V spotrebiči ani v jeho blízkosti neskladujte a nepoužívajte horľavé, výbušné alebo korozívne materiály.
- ▶ V spotrebiči neskladujte lieky, baktérie ani chemické látky. Toto zariadenie je spotrebič pre domácnosť. Neodporúča sa skladovať materiály, ktoré vyžadujú presné teploty.
- ▶ V mrazničke nikdy neskladujte tekutiny vo fľašiach alebo plechovkách (okrem liehovín s vysokým obsahom alkoholu), najmä sýtené nápoje, pretože tieto počas mrazenia prasknú.

**VAROVANIE!****Každodenné používanie**

- ▶ Ak došlo v mrazničke k ohrevu, skontrolujte stav potravín.
- ▶ V chladiacom priestore nenastavujte zbytočne nízku teplotu. Pri vysokých nastaveniach sa môžu vyskytnúť mínusové teploty. Pozor: Flaše môžu prasknúť.
- ▶ Zmrazených potravín sa nedotýkajte mokkými rukami (nasad'te si rukavice). Najmä nekonzumujte nanuky ihneď po vybratí z mrazničky. Existuje riziko primrznutia alebo vytvorenia pluzgierov z mrazu. PRVÁ pomoc: ihneď vložte pod tečúcu studenú vodu. Neodstraňujte ťahaním!
- ▶ Počas prevádzky sa nedotýkajte vnútorného povrchu priestoru mrazničky, najmä nie mokkými rukami, pretože by vám mohli ruky primrznúť k povrchu.
- ▶ V prípade prerušenia napájania alebo pred čistením odpojte spotrebič zo zásuvky. Pred opätovným zapnutím spotrebiča počkajte najmenej 5 minút, pretože časté štartovanie môže poškodiť kompresor.
- ▶ Vo vnútri boxov spotrebiča, ktoré slúžia na skladovanie potravín, nepoužívajte elektrické zariadenia, pokiaľ ich používanie neschválil výrobca.
- ▶ Pitnú vodu používajte len s modelmi s dávkovačom vody.

Údržba/čistenie

- ▶ Keď čistenie a údržbu vykonávajú deti, nenechávajte ich bez dozoru.
- ▶ Pred vykonávaním akejkoľvek bežnej údržby odpojte spotrebič od elektrickej siete. Pred opätovným zapnutím spotrebiča počkajte najmenej 5 minút, pretože časté štartovanie môže poškodiť kompresor.
- ▶ Pri odpájaní spotrebiča chyťte zástrčku, nie kábel.
- ▶ Námrazu a ľad nezoškrabávajte ostrými predmetmi. Nepoužívajte spreje, elektrické ohrievače ako ohrievač, sušič vlasov, parné čističe alebo iné zdroje tepla, aby nedošlo k poškodeniu plastových častí.
- ▶ Na urýchlenie odmrazovania nepoužívajte mechanické nástroje ani iné prostriedky s výnimkou tých, ktoré odporúča výrobca.
- ▶ Spotrebič nečistite tvrdými kefami, drôtenými kefami, čistiacim práškom, benzínom, amylacetátom, acetónom ani podobnými organickými roztokmi, kyselinami ani zásadami. Čistite pomocou špeciálneho čistiaceho prostriedku na chladničky, aby ste zabránili poškodeniu.
- ▶ Prípadne použite teplú vodu a roztok sódy bikarbóny – približne lyžicu sódy bikarbóny na liter vody. Dôkladne opláchnite vodou a utrite dosucha. Nepoužívajte čistiace prášky ani iné abrazívne čistiace prostriedky. Odnímateľné časti neumývajte v umývačke riadu



VAROVANIE!

Údržba/čistenie

- ▶ Ak je poškodený vonkajší napájací kábel, v záujme eliminácie akéhokoľvek rizika ho musí vymeniť výrobca, jeho servisný zástupca alebo rovnako kvalifikovaná osoba.
- ▶ Spotrebič sa nepokúšajte sami opravovať, rozoberať alebo upravovať. V prípade opravy kontaktujte náš zákaznícky servis.
- ▶ Ak sú poškodené žiarovky, v záujme eliminácie akéhokoľvek rizika ich musí vymeniť výrobca, jeho servisný zástupca alebo rovnako kvalifikovaná osoba.
- ▶ Aspoň raz za rok odstráňte prach zo zadnej strany jednotky, aby ste predišli nebezpečenstvu požiaru a zvýšenej spotrebe energie.
- ▶ Počas čistenia na spotrebič nestriekajte ani ho neoplachujte.
- ▶ Na čistenie spotrebiča nepoužívajte prúd vody ani paru.
- ▶ Studené sklenené poličky neumývajte horúcou vodou. Náhla zmena teploty môže spôsobiť rozbitie skla.
- ▶ Ak spotrebič nebudete dlhšiu dobu používať, nechajte ho otvorený, aby sa vo vnútri nehromadil zápach a nepríjemné pachy.

Informácie o chladiacom plyne



VAROVANIE!

Spotrebič obsahuje horľavé chladivo IZOBUTÁN (R600a). Uistite sa, že sa počas prepravy alebo inštalácie nepoškodil chladiaci okruh. Unikajúce chladivo môže spôsobiť poranenie očí alebo vznietenie. Ak došlo k poškodeniu, udrzte zdroje otvoreného ohňa mimo, dôkladne vyvetrajte miestnosť a nepripájajte ani neodpájajte napájacie káble spotrebiča alebo akéhokoľvek iného zariadenia. Informujte zákaznícky servis.

V prípade, že sa chladivo dostane do kontaktu s očami, ihneď ich vypláchnite pod tečúcou vodou a okamžite kontaktujte očnému lekárovi.


VAROVANIE: Chladiaci systém je pod vysokým tlakom. Nemanipulujte s ním. Vzhľadom na použitie horľavých chladív spotrebič nainštalujte, manipulujte s ním a opravujte ho výhradne podľa pokynov. Informácie o likvidácii spotrebiča vám poskytne profesionálny zástupca alebo náš popredajný servis.

2.1 Určené použitie

Tento spotrebič je určený na používanie v domácnostiach a podobných aplikáciách, ako sú

- kuchynské priestory pre personál v obchodoch, úradoch a iných pracovných prostrediach;
 - farmy, ako aj na použitie pre zákazníkov v hoteloch, moteloch a ďalších prostrediach rezidenčného typu,
 - prostredie typu prenocovania s raňajkami;
 - stravovacie služby a podobné, iné ako maloobchodné, priestory.
- Ak sa spotrebič nepoužíva dlhšiu dobu a v chladničke/mrazničke budete používať iba funkciu Holiday alebo funkciu vypnutia chladničky:
- Vyberte potraviny.
 - Odpojte napájací kábel.
 - Vyprázdnite a vyčistite nádrž na vodu.
 - Spotrebič vyčistite podľa vyššie uvedeného návodu.
 - Dvere nechajte otvorené, aby sa vo vnútri nevytvárali nepríjemné pachy.
- Bezpečné uchovávanie potravín alebo vína zaistíte postupom podľa tohto návodu na použitie.
- Aby sa zabránilo kontaminácii potravín (neplatí pre vinotéku), dodržiavajte nasledujúce pokyny:
- Otvorenie dverí na dlhší čas môže spôsobiť výrazné zvýšenie teploty v priehradkách spotrebiča.
 - Pravidelne čistite povrchy, ktoré môžu prísť do styku s potravinami a dostupné systémy vypúšťania.
 - Ak sa nádrže na vodu nepoužívali dlhšie než 48 hodín, vyčistite ich. Prepláchnite vodný systém pripojený k vodovodnej prípojke, ak voda nebola odčerpaná viac než 5 dní.
 - Surové mäso a ryby skladujte v chladničke/mrazničke vo vhodných nádobách tak, aby sa nedostali do kontaktu s inými potravinami alebo aby z nich nekvapali šťavy na iné potraviny. Na zaistenie bezpečného zachovania potravín musíte hotové potraviny a surové mäso/ryby skladovať osobitne.
 - Dvojhviezdičkové priehradky na mrazené potraviny sú vhodné na skladovanie vopred zmrazených potravín, skladovanie alebo výrobu zmrzliny a výrobu kociiek ľadu.
 - Priehradky s jednou, dvomi a tromi hviezdikami nie sú vhodné na mrazenie čerstvých potravín.
 - Ak chcete nechať chladiaci spotrebič dlhší čas prázdny, vypnite ho, rozmrazte, vyčistite, vysušte a dvere nechajte otvorené, aby sa vo vnútri spotrebiča nerozmnožovali plesne.
- Podrobnosti o najvhodnejšej časti v priehradke spotrebiča, kde sa majú skladovať určité druhy potravín, s ohľadom na rozloženie teploty, ktorá môže byť prítomná v rôznych priehradkách spotrebiča, sú uvedené v inej príručke.

Likvidácia

Symbol  na výrobku alebo jeho balení označuje, že sa s ním nesmie zaobchádzať ako s komunálnym odpadom. Namiesto toho je treba spotrebič odovzdať v príslušnom zbernom stredisku na recykláciu elektrických a elektronických zariadení. Zabezpečením správnej likvidácie tohto výrobku pomôžete zabrániť možným negatívnym vplyvom na životné prostredie a ľudské zdravie, ktoré by inak mohli byť spôsobené nevhodným postupom pri jeho likvidácii. Podrobnejšie informácie o recyklácii tohto výrobku získate na príslušnom miestnom úrade, v zberných surovinách alebo v predajni, kde ste si výrobok zakúpili.

Vzhľadom na použitie horľavých plynov dajte spotrebič zlikvidovať profesionálnemu zástupcovi alebo v našom popredajnom servise.

VAROVANIE!**Nebezpečenstvo zadusení!**

Chladivá a plyny sa musia likvidovať profesionálnym spôsobom. Pred správnou likvidáciou sa uistite, že nie je poškodené potrubie okruhu chladiva. Spotrebič odpojte od elektrickej siete. Odrežte a zlikvidujte napájací kábel. Vyberte podnosy a zásuvky, ako aj západku a tesnenie dverí, aby ste zabránili zatvoreniu detí a domácich zvierat vnútri spotrebiča.

Zmeny alebo úpravy spotrebiča nie sú povolené. Neúmyselné použitie môže spôsobiť nebezpečenstvo a stratu nárokov na záruku.

2.2 Príslušenstvo

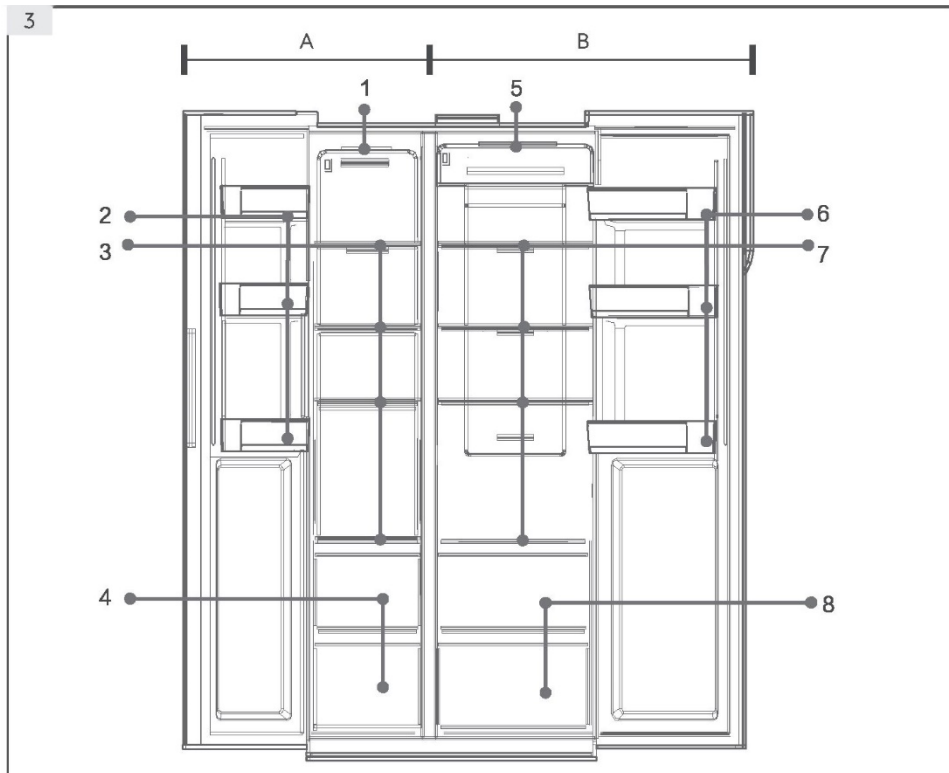
Skontrolujte príslušenstvo a dokumentáciu podľa tohto zoznamu (obr. 2.2):



Poznámka

Z dôvodu technických zmien a rôznych modelov sa môžu niektoré ilustrácie v tejto príručke líšiť od vášho modelu.

Obrázky spotrebičov (obr. 3)

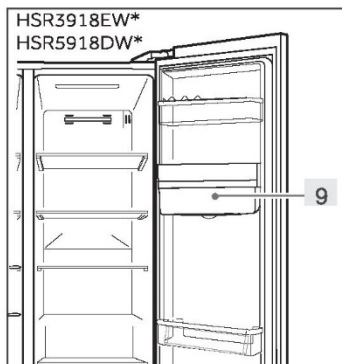


A: Mraziaci priestor

- 6 Stropné svetidlo
- 7 Stojan na dvere/držiak na fľaše
- 8 Police mrazničky
- 9 Box mrazničky

B: Chladiaci priestor

- 1 Stropné svetidlo
- 2 Stojan na dvere/držiak na fľaše
- 3 Police chladničky
- 4 Box chladničky
- 5 Nádrž na vodu



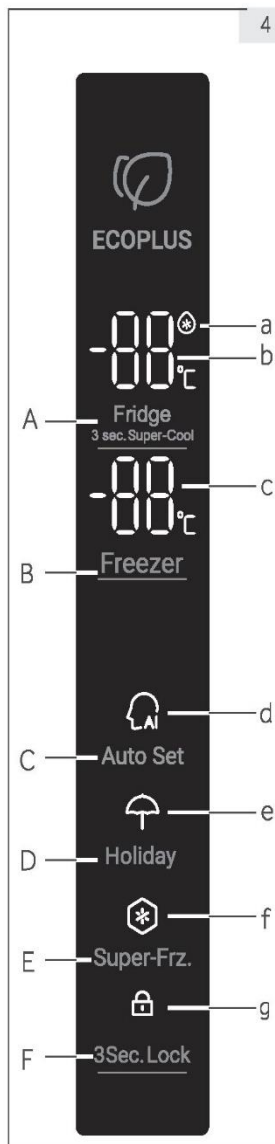
Ovládací panel (obr. 4)

Tlačidlá:

- A Volič chladničky
- B Volič mrazničky
- C Režim Auto Set
- D Režim Holiday
- E Režim Super-Freeze
- F Volič uzamknutia panelu

Indikátory:

- a Režim Super-Cool
- b Teplota chladničky
- c Teplota mrazničky
- d Režim Auto Set
- e Režim Holiday
- f Režim Super-Freeze
- g Zámka panelu



5.1 Prvé použitie

Po prvom zapojení chladničky do elektrickej siete sa rozsvieti displej. Predvolená teplota chladničky je 4 °C a mrazničky -18 °C. Kontrolka inteligentnej funkcie svieti.

5.2 Uzamknutie a odomknutie panela

Automatické zamknutie:

Keď sú dvere chladničky a dvere mrazničky zatvorené a počas 30 sekúnd nestlačíte žiadne tlačidlo, kontrolka panelu sa automaticky vypne a panel je uzamknutý.

Manuálne zamknutie:

Keď je panel odomknutý, stlačte tlačidlo uzamknutia na 3 sekundy, bzučiak zabzučí, zapne sa indikátor uzamknutia a displej bude uzamknutý.



Stlačte na 3 sekundy.

indikátor je
zapnutý Panel je
uzamknutý

Odomknutie:

Keď je panel vypnutý, otvorte niektoré dvere chladničky alebo sa dotknite ľubovoľného tlačidla na ovládacom paneli, panel sa rozsvieti. V danom okamihu je panel uzamknutý. Stlačte na 3 sekundy funkčné tlačidlo uzamknutia, zaznie bzučiak, indikátor uzamknutia zhasne a panel bude odomknutý.



Panel je zapnutý
Otvorte dvere
alebo stlačte
ľubovoľné tlačidlo

Podržte
3 sekundy

Indikátor nesvieti Panel je
odomknutý

5.3 Nastavenie teploty chladničky

- Keď je ovládací panel odomknutý, stlačte „volič chladničky“, zaznie bzučiak. Indikátor teploty chladničky bliká. Teraz je možné nastaviť teplotu chladničky.
- Potom pri každom stlačení voliča chladničky zaznie bzučiak a hodnota nastavenia sa zníži o 1. Sekvencia posunu sa opakuje v rámci nepretržitej slučky
„4°C/3°C/2°C/1°/9°C/8°C/7°C/6°C/5°C/4°C“



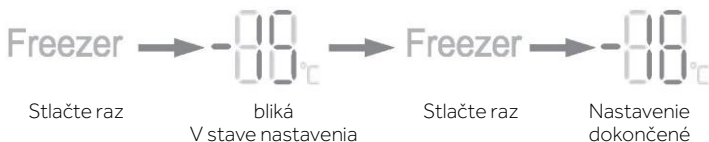
Poznámka

- Spotrebič je prednastavený na odporúčanú teplotu 4 °C (chladnička) a -18 °C (mraznička). Za normálnych podmienok prostredia nemusíte nastavovať teplotu.

5.4 Regulácia teploty mrazničky

1. Keď je ovládací panel odomknutý, stlačte volič mrazničky, čím zaznie bzučiak a bliká indikátor teploty mrazničky. Teraz je možné nastaviť teplotu mrazničky.

2. Potom pri každom stlačení voliča mrazničky zaznie bzučiak a hodnota teploty sa zníži o 1 stupeň. Sekvencia posunu sa opakuje v rámci nepretržitej slučky „-18°C/-19°C/-20°C/-21°C/-22°C/-23°C/-24°C/-14°C/-15°C/-16°C/-17°C/-18°C“.



Poznámka

- Teplota sa nastaví, ak do 5 sekúnd nestlačíte žiadne tlačidlo, teplota sa automaticky potvrdí a uloží.

5.5 Auto Set

1. Keď je ovládací panel odomknutý, stlačte „Auto set mode selector“ (volič režimu automatického nastavenia), zaznie bzučiak a rozsvieti sa kontrolka Auto set. Spustí sa režim Auto Set.

2. Keď je indikátor režimu automatického nastavenia Auto Set zapnutý, stlačte volič režimu automatického nastavenia Auto Set, zaznie bzučiak, indikátor režimu Auto Set je vypnutý a režim Auto Set sa zatvorí.



Poznámka

- Keď je zapnutý režim automatického nastavenia Auto Set, nie je možné zvoliť teplotu chladničky ani teplotu mrazničky. Po stlačení voliča chladničky alebo voliča mrazničky bliká indikátor režimu Auto Set, pričom zvuk pripomína, že úkon je povolený. V režime Auto Set, ak je zvolená funkcia Fast Cool, Fast Freeze alebo Holiday, režim Auto Set je vypnutý a režim Auto Set sa automaticky zatvorí.

5.6 Režim Holiday

Režim Holiday je určený pre situáciu, kedy sa chladnička nebude dlho používať. Keď je zapnutý režim Holiday, je možné zvoliť teplotu mrazničky, zatiaľ čo teplota chladničky sa automaticky nastaví na 17 °C, čo zabraňuje akémukolvek zápachu v dôsledku vysokej teploty v chladničke a tiež šetrí spotrebu energie.

1. Keď je ovládací panel odomknutý, stlačte „Volič režimu Holiday“, zaznie bzučiak a zapne sa indikátor dovolenkovej funkcie Holiday. Spustí sa režim Holiday.
2. Keď svieti kontrolka režimu Holiday, stlačte volič funkcie Holiday. Zaznie bzučiak, indikátor režimu Holiday zhasne a režim Holiday sa zatvorí.



Poznámka

- Keď je zapnutý režim Holiday, nie je možné zvoliť teplotu chladničky. Po stlačení voliča chladničky bliká indikátor režimu Holiday a znie zvuk pripomínajúci, že prevádzka nie je povolená. Pred výberom dovolenkového režimu Holiday vyprázdňte priestor chladničky, aby ste predišli znehodnoteniu potravín. Keď je dovolenkový režim Holiday zapnutý, nie je možné súčasne zvoliť inteligentnú funkciu a funkciu rýchleho chladenia Fast Cool. Ak je zvolený inteligentný režim alebo režim rýchleho chladenia Fast Cool, indikátor dovolenkového režimu Holiday zhasne a funkcia sa automaticky vypne.

5.7 Režim Super-Cool

1. Keď je ovládací panel odomknutý, stlačte „volič chladničky“ na 3 sekundy. Zaznie bzučiak a rozsvieti sa kontrolka super chladenia Super Cool. Spustí sa Super-Cool.
2. Keď svieti kontrolka Super-Cool, stlačte volič chladničky na 3 s. Zaznie bzučiak a kontrolka Super-Cool zhasne. Režim Super Cool sa zatvorí.
3. Po zapnutí režimu Super-Cool sa chladnička po dosiahnutí nastaveného stavu pre super-Cool automaticky prepne do stavu vypnutia režimu super-Cool. Ak chcete funkciu ukončiť manuálne, môžete režim Super-Cool vypnúť stlačením voliča chladničky na 3 sekundy.



Poznámka

- Keď je zapnutá funkcia Super-Cool, nie je možné súčasne zvoliť režim Fuzzy a Holiday. Ak je zvolený režim Fuzzy alebo režim Holiday, kontrolka Super-Cool je zhasnutá a Super-Cool sa automaticky zatvorí.
- Pokiaľ funkcia Super-Cool ostala v prevádzke dlhšie než 6 hodín, automaticky sa vypne.

5.8 Režim Super-Freeze

1. Keď je ovládací panel odomknutý, stlačte volič Super-Freeze, čím zaznie bzučiak a rozsvieti sa kontrolka Super-Freeze. Spustí sa režim Super-Freeze.
2. Keď svieti kontrolka Super-Freeze, stlačte volič Super-Freeze, zaznie bzučiak, indikátor Super-Freeze je vypnutý režim Super-Freeze sa zatvorí.
3. Po zapnutí režimu Super-Freeze sa chladnička po dosiahnutí nastaveného stavu pre super-Freeze automaticky prepne do stavu vypnutia režimu super-Freeze. Ak chcete funkciu ukončiť manuálne, môžete režim Super-Freeze vypnúť stlačením voliča Super-Freeze na 3 sekundy.



Poznámka

- Režim Super-Freeze je navrhnutý tak, aby udržiaval živiny potravín v mrazničke, pričom sa potraviny zmrazia v čo najkratšom čase. Ak sa má naraz zmraziť veľké množstvo potravín, odporúča sa pred vložением potravín nastaviť režim Super-Freeze 24 hodín vopred, aby sa dosiahla nižšia teplota v mrazničke. V tomto stave sa rýchlosť zmrazovania v mrazničke zvyšuje a potraviny sa môžu zmraziť rýchlo, čím sa účinne zablokujú výživné hodnoty a uľahčí sa skladovanie.
Ak chcete v stave Super Freeze zvoliť inteligentnú funkciu, kontrolka Super Freeze zhasne a režim Super-Freeze sa automaticky zatvorí.
- Funkcia Super-Freeze sa automaticky vypne po 50 hodinách.
Spotrebič potom pracuje pri predtým nastavenej teplote.

5.9 Alarm otvorených dverí

Keď je doba otvárania dverí príliš dlhá alebo dvere nie sú zatvorené, chladnička zakaždým vydá alarm odkvapkávania a potom vám pripomenie, aby ste včas zatvorili dvere.

5.10 Úspora energie na ovládacom paneli

Ak na ovládacom paneli 30 sekúnd neurobíte žiadny úkon, panel sa automaticky vypne a prepne sa do uzamknutého stavu, čo môže ušetriť energiu. Po stlačení funkčného tlačidla zámku alebo otvorení niektorých dverí sa rozsvieti ovládací panel.

5.11 Funkcia pamäte výpadku elektrického napájania

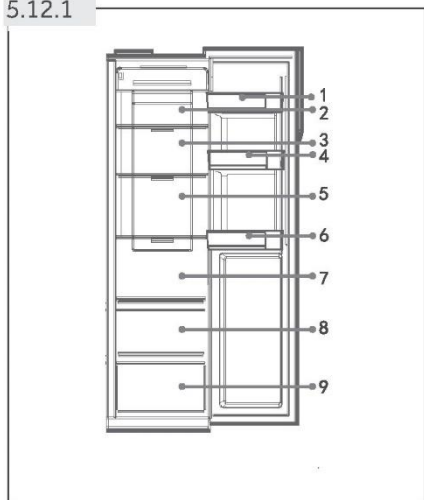
Keď je chladnička vypnutá, dočasné vypnutie prevádzky počas prerušenia napájania sa uloží do pamäti. Po opätovnom pripojení napájania chladnička obnoví prevádzku v závislosti od zmeny a funkčného stavu nastaveného pred výpadkom napájania.
Pozor: Funkcia zámku sa neuloží do pamäti. Po opätovnom zapnutí chladničky spustí ovládací panel automatickú kontrolu, kontrolka funkcie uzamknutia je vypnutá a chladnička je odomknutá.

5.12 Tipy na skladovanie čerstvých potravín

5.12.1 Uchovávanie v chladničke

- ▶ Teplotu v chladničke udržiajte pod 5 °C.
- ▶ Horúce jedlá musíte pred uložením do spotrebiča ochladiť na izbovú teplotu.
- ▶ Potraviny skladované v chladničke by ste mali pred uložením umyť a vysušiť
- ▶ Potraviny, ktoré sa majú skladovať, by mali byť riadne uzavreté, aby sa zabránilo prenosu zápachu alebo chuti.
- ▶ Neskladujte nadmerné množstvo potravín. Medzi potravinami nechajte voľný priestor, aby okolo nich mohol prúdiť studený vzduch, aby sa dosiahlo lepšie a rovnomernejšie ochladenie.
- ▶ Potraviny konzumované denne by sa mali skladovať v prednej časti police.
- ▶ Medzi potravinami a vnútornými stenami nechajte dostatočne veľký voľný priestor na prúdenie vzduchu. Predovšetkým nedovoľte, aby sa potraviny opierali o zadnú stenu: potraviny by mohli primrznúť ku zadnej stene. Zabráňte priamemu kontaktu potravín (predovšetkým masných alebo kyslých potravín) s vnútorným povrchom, pretože olej/kyselina môže narušiť vnútorný povrch. Očistite masné/kyslé nečistoty ihneď po ich objavení.
- ▶ Mrazené potraviny rozmrazte v chladničke. Takto môžete použiť mrazené potraviny na zníženie teploty v danom priestore a ušetriť energiu.
- ▶ Proces dozrievania ovocia a zeleniny, ako sú cukety, melóny, papája, banán, ananás atď., sa môže v chladničke urýchliť. Preto sa neodporúča uchovávať ich v chladničke. Zrenie veľmi nezrelých plodov však môže byť počas určitej doby prospešné. Cibulu, cesnak, zázvor a inú koreňovú zeleninu by ste tiež mali skladovať pri izbovej teplote.
- ▶ Neprijemný zápach vnútri chladničky je znakom toho, že sa niečo rozlialo a treba priestor vyčistiť. Pozrite STAROSTLIVOSŤ A ČISTENIE.
- ▶ Rôzne potraviny je potrebné umiestniť do rôznych oblastí podľa ich vlastností (obr. 5.12.1):

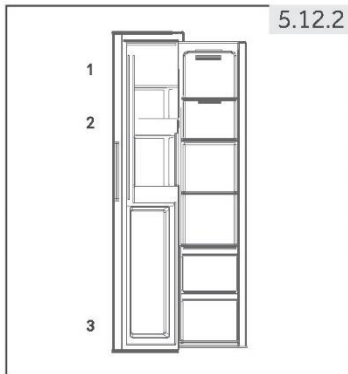
5.12.1



- 1 Maslo, syr, atď.
- 2 Potraviny v zaváracích pohároch, konzervované potraviny atď.
- 3 Potraviny v zaváracích pohároch, konzervované potraviny atď.
- 4 Plechovky, konzervy, koreniny atď.
- 5 Mäsové výrobky, lahôdky, malé občerstvenia atď.
- 6 Nápoje a potraviny vo fľašiach.
- 7 Cestoviny, konzervované potraviny, mlieko, tofu, mliečne výrobky atď.
- 8 Ovocie, zelenina, šalát, atď.
- 9 Varené mäso, klobásy atď.

5.12.2 Skladovanie v mraziacom priestore

- ▶ Teplotu v mrazničke udržiajte na $-18\text{ }^{\circ}\text{C}$
- ▶ 24 hodín pred zmrazením zapnite funkciu Super-Freeze; - pre malé množstvá potravín stačí 4 – 6 hodín.
- ▶ Horúce jedlá musíte pred uložením do mraziaceho boxu ochladiť na izbovú teplotu.
- ▶ Potraviny nakrájané na malé porcie sa zmrazia rýchlejšie a ľahšie sa rozmrazia a uvaria. Odporúčaná hmotnosť pre každú porciu je menej ako 2,5 kg
- ▶ Pred vloženíom do mrazničky je lepšie potraviny zabaliť. Vonkajšia strana obalu musí byť suchá, aby sa zabránilo zlepeniu vreciek. Obalové materiály by mali byť bez zápachu, vzduchotesné, nejedovaté a netoxické.
- ▶ Aby sa predišlo uplynutiu doby skladovania, všimnite si dátum zmrazenia, trvanlivosť a názov potraviny na obale a podľa toho skladujte rôzne potraviny.
- ▶ **VAROVANIE!:** Kyselina, zásady a sol' atď. by mohli narušiť vnútorný povrch mrazničky. Neumiestňujte potraviny s týmito látkami (napr. morské ryby) priamo na vnútorný povrch. Slanú vodu je treba z mrazničky okamžite utrieť.
- ▶ Neprekračujte dobu skladovania potravín odporúčanú výrobcami. Z mrazničky vyberte len požadované množstvo potravín.
- ▶ Rôzne potraviny je potrebné umiestniť do rôznych oblastí podľa ich vlastností (obr. 5.12.2):



- 1 Menej zaťažujúce predmety, ako je zmrzlina, zelenina, chlieb atď.
- 2 Nápoj bez vysokého obsahu alkoholu a dočasné uskladnenie liehovín s vysokým obsahom alkoholu, malých kusov, ako je pizza alebo bylinky.
- 3 Veľké/ťažšie porcie jedla, ako sú kusy mäsa na pečenie



Poznámka: Uskladnenie

- ▶ Udržujte vzdialenosť viac ako 10 mm medzi uloženými potravinami a snímačom, aby sa zabezpečil chladiaci účinok.
- ▶ Keď spotrebič pracuje, ponechajte najnižšiu zásuvku, aby ste zabezpečili chladiaci účinok.
- ▶ Potraviny s ľadom (napríklad zmrzlina atď.) by sa mali skladovať vnútri mraziaceho priestoru, nie na držiaku na fľaše, pretože zmeny teploty na držiaku fľaše spôsobené otváraním a zatváraním dverí môžu potraviny rozmraziť.
- ▶ Rozmrazené potraviny rýchlo skonzumujte. Aby jedli ostali jedlé, rozmrazené potraviny sa nesmú opäť zmraziť, pokiaľ ich najprv neuvaríte.
- ▶ Do mraziaceho priestoru nekladajte nadmerné množstvo čerstvých potravín. Pozrite si mraziacu kapacitu mrazničky - pozrite si TECHNICKÉ ÚDAJE alebo údaje na typovom štítku.
- ▶ Potraviny je možné skladovať v mrazničke pri teplote najmenej -18 °C 2 až 12 mesiacov, v závislosti od ich vlastností (napr. mäso: 3 – 12 mesiacov, zelenina: 6 – 12 mesiacov)
- ▶ Pri mrazení čerstvých potravín sa vyhýbajte ich kontaktu s už zmrazenými potravinami. Riziko rozmrazenia!
- ▶ Mrazené potraviny rozmrazujte v chladničke. Takto môžete použiť mrazené potraviny na zníženie teploty v priehradke a usporiť energiu.

5.12.3 Pri skladovaní komerčne mrazených potravín dodržiavajte tieto pokyny:

- ▶ Vždy dodržiavajte pokyny výrobcov o dobe skladovania potravín. Usmernenia neporušujte!
- ▶ Snažte sa čas medzi nákupom a uložením potravín čo najviac skrátiť, aby ste zachovali kvalitu potravín.
- ▶ Kupujte mrazené potraviny, ktoré boli skladované pri teplote -18 °C alebo nižšej.
- ▶ Vyhňte sa nákupu potravín, ktoré majú na obale ľad alebo námrazu – to znamená, že výrobky mohli byť čiastočne rozmrazené a opätovne zmrazené pri určitom náraste teploty, čo mohlo znížiť ich kvalitu.

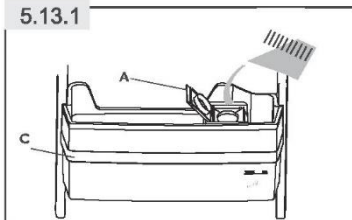
5.13 Dávkovač vody (HSR3918EW*/HSRS918DW*)

Pomocou dávkovača vody je možné načerpať studenú pitnú vodu.

Nádrž na vodu sa musí pred prvým použitím vyčistiť (pozri STAROSTLIVOSŤ A ČISTENIE).

5.13.1 Plnenie nádrže na vodu**VAROVANIE!**

Používajte len pitnú vodu.



5.13.1

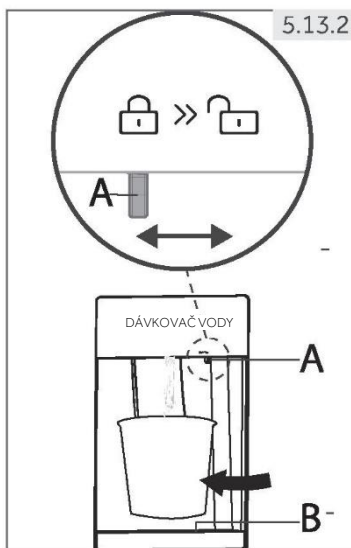
1. Skontrolujte, či je nádrž na vodu správne vsunutá (pozri VYBAVENIE)
2. Otvorte uzáver (A) a nalejte čerstvú pitnú vodu do nádrže na vodu (obr. 5.13.1).
3. Naplňte vodu len po značku (2,5 l), pretože by mohla pretekať, keď sa dvere otvoria a zatvoria.
4. Úplne zatvorte uzáver (A).

**Poznámka: Dávkovač vody**

- Pred opätovným naplnením zvyšnú vodu vylejte a vyčistite nádrž na vodu.
- Ak vodu nebudete dlhšie potrebovať, vyprázdnite nádrž na vodu a vyčistenú nádrž vsuňte späť.
- Kryt (C) na nádrži na vodu (obr. 5.13.1) sa okrem toho používa na úsporu energie. Ak nechcete čerpať vodu z dávkovača vody počas dlhšej doby, vždy nainštalujte kryt kvôli lepšej izolácii a úspore energie.

5.13.2 Získavanie vody z dávkovača

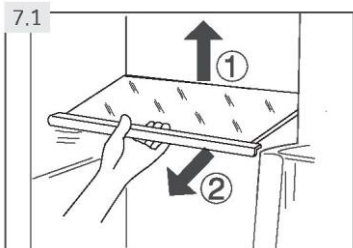
1. Uistite sa, že zámok (A) je presunutý  do polohy „Unlock“ (Odomknúť) (obr. 5.13.2).
2. Pod výstup vody podložte pohár.
3. Pohárom opatrne zatlačte oproti páčke dávkovača vody.
Uistite sa, že je pohár zarovnaný s dávkovačom, aby sa zabránilo striekaniu vody.
4. Voda v zásobníku (B) by sa mala včas odstrániť, pretože by mohla pri otvorení a zatvorení dverí pretekať.
5. Posuňte zámku (A) do polohy  „Lock“ (Zámka)





Tipy na úsporu energie

- ▶ Uistite sa, že je spotrebič správne vetraný (pozrite časť INŠTALÁCIA).
- ▶ Spotrebič neinštalujte na priame slnečné svetlo ani do blízkosti zdrojov tepla (napr. kachle, ohrievače).
- ▶ Zabráňte zbytočne nízkej teplote v spotrebiči. Čím je nižšia nastavená teplota v spotrebiči, tým vyššia bude spotreba energie.
- ▶ Funkcie ako Super-Cool alebo Super-Freeze spotrebujú viac energie.
- ▶ Pred vloženíím do spotrebiča nechajte teplé jedlo vychladnúť.
- ▶ Dvere spotrebiča otvárajte čo najmenej a na čo najkratšie.
- ▶ Spotrebič nepreplňujte, aby ste nebránili prúdeniu vzduchu.
- ▶ Vyhýbajte sa vzduchu v obale potravín.
- ▶ Tesnenia dverí udržiavajte čisté, aby boli dvere vždy správne zatvorené.
- ▶ Mrazené potraviny rozmrazte v chladničke.
- ▶ Konfigurácia s najväčšou úsporou energie si vyžaduje, aby sa zásuvky, nádoby na potraviny a police udržiavali v stave ako v novom spotrebiči, pričom potraviny treba ukladať tak, aby nebránili prúdeniu vzduchu a neupchávali prívod vzduchu z potrubia.



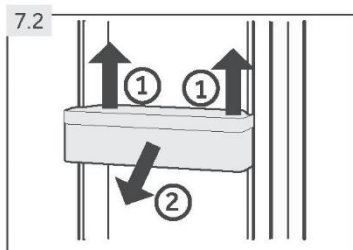
7.1 Nastavitelné police

Výška políc sa môže nastaviť tak, aby vyhovovala vašim potrebám skladovania.

1. Ak chcete policu premiestniť, najprv nadvíhnete jej zadný okraj (1) a potom ju vytiahnete (2) (obr. 7.1).
2. Ak ju chcete znovu nainštalovať, položte ju na výstupky na oboch stranách a zatlačte do najzadnejšej polohy, kým nezapadne do drážok na bokoch

i Poznámka: Police

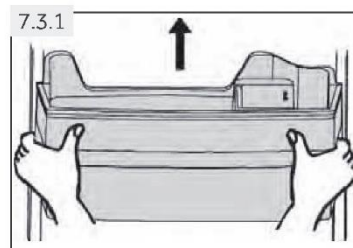
Uistite sa, že všetky konce police sú v jednej rovine.



7.2 Vyberateľné stojany na dverách/držiak na fľaše

Stojany na dverka/držiak na fľaše je možné vybrať na čistenie:

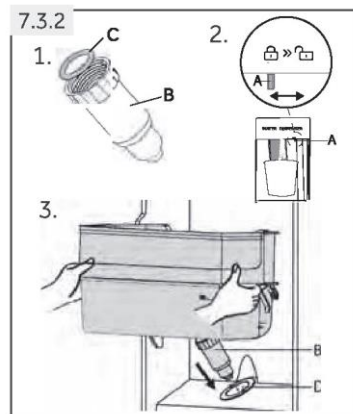
1. Položte ruky na každú stranu stojana/držiaka a zdvihnite ho nahor (1) (obr. 7.2).
2. Vytiahnite držiak dverí/držiak fľaše (2).
3. Ak chcete vložiť poličku/držiak fľaše späť do dverí, vykonajte vyššie uvedené kroky v opačnom poradí.




7.3 Nádrž na vodu (HSR3918EW*/HSR5918DW*)

7.3.1 Odstráňte nádrž na vodu

Nádrž na vodu sa môže vybrať na čistenie a znovu nainštalovať rovnako ako poličky na dverách (obr. 7.3.1).



7.3.2 Vložte nádrž na vodu

1. Uistite sa, že výtok dávkovača (B) je pevne priskrutkovaný k nádržke na vodu a biely krúžok O (C) je na mieste (obr. 7.3.2-1).
2. Posuňte zámku (A) do polohy  „Lock“ (Zámka) (Obr. 7.3.2-2.)
3. Umiestnite nádrž na vodu do polohy, v ktorej sa výstup vody (B) vsunie do otvoru dverí (D) (obr. 7.3.2-3.).

i Poznámka: Nádrž na vodu

- Ak nádrž na vodu nie je správne vsunutá, z prípojky môže kvapkať voda.
- Pri demontáži alebo inštalácii nádrže na vodu nepoužívajte nadmernú silu, aby sa nádrž nepoškodila.

7.4 Držiak na fľašu – mraziaci priestor

Držiaky na fľaše mraziaceho priestoru sú určené na dočasné uskladnenie liehovín s vysokým obsahom alkoholu. Nápoj bez vysokého obsahu alkoholu treba chladit' v chladničke.

Okrem toho môžete uložit' malé položky do držiakov na fľaše.



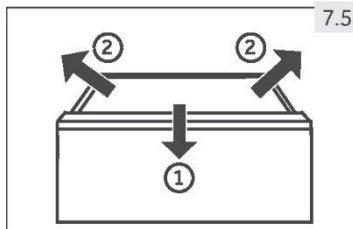
VAROVANIE!

Fľaše a plechovky môžu prasknúť! Nastavte časovač, ktorý vám pripomenie, aby ste odstránili fľaše/plechovky bez vysokého obsahu alkoholu.

7.5 Vyberateľná zásuvka

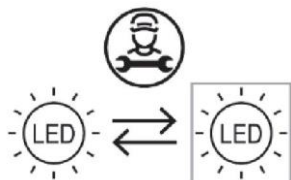
Ak chcete vybrať zásuvku chladničky alebo mrazničky, úplne ju vytiahnite (1), zdvihnite a vyberte ju (2) (obr. 7.5).

Ak chcete poličku znovu vsunúť, vykonajte vyššie uvedené kroky v opačnom poradí.



7.6 Osvetlenie

Interiérové LED osvetlenie sa rozsvieti po otvorení dverí. Výkon svetiel nie je ovplyvnený žiadnym iným nastavením spotrebiča.



Zdroj svetla (len LED) smie vymeniť iba odborník

Tento výrobok obsahuje svetelný zdroj triedy energetickej účinnosti G.

Priestor	Napätie	Maximálny výkon	Trieda energetickej účinnosti	Model
Chladnička	12 V	1,5 W	G	HSR3918EN* HSR3918EW* HSR3918FN* HSR5918DN* HSR5918DW*
Mrazička	12 V	1,5 W	G	HSR5918DW* *=PW, PB, PL, PG, PN, MP, MB



VAROVANIE!

Spotrebič pred čistením odpojte od elektrickej siete.

8.1 Čistenie

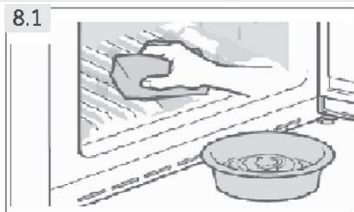
Spotrebič čistite, keď je v ňom uskladnené len malé množstvo alebo žiadne potraviny. Spotrebič by ste mali čistiť každé štyri týždne, aby sa zaistila dobrá starostlivosť a zabránilo pachu z nesprávne uskladnených potravín.



VAROVANIE!

- ▶ Spotrebič nečistite tvrdými kefami, drôtenými kefami, čistiacim práškom, benzínom, amylacetátom, acetónom ani podobnými organickými roztokmi, kyselinami ani zásadami. Čistite pomocou špeciálneho čistiaceho prostriedku na chladničky, aby ste zabránili poškodeniu.
- ▶ Počas čistenia na spotrebič nestriekajte ani ho neoplachujte.
- ▶ Na čistenie spotrebiča nepoužívajte prúd vody ani paru.
- ▶ Studené sklenené poličky neumývajte horúcou vodou. Náhla zmena teploty môže spôsobiť rozbitie skla.
- ▶ Nedotýkajte sa vnútorného povrchu priestoru mrazničky, najmä nie mokrymi rukami, pretože by vám mohli k povrchu primrznúť.
- ▶ Ak dôjde k zahriatiu, skontrolujte stav zmrazených potravín.

8.1



- ▶ Tesnenie na dverách musí byť vždy čisté.
- ▶ Vnútro a plášť spotrebiča čistite špongiou navlhčenou v teplej vode s prídavkom neutrálneho saponátu (obr. 8.1).

1. Mäkkou handričkou alebo špongiou namočenou v teplej vode utrite interiér a exteriér chladničky, vrátane tesnenia dverí, dverovej poličky, sklenených políc, boxov atď. (do teplej vody môžete pridať neutrálny čistiaci prostriedok).
 2. Ak sa rozleje nejaká kvapalina, odstráňte všetky znečistené časti, opláchnite ich prúdom vody, vysušte a vložte späť do chladničky.
 3. Ak dôjde k rozliatiu krému (napríklad smotana, roztopená zmrzlina), odstráňte všetky znečistené časti, vložte ich na nejaký čas do teplej vody s teplotou približne 40 °C, potom ich opláchnite prúdom vody, vysušte a vložte späť do chladničky.
 4. V prípade, že sa v chladničke (medzi policami alebo zásuvkami) zasekne nejaká malá časť alebo komponent, použite na uvoľnenie mäkkú kefku. Ak sa k tejto časti nedostanete, kontaktujte servis Haier.
- ▶ Opláchnite a osušte mäkkou handričkou.
 - ▶ Žiadne časti spotrebiča nečistite v umývačke riadu.
 - ▶ Pred opätovným zapnutím spotrebiča počkajte najmenej 5 minút, pretože časté spúšťanie môže poškodiť kompresor.

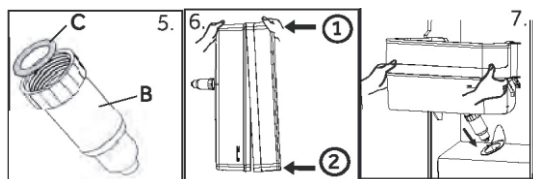
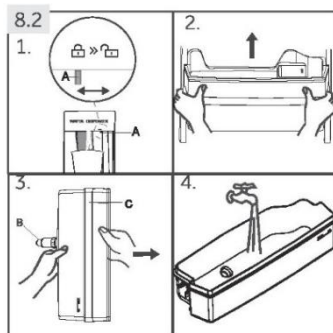
Odmrazovanie

Odmrazovanie chladničky a mrazničky sa vykonáva automaticky: nie je potrebná žiadna manuálna činnosť.

8.2 Čistenie nádrže na vodu (obr. 8.2) (HSR3918EW*/HSR5918DW*)

1. Posuňte zámku (A) do polohy  „Lock“ (Zámka).

2. Vyberte nádrž na vodu zo spotrebiča.
3. Odstráňte kryt (C) a opatrne odskrutkujte výtok dávkovača (B).
4. Vyčistite nádržku na vodu a výtok dávkovača teplou tečúcou vodou a umývacím prostriedkom na umývanie riadu. Uistite sa, že je opláchnutý všetok saponát.
5. Namontujte výtok dávkovača (B) a dbajte na to, aby bol pevne priskrutkovaný k nádrži na vodu a biely krúžok O (C) bol na svojom mieste.
6. Stlačte kryt, aby ste ho skombinovali s jednou stranou nádrže na vodu a potom s druhou stranou, skontrolujte, či je nádrž na vodu a kryt úplne namontovaný.
7. Vymeňte nádrž vnútri spotrebiča. Uistite sa, že výtok dávkovača je správne vsunutý do otvoru dverí.



8.3 Výmena LED žiaroviek



VAROVANIE!

LED žiarovku nevymieňajte sami, musí ju vymeniť iba výrobca alebo autorizovaný servisný pracovník.

Osvetlenie využíva ako zdroj svetla LED, ktoré sa vyznačujú nízkou spotrebou energie a dlhou životnosťou. Ak sa vyskytnú nejaké abnormality, kontaktujte zákaznický servis. Pozrite časť ZÁKAZNÍCKY SERVIS.

Parametre žiarovky: 12 V, max. 3 W.

8.4 Dlhodobé vyradenie z prevádzky

Ak nebudete spotrebič dlhšiu dobu používať a pre chladničku nepoužijete funkciu Holiday:

- ▶ Vyberte potraviny.
- ▶ Vyprázdňte a vyčistite nádrž na vodu.
- ▶ Odpojte napájací kábel.
- ▶ Spotrebič vyčistite podľa vyššie uvedeného návodu.
- ▶ Dvere nechajte otvorené, aby sa vo vnútri nevytvárali nepríjemné pachy.



Poznámka: Vypnutie

Spotrebič vypnite, len ak je to nevyhnutne potrebné.

8.5 Premiestňovanie spotrebiča

1. Vyberte všetky potraviny a odpojte spotrebič od elektrickej siete.
2. Police a ďalšie vyberateľné diely chladničky a mrazničky zaistite lepiacou páskou.
3. Spotrebič nenakláňajte o viac než 45°, aby ste predišli poškodeniu chladiaceho systému.



VAROVANIE!

- ▶ Spotrebič nezdvíhajte za rukoväti dverí.
- ▶ Spotrebič nikdy neukladajte na podlahu v horizontálnej polohe.

Mnoho vyskytujúcich sa problémov môžete vyriešiť sami bez osobitných odborných znalostí. V prípade problému skontrolujte všetky zobrazené možnosti a pred kontaktovaním popredajného servisu postupujte podľa nasledujúcich pokynov. Pozrite časť **ZÁKAZNÍCKY SERVIS**.



VAROVANIE!

- ▶ Pred údržbou spotrebič vypnite a vyťahnite zástrčku zo zásuvky.
- ▶ Údržbu elektrického zariadenia môže vykonávať iba kvalifikovaný elektrikár, pretože neodborné opravy môžu spôsobiť značné následné škody.
- ▶ Poškodený prívod môže v záujme eliminácie akéhokoľvek rizika vymeniť len výrobca, jeho servisný zástupca alebo rovnako kvalifikovaná osoba.

9.1 Tabuľka na riešenie problémov

Problém	Možná príčina	Možné riešenie
Kompresor nefunguje.	<ul style="list-style-type: none"> • Zástrčka nie je vsunutá do zásuvky. • Spotrebič je v cykle odmrazovania. 	<ul style="list-style-type: none"> • Vsuňte zástrčku do zásuvky elektrickej siete. • To je normálne pri automatickom odmrazovaní.
Spotrebič sa zapína často alebo ostáva zapnutý príliš dlho.	<ul style="list-style-type: none"> • Príliš vysoká vnútorná alebo vonkajšia teplota. • Spotrebič bol dlhšie vypnutý. • Dvere spotrebiča nie sú tesne zatvorené. • Dvere boli otvorené príliš často alebo príliš dlho. • Nastavenie teploty mraziacej časti je príliš nízke. • Tesnenie dverí je špinavé, opotrebované, popraskané alebo nevhodné. • Nie je zabezpečené požadované prúdenie vzduchu. 	<ul style="list-style-type: none"> • V takom prípade je normálne, že spotrebič beží dlhšie. • Zvyčajne trvá 8 až 12 hodín, kým spotrebič úplne ochladne. • Zatvorte dvere a uistite sa, že je spotrebič umiestnený na rovnom povrchu a že sa v ňom nenachádzajú potraviny alebo nádoba, ktoré by blokovali dvere. • Neotvárajte dvere príliš často. • Nastavujte vyššiu teplotu, kým nedosiahnete uspokojivú teplotu chladničky. Trvá 24 hodín, kým sa teplota v chladničke ustáli. • Vyčistite tesnenie dverí alebo ho dajte vymeniť v zákazníckom servise. • Zaisťte dostatočnú ventiláciu.
Vnútro chladničky je špinavé a/ alebo páchne.	<ul style="list-style-type: none"> • Vnútro chladničky je potrebné vyčistiť. • V chladničke sú uložené potraviny so silnou arómou. 	<ul style="list-style-type: none"> • Vyčistite vnútro chladničky. • Potraviny dôkladne zabaľte.
V spotrebiči nie je dostatočne nízka teplota.	<ul style="list-style-type: none"> • Nastavená teplota je príliš vysoká. • Do spotrebiča ste vložili príliš teplé potraviny a jedlá. • Vložili ste príliš veľa potravín naraz. • Potraviny sú príliš blízko seba. 	<ul style="list-style-type: none"> • Resetujte teplotu. • Pred uložením potraviny a jedlá vždy ochladte. • Vždy vkladajte malé množstvo potravín. • Medzi potravinami nechávajte medzeru, aby mohol vzduch voľne prúdiť.

Problém	Možná príčina	Možné riešenie
	<ul style="list-style-type: none"> Dvere spotrebiča nie sú tesne zatvorené. Dvere boli otvorené príliš často alebo príliš dlho. 	<ul style="list-style-type: none"> Zatvorte dvere. Neotvárajte dvere príliš často.
V spotrebiči je príliš nízka teplota.	<ul style="list-style-type: none"> Nastavená teplota je príliš nízka. Funkcia Super-Cool/Super-Freeze je aktivovaná alebo je aktívna príliš dlho. 	<ul style="list-style-type: none"> Resetujte teplotu. Vypnite funkciu Super-Cool/Super-Freeze.
Kondenzácia vlhkosti na vnútornej strane chladničky.	<ul style="list-style-type: none"> Ovzdušie je príliš teplé a príliš vlhké. Dvere spotrebiča nie sú tesne zatvorené. Dvere boli otvorené príliš často alebo príliš dlho. Otvorené nádoby na potraviny alebo kvapaliny. 	<ul style="list-style-type: none"> Zvýšte teplotu. Zatvorte dvere. Neotvárajte dvere príliš často. Horúce jedlá nechajte vychladnúť na izbovú teplotu a jedlá a kvapaliny zakryte.
Vlhkosť sa hromadí na chladničkách na vonkajšom povrchu alebo medzi dverami.	<ul style="list-style-type: none"> Ovzdušie je príliš teplé a príliš vlhké. Dvere nie sú tesne zatvorené. Dochádza ku kondenzácii chladného vzduchu v spotrebiči a teplého vzduchu mimo neho. 	<ul style="list-style-type: none"> Vo vlhkom podnebí je to normálne a zmení sa to po poklese vlhkosti. Dbajte na to, aby boli dvere tesne zatvorené.
V mrazničke je silná vrstva ľadu a námrazy.	<ul style="list-style-type: none"> Potraviny neboli správne zabalené. Netesne zatvorené dvere/zásuvka spotrebiča. Dvere boli otvorené príliš často alebo príliš dlho. Tesnenie dveri je špinavé, opotrebované, popraskané alebo nevhodné. Niečo na vnútornej strane bráni správne zatvoreniu dveriek. 	<ul style="list-style-type: none"> Potraviny vždy správne zabalte. Zatvorte dvere/zásuvku. Neotvárajte dvere príliš často. Vyčistite tesnenie dverí alebo ho vymeňte za nové. Premiestnite police, dverové poličky alebo vnútorné zásobníky tak, aby sa dali dvere zatvoriť.
Spotrebič vydáva neobvyklé zvuky.	<ul style="list-style-type: none"> Spotrebič nie je umiestnený na rovnom povrchu. Spotrebič sa dotýka nejakého predmetu v jeho okolí. 	<ul style="list-style-type: none"> Nastavte nožičky a vyrovnajte spotrebič do vodorovnej polohy. Odstráňte predmety v okolí spotrebiča.
Je počuť tichý zvuk podobný tečúcej vode.	<ul style="list-style-type: none"> Je to normálne. 	<ul style="list-style-type: none"> -
Budete počuť pipnutie alarmu.	<ul style="list-style-type: none"> Dvere sú otvorené. 	<ul style="list-style-type: none"> Zatvorte dvere.
Budete počuť slabé hučanie.	<ul style="list-style-type: none"> Funguje systém proti kondenzácii. 	<ul style="list-style-type: none"> To zabraňuje kondenzácii a je to normálne.

Problém	Možná príčina	Možné riešenie
Nefunguje osvetlenie interiéru alebo chladiaci systém.	<ul style="list-style-type: none"> • Zástrčka nie je vsunutá do zásuvky. • Porucha zdroja napájania. • LED žiarovka nie je v poriadku. 	<ul style="list-style-type: none"> • Vsuňte zástrčku do zásuvky elektrickej siete. • Skontrolujte elektrické napájanie v miestnosti. Kontaktujte miestnu elektrárenskú spoločnosť! • Kontaktujte servis kvôli výmene žiarovky.
Boky skrinky a lišty dverí sa zahrievajú.	<ul style="list-style-type: none"> • Je to normálne. 	<ul style="list-style-type: none"> • -
Z výtoku dávkovača vody nevyteká žiadna voda	<ul style="list-style-type: none"> • Zámka nie je vypnutá. 	<ul style="list-style-type: none"> • Vypnite zámku.

9.2 Prerušenie elektrického napájania

V prípade výpadku elektrického prúdu by mali potraviny zostať bezpečne vychladené približne 5 hodín. V prípade dlhšieho výpadku elektrického napájania, najmä v lete, postupujte podľa nasledujúcich pokynov:

- ▶ Dvere/zásuvku otvárajte čo najmenej.
- ▶ Počas prerušenia napájania nekladajte do spotrebiča ďalšie potraviny.
- ▶ Ak je výpadok prúdu oznámený vopred a predpokladaná doba výpadku presahuje 5 hodín, vyrobte ľad a vložte ho do zásobníka v hornej časti chladničky.
- ▶ Ihneď po prerušení musíte potraviny skontrolovať.
- ▶ V dôsledku zvýšenia teploty v chladničke počas výpadku elektrického prúdu alebo inej poruchy dôjde k skráteniu doby uloženia potravín, okrem toho sa zníži ich kvalita. Potraviny, ktoré sa rozmrazili, by ste mali buď rýchlo skonzumovať alebo uvariť a znovu zmraziť (ak je to vhodné), aby sa predišlo zdravotným rizikám.



Poznámka: Funkcia pamäte pri prerušení napájania

Po obnovení napájania spotrebič pokračuje v nastaveniach, ktoré boli nastavené pred výpadkom prúdu.

10.1 Vybalenie



VAROVANIE!

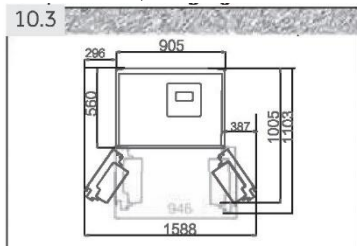
- ▶ Spotrebič je ťažký. Musia s ním vždy manipulovať dve osoby.
- ▶ Všetky obalové materiály udržiajte mimo dosahu detí a zlikvidujte ich spôsobom, ktorý je šetrný k životnému prostrediu.
- ▶ Vyberte spotrebič z obalu.
- ▶ Odstráňte všetky obalové materiály vrátane priehľadnej ochrannej fólie.

10.2 Podmienky prostredia

Teplota v miestnosti musí byť vždy medzi 16 °C až 43 °C, pretože môže mať vplyv na teplotu vnútri spotrebiča a na jeho spotrebu energie. Spotrebič neinštalujte v blízkosti iných spotrebičov vyžarujúcich teplo (rúry, chladničky) bez izolácie.

- Rozšírené mierne podnebie (SN): tento chladiaci spotrebič je určený na použitie pri teplotách okolia od 10 °C do 32 °C;
- Mierne pásmo (N): tento chladiaci spotrebič je určený na použitie pri teplotách okolia od 16 °C do 32 °C;
- Subtropické pásmo (ST): tento chladiaci spotrebič je určený na použitie pri teplotách okolia od 16 °C do 38 °C;
- Tropické pásmo (T): tento chladiaci spotrebič je určený na použitie pri teplotách okolia od 16 °C do 43 °C;

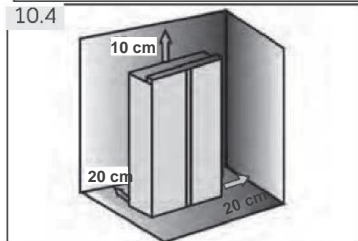
10.3



10.3 Požiadavky na priestor

Požadovaný priestor pri otvorení dverí (obr. 10.3): Šírka spotrebiča: 1588 mm
Hĺbka spotrebiča: 1103mm

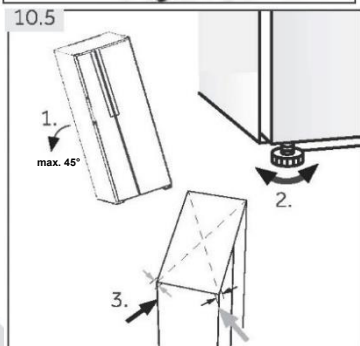
10.4



10.4 Požiadavky na ventiláciu

Na dosiahnutie dostatočnej ventilácie spotrebiča je z bezpečnostných dôvodov potrebné dodržiavať požiadavky pre správne vetranie (obr. 10.4).

10.5



10.5 Zarovnanie spotrebiča

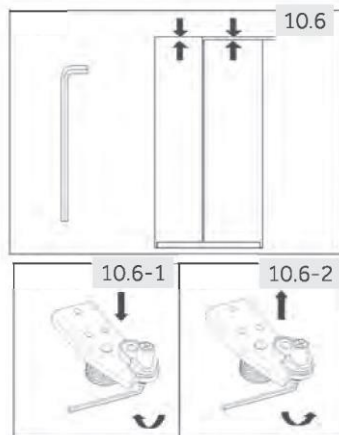
Zariadenie musí byť umiestnené na rovnom a pevnom povrchu.

1. Spotrebič nakloňte mierne dozadu (obr. 10.5).
2. Nastavte nožičky na požadovanú úroveň. Uistite sa, že vzdialenosť od steny na stranách závesu je aspoň 5 cm.
3. Stabilitu môžete skontrolovať striedavým potlačením v smere uhlopriečky. Spotrebič sa môže mierne vykloniť v oboch smeroch. V opačnom prípade môže dôjsť k zdeformovaniu rámu, výsledkom čoho môže byť aj nedostatočné tesnenie dverí. Mierne naklonenia dozadu uľahčujú zatváranie dverí.

10.6 Jemné doladenie dverí

Ak po vyrovnaní dverí nožičkami nie sú dvere stále v jednej úrovni, tento nesúlad je možné odstrániť pomocou kľúča otočením zdvíhacieho hriadeľa závesu v pravom dolnom rohu chladniacich dverí (obr. 10.6).

- ▶ Otáčaním zdvíhacieho hriadeľa pomocou kľúča v smere hodinových ručičiek sa dosiahne nižšia výška dverí (obr. 10.6-1).
- ▶ Otáčaním zdvíhacieho hriadeľa pomocou kľúča proti smeru hodinových ručičiek sa dosiahne nižšia výška dverí (obr. 10.6-2).

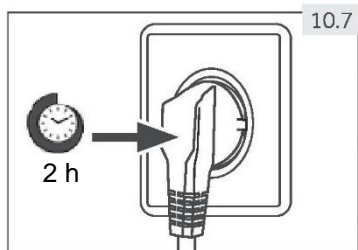


VAROVANIE!

Zdvíhací hriadeľ závesu neupravujte do vysokej výšky, ktorá by mohla spôsobiť opustenie pôvodnej uzamknutej polohy hriadeľa. (Nastaviteľný rozsah výšky: 3 mm)

10.7 Doba čakania

V puzdre kompresora sa nachádza bezúdržbový mazací olej. Pri nakláňaní spotrebiča počas prevozu sa tento olej môže dostať cez uzatvorený systém rúrok. Pred pripojením spotrebiča ku zdroju napájania musíte počkať aspoň 2 hodiny (obr.10.7), aby olej stiekol späť do puzdra.



10.8 Elektrické zapojenie

Pred každým pripojením skontrolujte, či:

- ▶ napájanie, zásuvka a istenie zodpovedajú typovému štítku.
- ▶ je sieťová zásuvka uzemnená a nie je pripojený žiadny adaptér s viacerými zásuvkami ani predĺžovací kábel.
- ▶ sa zástrčka a zásuvka presne zhodujú.

Zástrčku pripojte k správne nainštalovanej domácej zásuvke.



VAROVANIE!

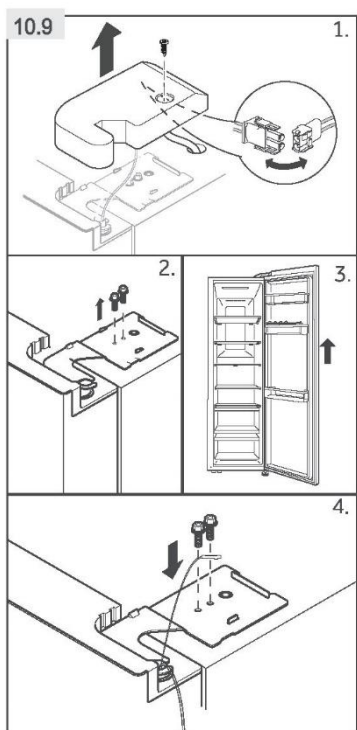
Poškodený napájací kábel musia vymeniť v zákazníckom servise, aby sa zabránilo nebezpečenstvu (pozrite záručný list).

10.9 Demontáž a inštalácia dverí a inštalčných pokynov nižšie (obr. 10.9). V prípade, že potrebujete demontovať dvierka spotrebiča, postupujte podľa pokynov na demontáž a inštaláciu dvierok uvedených nižšie (obr. 10.9).



VAROVANIE!

- ▶ Pred každým úkonom na spotrebiči ho vypnite a vyťahnite zástrčku zo zásuvky.
- ▶ Spotrebič je ťažký. Musia s ním vždy manipulovať dve osoby.
- ▶ Spotrebič nenakláňajte o viac než 45° ani ho nekladte vodorovne na podlahu.



1. Odskrutkujte skrutku krytu závesu a odstráňte kryt. Uvoľnite konektor kábla.
2. Odskrutkujte skrutky, ktoré držia horný záves v polohe, potom záves odstráňte.
3. Zdvihnite dvere chladničky, aby ste ich odstránili.
4. Opätovne namontujte dvere v opačnom poradí úkonov. Uistite sa, že uzemňovací kábel bude upevnený skrutkou.




Poznámka: Dvere chladničky

Na obrázkoch je znázornené odstránenie dverí chladiaceho priestoru. Pre dvere mrazničky použite príslušné diely na druhej strane



Poznámka: Pre samostatne stojaci spotrebič: tento chladiaci spotrebič nie je určený na použitie ako zabudovaný spotrebič.

11.1 Špecifikácie výrobku podľa nariadenia EÚ č. 2019/2016

Ochranná známka	Haier
Identifikátor modelu	HSR3918FN*/EN*/EW*/HSR5918DN*/DW*
Kategória modelu	Chladnička s mrazničkou
Trieda energetickej účinnosti	F/E/E/D/D
Ročná spotreba energie (kWh/rok) ¹⁾	399/317/317/258/256
objem chladiaceho priestoru (l)	337/337/330/337/330
objem mraziaceho priestoru (l)	191/191/191/191/191
Počet hviezdíčiek	
Teplota ďalších priestorov > 14 °C	Neuplatňuje sa
Systém bez námrazy Frost free	Áno
Čas nábehu teploty (h)	5/7/7/7/7
Kapacita zmrazovania (kg/24 h)	12/14/14/14/14
Klimatická trieda Tento spotrebič je určený na použitie pri teplote okolitého prostredia v rozsahu 10 °C až 38 °C.	SN-N-ST
Emisie akustického hluku prenášaného vzduchom (db(A) re 1pW)	C(38)
Typ konštrukcie	Voľne stojaci

na základe výsledkov štandardného testovania po dobu 24 hodín. Skutočná spotreba energie bude závisieť od používania a umiestnenia spotrebiča.

11.1.1 Dopĺňajúce technické údaje

Napätie/Frekvencia	220 – 240 V ~/50 Hz
Príkon (W)	200
Hlavná poistka (A)	15
Chladiace médium	R600a
Rozmery (V/Š/H v mm)	1775/908/647

11.2 Normy a smernice  

Tento výrobok spĺňa požiadavky všetkých príslušných smerníc ES s príslušnými harmonizovanými normami a normami v UK, ktoré umožňujú použitie označenia CE a UKCA.

Odporúčame vám náš zákaznícky servis Haier a použitie originálnych náhradných dielov. Ak máte problém so svojim spotrebičom, najskôr si pozrite časť RIEŠENIE PROBLÉMOV.

Ak tam nenájdete riešenie, kontaktujte

- ▶ svojho miestneho predajcu alebo
- ▶ Servis a podporu na www.haier.com, kde nájdete telefónne čísla a najčastejšie otázky a kde môžete aktivovať uplatnenie servisu.

Ak chcete kontaktovať náš servis, uistite sa, že máte k dispozícii nasledujúce údaje. Informácie nájdete na typovom štítku.

Model _____ Sériové č. _____

V prípade záruky skontrolujte aj záručný list dodaný s výrobkom.

DOSTUPNOSŤ NÁHRADNÝCH DIELOV

Termostaty, snímače teploty, dosky plošných spojov a svetelné zdroje sú k dispozícii minimálne sedem rokov po uvedení poslednej jednotky modelu na trh. Kľučky, závesy dverí, podnosy a koše minimálne na obdobie siedmich rokov a tesnenia dverí na minimálne 10 rokov po uvedení poslednej jednotky modelu na trh.

ZÁRUKA

Minimálna záruka je: 2 roky pre krajiny EÚ, 3 roky pre Turecko, 1 rok pre Spojené kráľovstvo, 1 rok pre Rusko, 3 roky pre Švédsko, 2 roky pre Srbsko, 5 rokov pre Nórsko, 1 rok pre Maroko, 6 mesiacov pre Alžírsko, Tunisko nevyžaduje žiadnu zákonnú záruku.

Ďalšie informácie o produkte nájdete na stránkach <https://eprel.ec.europa.eu/> alebo si oskenujte QR kód na štítku s údajmi o elektrickej spotrebe spotrebiča

Haier



0060524101F



كتيب المستخدم

الثلاجة-الفريزر

*HSR3918EN

*HSR3918EW

*HSR3918FN

*HSR5918DN

*HSR5918DW

PW,PB,PL,PG,PN,MP,MB=*

العربية

Haier

شكراً لك

شكراً لك على شراء منتج Haier.

اقرأ هذه التعليمات بعناية قبل استخدام هذا الجهاز. تحتوي التعليمات على معلومات مهمة ستساعدك على الحصول على أفضل النتائج من الجهاز وضمان التركيب والاستخدام والصيانة الآمنة والسليمة.
احتفظ بهذا الدليل في مكان مناسب حتى تتمكن دائماً من الرجوع إليه من أجل الاستخدام الآمن والسليم للجهاز.
إذا كنت تباع الجهاز، أو تتخلى عنه، أو تركه خلفك عندما تنتقل إلى المنزل الجديد، فتأكد أيضاً من تمرير هذا الدليل إلى المالك الجديد حتى يتمكن من التعرف على الجهاز وتحذيرات السلامة.

قائمة الرموز

تحذير - معلومات أمان مهمة

معلومات ونصائح عامة

المعلومات البيئية



التخلص من المنتج

ساعد في حماية البيئة وصحة الإنسان. ضع العبوة في حاويات مناسبة لإعادة تدويرها. ساعد على إعادة تدوير مخلفات الأجهزة الكهربائية والإلكترونية. لا تتخلص من الأجهزة التي تحمل هذا الرمز مع النفايات المنزلية. أعد المنتج إلى مرفق إعادة التدوير المحلي أو اتصل بمكتب البلدية.



خطر الإصابة أو الاختناق!

يجب التخلص من المبردات والغازات بطريقة احترافية. تأكد من عدم تلف أنابيب دائرة التبريد قبل التخلص منها بشكل صحيح. افصل الجهاز عن مصدر التيار الكهربائي. اقطع كابل التيار الكهربائي وتخلص منه. قم بإزالة الأدرج والصواني بالإضافة إلى ماسك الباب والحشيات لمنع الأطفال والحيوانات الأليفة من الانحباس داخل الجهاز.

الأجهزة القديمة لا تزال لها بعض القيمة المتبقية. تتضمن طريقة التخلص الصديقة للبيئة إمكانية استعادة المواد الخام القيمة واستخدامها مرة أخرى.

يستخدم السيكلوبنتان، وهو مادة قابلة للاشتعال وغير ضارة بالأوزون، كموسع لل رغوة العازلة.

من خلال التأكد من أن هذا المنتج يتم التخلص منه بصورة صحيحة، فأنت تساعد في الحد من حدوث العواقب السلبية المحتملة المؤثرة على البيئة وصحة الإنسان، والتي يمكن أن تنتج.

للحصول على مزيد من المعلومات حول إعادة تدوير هذا المنتج، يرجى الاتصال بمجلس المدينة المحلي أو خدمة التخلص من النفايات المنزلية أو المتجر الذي قمت بشراء هذا المنتج منه. يجب أن يقوم بمناولته المهنيون.

- 1- معلومات السلامة 4
- 2- الاستخدام المقصود 8
- 3- وصف المنتج 10
- 4- لوحة التحكّم 11
- 5- الاستخدام 12
- 6- نصائح لتوفير الطاقة 20
- 7- المعدات 21
- 8- العناية والتنظيف 23
- 9- استكشاف الأعطال وإصلاحها 25
- 10- التركيب 28
- 11- البيانات الفنية 31
- 12- خدمة العملاء 32

1 - معلومات السلامة

قبل تشغيل الجهاز لأول مرة، اقرأ إرشادات الأمان التالية!:



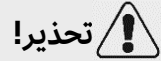
تحذير!

قبل الاستخدام الأول

- ◀ تأكد من خلوه من التلف أثناء النقل.
- ◀ قم بإزالة جميع العبوات واحفظها بعيدًا عن متناول الأطفال.
- ◀ انتظر ساعتين على الأقل قبل تركيب الجهاز للتأكد من أن دائرة التبريد فعالة تمامًا.
- ◀ تعامل مع الجهاز دائمًا بالاستعانة بشخصين على الأقل لأنه ثقيل.

التركيب

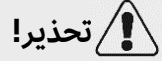
- ◀ يجب وضع الجهاز في مكان جيد التهوية. تأكد من وجود مساحة لا تقل عن 20 سم فوق و10 سم حول الجهاز.
- ◀ لا تضع الجهاز أبدًا في منطقة رطبة أو مكان قد يتناثر فيه الماء. نظف بقع الماء وجففها بقطعة قماش ناعمة ونظيفة.
- ◀ لا تقم بتركيب الجهاز في ضوء الشمس المباشر أو بالقرب من مصادر الحرارة (مثل المواقد والسخانات).
- ◀ قم بتثبيت الجهاز وتسويته في منطقة مناسبة لحجمه واستخدامه.
- ◀ احرص على عدم انسداد فتحات التهوية في الجهاز أو البنية المضمنة.
- ◀ تحقق من توافق البيانات الكهربائية الموجودة على لوحة القياس مع مصدر الطاقة. إذا لم يحدث ذلك، فاتصل بفني كهربائي.
- ◀ يتم تشغيل الجهاز بواسطة مصدر طاقة 220-240 فولت تيار متردد/50 هرتز. قد يؤدي التقلب غير الطبيعي في الجهد إلى فشل تشغيل الجهاز، أو تلف التحكم في درجة الحرارة أو الضاغط، أو قد تكون هناك ضوضاء غير طبيعية عند التشغيل. في مثل هذه الحالة، يجب تركيب منظم أوتوماتيكي.
- ◀ استخدم مقبسًا أرضيًا منفصلًا لمصدر الطاقة يسهل الوصول إليه. يجب تأريض الجهاز.
- ◀ **فقط للمملكة المتحدة:** كابل الطاقة الخاص بالجهاز مزود بقباس مكون من 3 أسلاك (تأريض) يناسب مقبسًا قياسيًا مكونًا من 3 أسلاك (مؤرض). لا تقم أبدًا بقطع أو فك الدبوس الثالث (التأريض). بعد تثبيت الجهاز، يجب أن يكون القياس متاحًا.
- ◀ لا تستخدم المحولات وكابلات التمديد متعددة القوابس.
- ◀ تأكد من أن كبل الطاقة غير محاصر بواسطة الجهاز. لا تخطو على كابل الطاقة.
- ◀ لا تقم بإتلاف دائرة التبريد الكهربائية.
- ◀ لا تضع مقابس محمولة أو مصادر محمولة متعددة للتيار خلف الجهاز.



الاستخدام اليومي

- ◀ يُمكن أن يستخدم هذا الجهاز الأطفال البالغ أعمارهم 8 سنوات أو أكثر والأشخاص الذين يعانون نقصًا في القدرات البدنية، أو الحسية، أو العقلية، أو الأشخاص الذين لديهم نقص في الخبرة أو المعرفة إذا خضعوا للإشراف أو قُدمت لهم تعليمات بشأن استخدام الجهاز بطريقة آمنة وكان لديهم فهم للمخاطر التي ينطوي عليها.
- ◀ يُسمح للأطفال الذين تتراوح أعمارهم بين 3 إلى 8 سنوات بتحميل وتفريغ أجهزة التبريد، ولكن لا يُسمح لهم بتنظيفها وتركيبها.
- ◀ أبق الأطفال دون سن 3 سنوات بعيدًا عن الجهاز ما لم يتم الإشراف عليهم باستمرار.
- ◀ يجب عدم قيام الأطفال بالتنظيف وأعمال صيانة المستخدم دون إشراف.
- ◀ يجب ألا يعيب الأطفال بالجهاز.
- ◀ يجب وضع الجهاز بحيث يسهل الوصول إلى القابس.
- ◀ إذا تسرب غاز بارد أو غاز آخر قابل للاشتعال بالقرب من الجهاز، فقم بغلق صمام الغاز المتسرب، وافتح الأبواب والنوافذ، ولا تقم بفصل قابس كابل الطاقة بالجهاز أو أي جهاز آخر.
- ◀ لاحظ أنه تم ضبط الجهاز للتشغيل في نطاق محيط معين بين 10 و38 درجة مئوية. قد لا يعمل الجهاز بشكل صحيح إذا تُرك لفترة طويلة عند درجة حرارة أعلى أو أقل من النطاق المحدد.
- ◀ لا تضع أشياء غير مستقرة (أشياء ثقيلة، أوعية مملوءة بالماء) على الجزء العلوي من الجهاز، لتجنب إصابة الأشخاص الناجمة عن السقوط أو الصدمة الكهربائية الناتجة عن ملامسة الماء.
- ◀ لا تسحب رفوف الباب للخارج. قد يتم سحب الباب بشكل مائل، وقد يخرج رف الزجاجات من مكانه، أو قد يسقط الجهاز.
- ◀ افتح الأبواب وأغلقها بالمقابض فقط. الفجوة بين الأبواب والحزنة ضيقة للغاية. لا تمد يديك في هذه المناطق لتجنب القرص على أصابعك. افتح أبواب الجهاز أو أغلقها عندما لا يكون هناك أطفال واقفين ضمن نطاق حركة الباب فقط.
- ◀ لا تقم بتخزين أو استخدام مواد قابلة للاشتعال أو متفجرة أو مسببة للتآكل في الجهاز أو في المنطقة المجاورة.
- ◀ لا تخزن الأدوية أو البكتيريا أو العوامل الكيميائية في الجهاز. هذا الجهاز مخصص للاستخدام المنزلي فقط. لا يوصى بتخزين المواد التي تتطلب درجات حرارة دقيقة.
- ◀ لا تقم أبدًا بتخزين السوائل في الزجاجات أو العلب (بالإضافة إلى المشروبات الروحية عالية التركيز) خاصة المشروبات الغازية في الفريزر، حيث أنها ستنفجر أثناء التجميد.

1 - معلومات السلامة




تحذير!

الاستخدام اليومي

- ◀ تحقق من حالة الطعام في حالة حدوث تدفئة في الفريزر.
- ◀ لا تعين درجة حرارة منخفضة بلا ضرورة في حجرة الثلجة. قد تحدث درجات حرارة دون الصفر في الإعدادات العالية. تنبيه: يمكن أن تنفجر الزجاجات.
- ◀ تجنب لمس السلع المجمدة إذا كانت يداك مبتلتين (قم بارتداء القفازات). لا تأكل المصاصات الثلجة فورًا بعد إزالتها من حجرة الفريزر. هناك خطر حدوث تجمد أو تكون بثور بسبب الثلج. الإسعافات الأولية: اترك مكان التعرض مباشرة تحت الماء البارد الجاري. لا تسحبه!
- ◀ لا تلمس السطح الداخلى لحجرة تخزين الفريزر أثناء التشغيل، خاصةً باستخدام اليدين المبتلتين، حيث قد تتجمد يديك، وتلتصق بالسطح.
- ◀ افصل الجهاز في حالة انقطاع التيار الكهربائي أو قبل التنظيف. انتظر 5 دقائق على الأقل قبل إعادة تشغيل الجهاز حيث أن التشغيل المتكرر قد يؤدي إلى تلف الضاغط.
- ◀ لا تستخدم أجهزة كهربائية داخل حجيرات تخزين الطعام بالجهاز، إلا إذا كانت من النوع الذي أوصى به المصنِّع.
- ◀ استخدم فقط مياه الشرب مع الطرز المزودة بموزع مياه.

الصيانة/التنظيف

- ◀ تأكد من أن الأطفال يخضعون للإشراف إذا قاموا بالتنظيف والصيانة.
- ◀ افصل الجهاز عن التيار الكهربائي قبل إجراء أى صيانة روتينية. انتظر 5 دقائق على الأقل قبل إعادة تشغيل الجهاز حيث أن التشغيل المتكرر قد يؤدي إلى تلف الضاغط.
- ◀ امسك القابس، وليس الكابل، عند فصل الجهاز.
- ◀ لا تكشط الجليد والثلج بأشياء حادة. لا تستخدم البخاخات أو أجهزة التسخين الكهربائية مثل سخان أو مجفف الشعر أو أجهزة التنظيف بالبخار أو مصادر الحرارة الأخرى لتجنب تلف الأجزاء البلاستيكية.
- ◀ لا تستخدم أجهزة ميكانيكية أو وسائل أخرى لتسريع عملية إذابة الثلج بخلاف تلك الموصى بها من جانب الشركة المصنعة.
- ◀ لا تقم بتنظيف الجهاز باستخدام الفرش الصلبة، والفرش السلكية، ومسحوق التنظيف، والبترين، وأميلات الأسيتات، والأسيتون والمحاليل العضوية المماثلة، أو المحاليل الحمضية أو القلوية. يرجى التنظيف باستخدام منظف الثلجة الخاص لتجنب حدوث ضرر.

تحذير! 

◀ في النهاية، استخدم الماء الدافئ ومحلول صودا الخبيز - حوالي ملعقة كبيرة من صودا الخبيز إلى لتر / كوارت من الماء. قم بالشفط بالكامل بالماء، ثم التجفيف جيدًا. لا تستخدم مساحيق تنظيف قوية أو مسببة للتآكل. تجنب القيام بغسل الأجزاء القابلة للفك في غسالة الأطباق

الصيانة/التنظيف

- ◀ في حال تلف كابل التغذية، يجب استبداله بواسطة الشركة المصنعة، أو وكيل الخدمة الخاص بها أو الأشخاص المؤهلين بالدرجة نفسها لتفادي التعرض للخطر.
- ◀ لا تحاول أن تصلح أو تفك أو تعدل الجهاز بنفسك. في حالة الحاجة للإصلاح يرجى الاتصال بالدعم الخاص بنا مباشرة.
- ◀ في حالة تلف مصباح الإضاءة، يجب استبداله من قبل الشركة المصنعة أو وكيل الصيانة التابع لها أو غيره من الأشخاص المؤهلين لتفادي التعرض للخطر.
- ◀ تخلص من الغبار الموجود بالجزء الخلفي من الوحدة مرة واحدة على الأقل في السنة لتجنب خطر نشوب الحريق وزيادة استهلاك الطاقة أيضًا.
- ◀ لا تقم برش الجهاز أو غسله أثناء التنظيف.
- ◀ لا تستخدم رشاش الماء أو البخار لتنظيف الجهاز.
- ◀ لا تنظف الأرفف الزجاجية الباردة بالماء الساخن. قد يؤدي تغير درجة الحرارة المفاجئ إلى انكسار الزجاج.
- ◀ إذا تركت جهازك خارج الاستخدام لفترة طويلة، فاتركه مفتوحًا لمنع الروائح والأبخرة الكريهة من التراكم بالداخل.

معلومات غاز التبريد**تحذير!** 

يحتوي الجهاز على غاز تبريد أيزوبيوتان (R600a) قابل للاشتعال. تأكد من عدم تلف دائرة التبريد أثناء النقل أو التركيب. قد يتسبب تسرب وسيط التبريد في حدوث إصابات بالعينين أو تهيجهما. في حالة حدوث ضرر، ابق بعيدًا عن مصادر النار المفتوحة، وقم بتهوية الغرفة جيدًا، ولا تقم بتوصيل أو فصل أسلاك الطاقة الخاصة بالجهاز أو أي جهاز آخر. قم بإبلاغ خدمة العملاء. في حالة ملامسة سائل التبريد للعينين، اشطفهما على الفور تحت الماء الجاري واتصل بأخصائي العيون على الفور.

تحذير: نظام التبريد تحت ضغط مرتفع. لا تعبت به. نظرًا لاستخدام المبردات القابلة للاشتعال، يرجى تركيب الجهاز ومناولته وصيانتها بدقة وفقًا للتعليمات والاتصال بالوكيل المتخصص أو خدمة ما بعد البيع لدينا للتخلص من الجهاز.


2 - الاستخدام المقصود

2.1 الاستخدام المقصود

- هذا الجهاز مصمم للاستخدام في المنزل والاستخدامات المماثلة مثل
- مناطق مطبخ الموظفين في المحلات والمكاتب وبيئات العمل الأخرى؛
 - منازل المزارعين ومن قِبل العملاء في الفنادق والموتيلات والبيئات الأخرى ذات الطابع السكني؛
 - البيئات التي بها أسرة وأماكن لتناول الفطور؛
 - المطاعم وما شابهها من أماكن غير مخصصة لبيع التجزئة.
- ◀ في حالة عدم استخدام الجهاز لفترة طويلة من الوقت، وإذا كنت ستستخدم وظيفة Holiday أو وظيفة الإيقاف للثلاجة/الفریزر:
- قم بإخراج الطعام.
 - افصل كابل التيار الكهربائي.
 - فرغ خزان الماء ونظفه.
 - قم بتنظيف الجهاز كما هو موضح أعلاه.
 - أبق الأبواب مفتوحة لمنع ظهور الروائح الكريهة بالداخل.
- ◀ لضمان الحفاظ على المواد الغذائية أو النييد بشكل آمن، يرجى الامتنثال لتعليمات الاستخدام هذه.
- ◀ لتجنب تلوث الطعام (غير صالح لقبو النييد)، يرجى مراعاة التعليمات التالية:
- يمكن أن يتسبب فتح الباب لفترات طويلة في زيادة درجة الحرارة في حجيرات الجهاز بشكل كبير.
 - قم بتنظيف الأسطح التي قد تتلامس مع الطعام وأنظمة التصريف التي يمكن الوصول إليها تنظيفًا منتظمًا.
 - نظف خزانات المياه إذا لم يتم استخدامها لمدة 48 ساعة؛ اشطف نظام المياه المتصل بالإمداد إذا لم يتم سحب المياه لمدة 5 أيام.
 - قم بتخزين اللحوم النيئة والأسماك في حاويات مناسبة في الثلاجة/الفریزر، بحيث لا تتلامس مع غيرها من المواد الغذائية أو تسقط عليها قطرات من الأطعمة الأخرى. لضمان الحفاظ الآمن على المواد الغذائية، يجب تخزين الأغذية الفورية واللحوم النيئة/الأسماك بشكل منفصل.
 - حجيرات الطعام المجمد ذات النجمتين مناسبة لتخزين الأطعمة المجمدة مسبقًا، أو تخزين الآيس كريم ومكعبات الثلج أو صنعها.
 - الحجيرات ذات النجمة والنجمتين والثلاث نجمات ليست مناسبة لتجميد الطعام الطازج.
 - في حالة ترك جهاز التبريد فارغًا لفترات طويلة، قم بإيقاف التشغيل وإزالة الثلج وتنظيف الجهاز وتجفيفه، وترك الباب مفتوحًا لمنع نمو الطحالب داخل الجهاز.
- ◀ يوجد في الجزء أدناه التفاصيل عن الأجزاء الأكثر ملاءمة في حجيرة الجهاز حيث يتم تخزين أنواع معينة من الطعام، مع مراعاة توزيع درجة الحرارة التي يمكن أن تختلف حسب الأجزاء المختلفة للجهاز كما هو وارد في جزء آخر من الكتيب.

التخلص من المنتج



يشير الرمز  الموجود على المنتج أو على التغليف الخاص به أن هذا المنتج لا يُعامل معاملة النفايات المنزلية. وبدلاً من ذلك، يجب تسليمه إلى نقطة التجميع المناسبة لإعادة تدوير المعدات الكهربائية والإلكترونية. من خلال التأكد من أن هذا المنتج يتم التخلص منه بصورة صحيحة، فأنت تساعد في الحد من حدوث العواقب السلبية المحتملة المؤثرة على البيئة وصحة الإنسان، والتي يمكن أن تنتج بسبب التعامل مع نفايات هذا المنتج بطريقة غير مناسبة. لمزيد من المعلومات عن إعادة تدوير هذا المنتج، فضلاً اتصل بالبلدية أو خدمة التخلص من النفايات المنزلية أو المتجر الذي اشترت منه هذا المنتج.

نظراً لاستخدام غازات النفخ العازلة القابلة للاشتعال، يرجى الاتصال بالوكيل المتخصص أو خدمة ما بعد البيع للتخلص من الجهاز.

تحذير!

خطر الإصابة أو الاختناق!

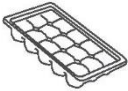
يجب التخلص من المبردات والغازات بطريقة احترافية. تأكد من عدم تلف أنابيب التبريد قبل التخلص منها بشكل صحيح. افصل الجهاز عن مصدر التيار الكهربائي. اقطع كابلات التيار الكهربائي وتخلص منه. قم بإزالة الأدرج والصواني بالإضافة إلى ماسك الباب والحشيات لمنع الأطفال والحيوانات الأليفة من الانحساس داخل الجهاز.

التغييرات أو التعديلات على الجهاز غير مسموح بها. قد يتسبب الاستخدام غير المقصود في مخاطر وفقدان مطالبات الضمان.

2.2 الملحقات

تحقق من الملحقات والنشرات الفنية وفقاً لهذه القائمة (الشكل 2.2):

2.2



صواني مكعبات الثلج



صينية البيض



مفك المسامير



بطاقة الضمان



كتيب المستخدم

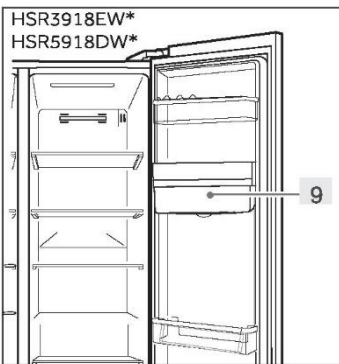
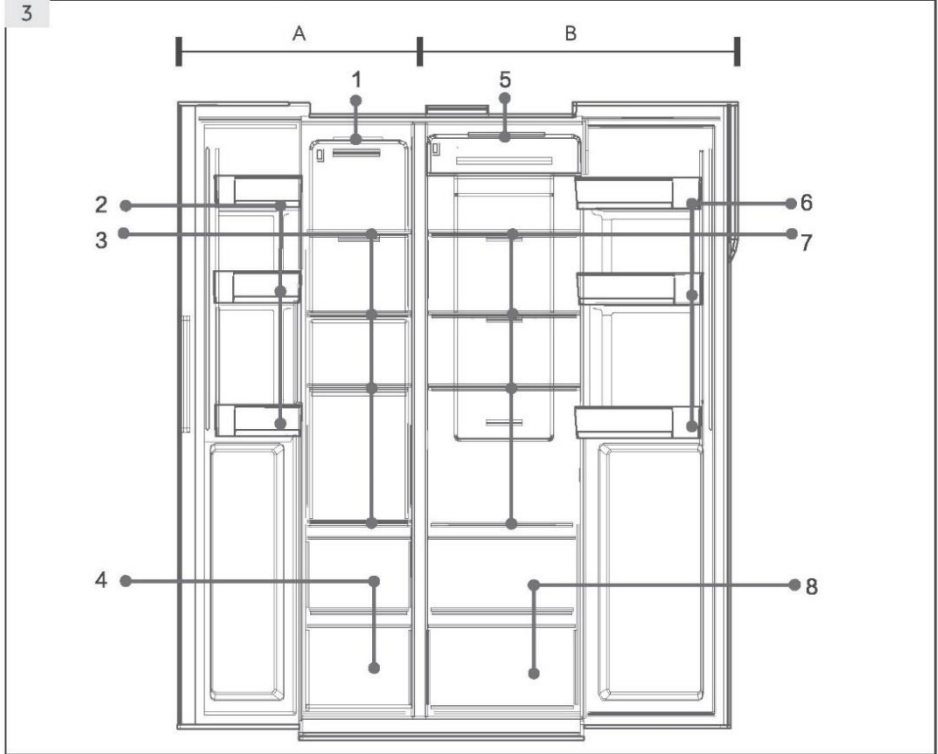
3 - وصف المنتج

ملاحظة



بسبب التغييرات الفنية والمآذج المختلفة، قد تختلف بعض الرسوم التوضيحية في هذا الكتيب عن النموذج الخاص بك.

صور الأجهزة (الشكل 3)



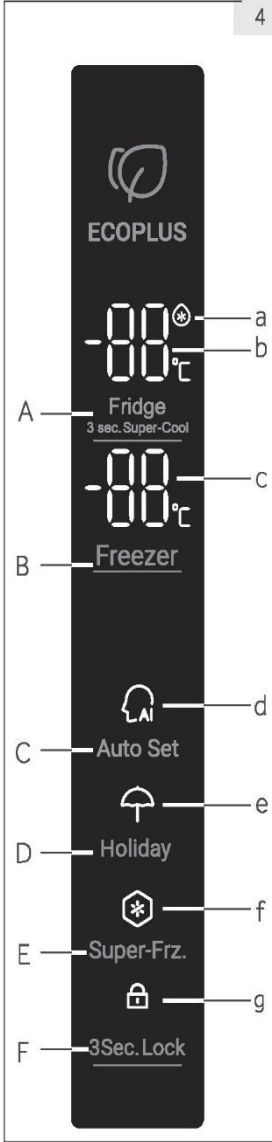
B: حجرة التلاجة

- 5 مصباح السقف
- 6 رف الباب / حامل الزجاجات
- 7 رفوف التلاجة
- 8 صندوق التلاجة
- 9 خزان الماء

A: حجرة المجمد

- 1 مصباح السقف
- 2 رف الباب / حامل الزجاجات
- 3 رفوف المجمد
- 4 صندوق المجمد

لوحة التحكم (الشكل 4)



المفاتيح:

- A. مفتاح التلاجة
- B. مفتاح الفريزر
- C. وضع Auto Set
- D. وضع Holiday
- E. وضع Super-Freeze
- F. مفتاح قفل اللوحة

المؤشرات:

- a. وضع Super-Cool
- b. درجة حرارة التلاجة
- c. درجة حرارة الفريزر
- d. وضع Auto Set
- e. وضع Holiday
- f. وضع Super-Freeze
- g. قفل لوحة التحكم

5.1 الاستعمال للمرة الأولى

عند توصيل الثلاجة بالطاقة لأول مرة، تكون الشاشة قيد التشغيل. درجة الحرارة الافتراضية لـ حجرة الثلاجة هي 4 درجات مئوية، والفريرز -18 درجة مئوية، ضوء وظيفة intelligence يعمل.

5.2 قفل/إلغاء قفل اللوحة

القفل التلقائي:

عندما يتم إغلاق باب الثلاجة وباب الفريزر، ولا توجد عملية على أي زر لمدة 30 ثانية، سيتم إيقاف تشغيل مصباح اللوحة تلقائياً. ويتم قفل اللوحة.

القفل اليدوي:

عند إلغاء قفل اللوحة، اضغط على زر القفل لمدة 3 ثوانٍ، وسيصدر الجرس صغيراً، ويضيء مؤشر القفل، ثم يتم قفل الشاشة.



المؤشر قيد التشغيل
اللوحة مقفلة
اضغط لمدة 3 ثوانٍ.

إلغاء القفل:

عند إيقاف تشغيل اللوحة، افتح أي باب من أبواب الثلاجة أو المس أي زر في لوحة التحكم، وستضيء اللوحة. في هذا الوقت، اللوحة مقفلة. اضغط على زر وظيفة القفل لمدة 3 ثوانٍ، وسوف يصدر صوت الجرس، ومؤشر القفل مطفاً واللوحة غير مقفلة.



المؤشر منطفئ
لوحة غير مقفلة
انتظار لمدة 3 ثوانٍ
اللوحة قيد التشغيل
افتح الباب أو
اضغط على أي زر

5.3 تعديل درجة حرارة الثلاجة

1. عندما تكون لوحة التحكم غير مقفلة، اضغط على "محدد Fridge"، وسيصدر صوت الجرس. يومض مؤشر درجة حرارة الثلاجة. الآن يمكن ضبط درجة حرارة الثلاجة.

2. ثم بعد كل ضغطة على محدد الثلاجة، يصدر صوت الجرس، ويقبل الإعداد بمقدار 1. يكون تسلسل التحول في حلقة مسغرة مثل "4°C / 3°C / 2°C / 1°C / 9°C / 8°C / 7°C / 6°C / 5°C / 4°C"



ملاحظة

الاجهاز مضبوط مسبقاً على درجة الحرارة الموصى بها وهي 4 درجات مئوية (الثلاجة) و-18 درجة مئوية (المجمد). في ظل الظروف المحيطة العادية، لا تحتاج إلى ضبط درجة الحرارة.

5.4 تعديل درجة حرارة الفريزر

1. عندما تكون لوحة التحكم غير مقفلة، اضغط على "محدد الفريزر"، ويصدر صوت الجرس، يومض مؤشر درجة حرارة الفريزر. الآن يمكن ضبط درجة حرارة الفريزر.
2. ثم كل ضغطة على محدد المجمد، يصدر صوت الجرس، وتنخفض درجة الحرارة بمقدار 1. يكون تسلسل التغيير في حلقة مسغرة مثل
 $-18^{\circ}\text{C}/-19^{\circ}\text{C}/-20^{\circ}\text{C}/-21^{\circ}\text{C}/-22^{\circ}\text{C}/-23^{\circ}\text{C}/-24^{\circ}\text{C}/-14^{\circ}\text{C}/-15^{\circ}\text{C}/-16^{\circ}\text{C}/-17^{\circ}\text{C}/-18^{\circ}\text{C}$



ملاحظة



◀ يتم ضبط درجة الحرارة، إذا لم يتم الضغط على أي زر خلال 5 ثوان، فسيتم تأكيد درجة الحرارة وحفظها تلقائيًا.

5.5 وضع Auto set

1. عندما تكون لوحة التحكم غير مقفلة، اضغط على "محدد وضع Auto set"، ويصبح مؤشر وضع Auto set قيد التشغيل. يبدأ وضع Auto set.
2. عندما يكون مؤشر وضع Auto set قيد التشغيل، اضغط على محدد وضع Auto set، ويصدر صوت الجرس، وينطفئ مؤشر وضع Auto set، ويغلق وضع Auto set.



ملاحظة



◀ عند تشغيل وضع Auto set، لا يمكن تحديد درجة حرارة التلاجة ودرجة حرارة الفريزر. عند الضغط على محدد التلاجة أو محدد الفريزر، يومض مؤشر وضع Auto set بأصوات لتذكيرك بأن العملية غير مسموح بها. باستخدام وضع Auto set، يتم تحديد وظيفة fast cool أو fast freeze أو holiday، وإيقاف تشغيل وضع Auto set، وإغلاق وضع Auto set تلقائيًا.

5 - الاستخدام

5.6 وضع Holiday

تم تصميم وضع Holiday لحالة عدم استخدام الثلاجة لفترة طويلة. عندما يكون وضع Holiday في وضع التشغيل، يمكن اختيار درجة حرارة الفريزر، بينما يتم ضبط درجة حرارة الثلاجة تلقائيًا على 17 درجة مئوية، مما يتجنب أي رائحة بسبب ارتفاع درجة الحرارة في حجرة الثلاجة، كما يوفر أيضًا استهلاك الطاقة.

1. عندما تكون لوحة التحكم غير مغلقة، اضغط على "محدد وضع Holiday"، ويصدر صوت الجرس، ويضيء مؤشر وظيفة Holiday. يبدأ وضع Holiday.
2. عندما يكون مؤشر وضع Holiday قيد التشغيل، اضغط على محدد وظيفة Holiday، ويصدر صوت الجرس، وينطفئ مؤشر وضع Holiday، ويغلق وضع Holiday.

ملاحظة 

- عند تشغيل وضع Holiday، لا يمكن تحديد درجة حرارة الثلاجة. عند الضغط على محدد الثلاجة، يومض مؤشر وضع Holiday بأصوات تذكير بأن العملية غير مسموح بها.
- قبل تحديد وضع Holiday، يرجى إفراغ حجرة الثلاجة لتجنب تلف الطعام. مع تشغيل وضع Holiday، لا يمكن تحديد وظيفة intelligence و fast cool في وقت واحد. إذا تم تحديد وضع intelligence أو fast cool، فسيتم إيقاف تشغيل مؤشر وضع Holiday ويتم إغلاق الوظيفة تلقائيًا.

5.7 وضع Super-Cool

1. عندما تكون لوحة التحكم غير مغلقة، اضغط على "محدد الثلاجة" لمدة 3 ثوانٍ، ويصدر الجرس طنينًا، ويضيء مؤشر super cool. يبدأ وضع super cool.
2. عند تشغيل مؤشر super-cool، اضغط على محدد الثلاجة لمدة 3 ثوانٍ، يصدر الجرس صوتًا، ويتم إيقاف تشغيل مؤشر super-cool. يتم إغلاق وضع Super cool.
3. عند تشغيل وضع super-cool، ستتحول الثلاجة تلقائيًا إلى حالة إيقاف التشغيل في وضع super-cool بعد وصول وضع super-cool إلى الحالة المحددة. إذا كنت ترغب في الخروج يدويًا، يمكنك الضغط على محدد الثلاجة لمدة 3 ثوانٍ لإيقاف تشغيل وضع super-cool.

ملاحظة 

- مع تشغيل وظيفة super-cool، لا يمكن تحديد وضع Fuzzy ووضع Holiday في نفس الوقت. إذا تم تحديد وضع Fuzzy أو وضع Holiday، فسيتم إيقاف تشغيل مؤشر super-cool ويتم إغلاق وضع super-cool تلقائيًا.
- سيتم تعطيل وظيفة super-cool تلقائيًا عندما تستمر الوظيفة لأكثر من 6 ساعات.

5.8 وضع Super-Freeze

1. عندما تكون لوحة التحكم غير مغلقة، اضغط على محدد Super-Freeze، ويصدر صوت الجرس، يضيء مؤشر Super-Freeze. يبدأ وضع Super-Freeze.
2. مع تشغيل مؤشر Super-Freeze، اضغط على محدد Super-Freeze، يصدر صوت الجرس، وينطفئ مؤشر Super-Freeze وينغلق وضع Super-freeze.
3. عند تشغيل وضع Super-Freeze، ستتحول الثلاجة تلقائيًا إلى وضع إيقاف Super-Freeze بعد أن يصل وضع Super-Freeze إلى الحالة المحددة. إذا كنت ترغب في الخروج يدويًا، يمكنك الضغط على محدد Super-Freeze لمدة 3 ثوانٍ لإيقاف تشغيل وضع Super-Freeze.

**ملاحظة**

- تم تصميم وضع Super-Freeze للحفاظ على العناصر الغذائية في حجرة الفريزر، ويتم تجميد الطعام في أقصر وقت ممكن. في حالة تجميد كمية كبيرة من الطعام في وقت واحد، يوصى بضبط وضع Super-Freeze قبل 24 ساعة للوصول إلى درجة حرارة أقل في حجرة الفريزر قبل وضع الطعام. في ظل هذه الحالة، تزداد سرعة التجميد في حجرة الفريزر، ويمكن تجميد الطعام بسرعة، وبالتالي تأمين تغذية الطعام بشكل فعال وتسهيل التخزين. في حالة Super-Freeze، إذا كنت ترغب في اختيار وظيفة intelligence، فسيتم إيقاف مؤشر Super-Freeze، ويتم إغلاق وضع Super-Freeze تلقائيًا.
- سيتم إيقاف تشغيل وظيفة super-freeze تلقائيًا بعد 50 ساعة. وبعدها يتم تشغيل الجهاز عند درجة الحرارة المعينة مسبقًا.

5.9 التنبيه بفتح الباب

عندما يكون وقت فتح الباب طويلًا جدًا أو لم يتم إغلاق الباب، ستصدر الثلاجة إنذار التنقيط في كل مرة، هذا لتذكيرك بإغلاق الباب في الوقت المناسب.

5.10 لوحة تحكم موفرة للطاقة

عندما لا توجد عملية على لوحة التحكم لمدة 30 ثانية، سيتم إيقاف تشغيل اللوحة تلقائيًا وتدخل في حالة القفل، والتي يمكن أن توفر الطاقة. عند الضغط على زر وظيفة القفل أو فتح أي باب، ستضيء لوحة التحكم.

5.11 وظيفة ذاكرة انقطاع التيار الكهربائي

عند إيقاف تشغيل الثلاجة، يتم حفظ حالة العمل اللحظية لانقطاع التيار الكهربائي. بعد توصيل التيار مرة أخرى، تستمر الثلاجة في العمل وفقًا للتحويل والحالة الوظيفية التي تم ضبطها قبل انقطاع التيار الكهربائي. تنبيه: لم يتم حفظ وظيفة القفل. بعد تشغيل الثلاجة مرة أخرى، تبدأ لوحة التحكم في الفحص الذاتي، ويتم إيقاف تشغيل مؤشر وظيفة القفل، ويتم فتح قفل الثلاجة.

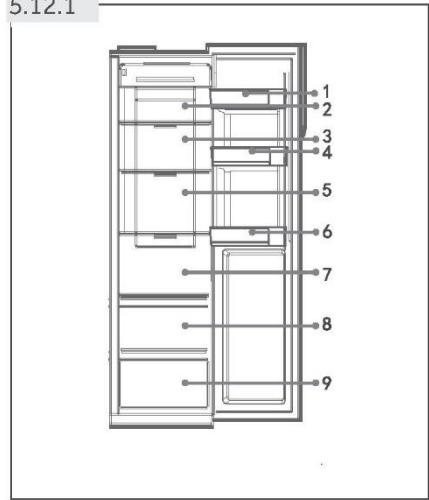
5.12 نصائح حول تخزين الطعام الطازج

5.12.1 التخزين في حجرة التلاجة

- ◀ حافظ على درجة حرارة التلاجة أقل من 5 درجات مئوية.
- ◀ يجب تبريد الطعام الساخن إلى درجة حرارة الغرفة قبل تخزينه في الجهاز.
- ◀ يجب غسل الأطعمة المخزنة في التلاجة وتجفيفها قبل تخزينها
- ◀ يجب أن يتم حفظ الطعام الذي يتم تخزينه بشكل صحيح لتجنب تغيرات الرائحة أو المذاق.
- ◀ لا تخزن كميات زائدة من الطعام. اترك مسافات بين الأطعمة للسماح بتدقيق الهواء البارد حولها، للحصول على تبريد أفضل وأكثر تجانسًا.
- ◀ يجب تخزين الأطعمة التي يتم تناولها يوميًا في الجزء الأمامي من الرف.
- ◀ اترك فجوة بين الأطعمة والجدران الداخلية، لكي تسمح بتدقيق الهواء. لا تخزن الأطعمة على الجدار الخلفي بطريقة معينة: يمكن أن تتجمد الأطعمة في الجدار الخلفي. تجنب التلامس المباشر للأطعمة (خاصة الأطعمة الزيتية أو الحمضية) مع البطانة الداخلية، حيث أن الزيت/الحمض يمكن أن يؤدي إلى تآكل البطانة الداخلية. نظف الأوساخ الدهنية/الحمضية كلما وجدت.
- ◀ قم بإزالة تجميد الأطعمة المجمدة في حجرة تخزين التلاجة. بهذه الطريقة، يمكنك استخدام الطعام المجمد لتقليل درجة الحرارة في الحجرة وتوفير الطاقة.
- ◀ يمكن أن يتم تسريع فساد الفواكه والخضروات مثل الكوسة والبطيخ والبابايا والموز والأناناس، وما إلى ذلك في التلاجة. لذلك، لا ينصح بتخزينها في التلاجة. ومع ذلك، يمكن تعزيز تعتيق الفار الخضراء ذات قدرة التحمل لفترة معينة. يجب أيضًا تخزين البصل والثوم والزنجبيل والخضروات الجذرية الأخرى في درجة حرارة الغرفة.
- ◀ يمكن أن تشير الروائح الكريهة داخل التلاجة إلى أن شيئًا ما انسكب وأن التنظيف مطلوب. انظر "العناية والتنظيف"
- ◀ يجب وضع الأطعمة المختلفة في مناطق مختلفة وفقًا لخصائصها (الشكل 5.12.1):

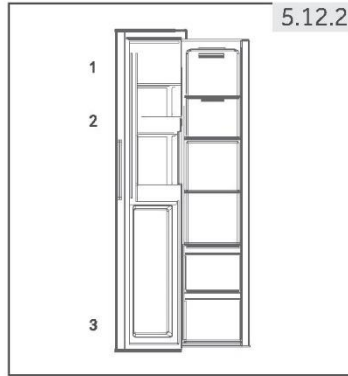
5.12.1

- 1 الزبدة والجبن، إلخ.
- 2 الأطعمة المخللة، الطعام المعلب، إلخ.
- 3 الأطعمة المخللة، الطعام المعلب، إلخ.
- 4 العلب والأطعمة المعلبة والتوابل وما إلى ذلك.
- 5 منتجات اللحوم والأطعمة الخفيفة وما إلى ذلك.
- 6 المشروبات والأطعمة المعبأة في زجاجات.
- 7 المعكرونة والأغذية المعلبة والحليب والتوفو ومنتجات الألبان إلخ.
- 8 الفواكه والخضروات والسلطة وغيرها
- 9 اللحوم المطبوخة والتفانق وغيرها



5.12.2 التخزين في حجرة الفريزر

- ◀ حافظ على درجة حرارة الفريزر عند - 18 درجة مئوية.
- ◀ فعل وظيفة Super-Freeze قبل 24 ساعة من التجميد؛ - بالنسبة لكميات الطعام الصغيرة، تكفي 4 - 6 ساعات.
- ◀ يجب تبريد الطعام الساخن إلى درجة حرارة الغرفة قبل تخزينه في حجرة الفريزر.
- ◀ سوف يتجمد الطعام المقطع إلى أجزاء صغيرة بشكل أسرع وسيكون من السهل تذويبه وطهيه. الوزن الموصى به لكل جزء أقل من 2.5 كجم
- ◀ من الأفضل تعبئة الطعام قبل وضعه في الفريزر. يجب أن يكون الجزء الخارجي من العبوة جافاً لتجنب التصاق الأكياس ببعضها. يجب أن تكون مواد التغليف خالية من الروائح، ومُحكمة الغلق، وغير سامة.
- ◀ لتجنب انتهاء فترات التخزين، يرجى ملاحظة تاريخ التجميد، والوقت المحدد واسم الطعام على العبوة وفقاً لفترات تخزين الطعام المختلفة.
- ◀ **تحذير!** يمكن أن تؤدي الأحماض والقلويات والملح وما إلى ذلك إلى تآكل السطح الداخلي للمجمد. لا تضع الطعام الذي يحتوي على هذه المواد (مثل أسماك البحر) مباشرة على السطح الداخلي. يجب تنظيف الفريزر من المياه المالحة على الفور.
- ◀ لا تتجاوز أوقات تخزين الطعام الموصى بها من قبل الشركات المصنعة. خذ فقط كمية الطعام المطلوبة من الفريزر.
- ◀ يجب وضع الأطعمة المختلفة في مناطق مختلفة وفقاً لخصائصها الشكل (5.12.2):



1. العناصر الأقل وزناً، مثل الآيس كريم والخضروات والخبز وما إلى ذلك.
2. مشروبات لا تحتوي على نسبة عالية من الكحول وتخزين مؤقت للمشروبات الروحية التي تحتوي على نسبة عالية من الكحول، أجزاء صغيرة مثل البييتزا أو الأعشاب.
3. كميات كبيرة / أثقل من الطعام، مثل قطع اللحم للشواء

ملاحظة: التخزين



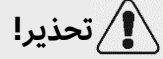
- ◀ يُرجى الحفاظ على مسافة أكثر من 10 مم بين الطعام الموضوع والمستشعر لضمان تأثير التبريد.
- ◀ يرجى استعمال أدنى درج عندما يعمل الجهاز من أجل ضمان تأثير التبريد.
- ◀ يجب تخزين الطعام الذي يحتوي على الثلج (مثل الآيس كريم وما إلى ذلك) داخل حجرة الفريزر بدلاً من حامل الزجاج، لأن تغيرات درجة الحرارة في حامل الزجاجه بسبب فتح الباب وإغلاقه قد تذيب الطعام.
- ◀ تناول الطعام المجمد بسرعة. لا يمكن إعادة تجميد الطعام الذي تم إذابته إلا إذا تم طهيه أولاً، وإلا فقد يصبح غير صالح للتناول بشكل أكبر.
- ◀ لا تقم بتحميل كميات كبيرة من الطعام الطازج في حجرة الفريزر. ارجع إلى سعة التجميد الخاصة بالفريزر - انظر "البيانات الفنية" أو البيانات الموجودة على لوحة النوع.
- ◀ يمكن تخزين الطعام في الفريزر عند درجة حرارة -18 درجة مئوية على الأقل لمدة 2 إلى 12 شهراً، اعتماداً على خصائصه (مثل اللحوم: 3-12 شهر، أو الخضراوات: 6-12 شهر)
- ◀ عند تجميد الطعام الطازج، تجنب ملامسته للأطعمة المجمدة بالفعل. خطر الذوبان!
- ◀ قم بفك تجميد الطعام المجمد في الثلجة. بهذه الطريقة، يمكنك استخدام الطعام المجمد لتقليل درجة الحرارة في الحجرة وتوفير الطاقة.

5.12.3 عند تخزين الأطعمة المجمدة تجاريًا، يرجى اتباع الإرشادات التالية:

- ◀ اتبع دائمًا إرشادات الشركات المصنعة للمدة الزمنية التي يجب تخزين الطعام فيها. لا تتجاوز هذه الإرشادات!
- ◀ حاول أن تبقى الفترة الزمنية بين الشراء والتخزين قصيرة قدر الإمكان للحفاظ على جودة الطعام.
- ◀ قم بشراء الأطعمة المجمدة التي تم تخزينها عند درجة حرارة -18 درجة مئوية أو أقل.
- ◀ تجنب شراء الطعام الذي يحتوي على ثلج أو جليد على العبوة - يشير هذا إلى أن المنتجات ربما تم تذويبها جزئيًا وإعادة تجميدها في وقت ما - يؤثر ارتفاع درجات الحرارة على جودة الطعام.

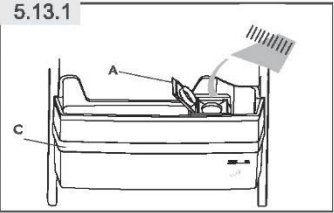
5.13 موزع المياه (*hsr3918ew* / hsrs918dw)

مع موزع المياه، يمكن استغلال مياه الشرب الباردة.
يجب تنظيف خزان المياه قبل الاستخدام الأول (انظر العناية والتنظيف).

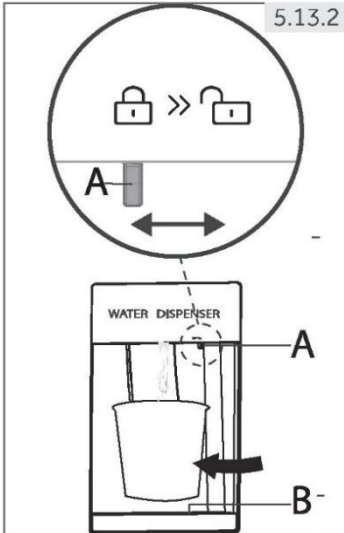
5.13.1 ملء خزان المياه**تحذير!**

استخدم مياه الشرب فقط.

1. تأكد من إدخال خزان المياه بشكل صحيح (انظر المعدات)
2. افتح الغطاء (أ) وصب مياه الشرب العذبة في خزان المياه (الشكل 5.13.1)
3. املاً الماء فقط حتى العلامة (2.5)؛ لأنه يمكن أن يفيض الماء عند فتح الباب وإغلاقه.
4. أغلق الغطاء (أ) تماماً.

**ملاحظة: موزع المياه**

- ◀ قبل إعادة التعبئة، تخلص من المياه المتبقية ونظف خزان المياه.
- ◀ عندما لا تحتاج إلى الماء لفترة طويلة، يرجى تفريغ خزان المياه وإدخال الخزان النظيف.
- ◀ بالإضافة إلى ذلك، يتم استخدام الغطاء (C) الموجود على خزان المياه (الشكل 5.13.1) لتوفير الطاقة. إذا كنت لا ترغب في الحصول على الماء من موزع المياه لفترة طويلة، فالرجاء الاستمرار في تثبيت الغطاء بسبب العزل الأفضل وتوفير الطاقة.

5.13.2**5.13.2 إحصار الماء من الموزع**

1. تأكد من نقل القفل (أ) إلى "فتح" (الشكل 5.13.2).
2. ضع كوباً تحت مخرج الماء.
3. ادفع برفق على ذراع موزع المياه بالكوب.
4. تأكد من توافق الكوب مع الموزع لمنع تناثر الماء.
5. يجب إزالة الماء الموجود في الدرج (ب) في الوقت المناسب، لأنه قد يفيض عند فتح الباب وإغلاقه.
6. حرك القفل (أ) إلى الموضع "قفل"

6 - نصائح لتوفير الطاقة

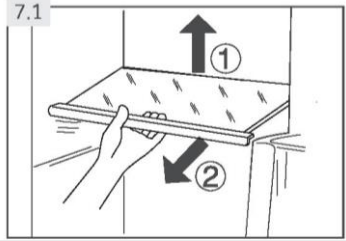
نصائح لتوفير الطاقة



- ◀ تأكد من تهوية الجهاز بشكل صحيح (انظر فقرة "التركيب").
- ◀ لا تقم بتركيب الجهاز في ضوء الشمس المباشر أو بالقرب من مصادر الحرارة (مثل المواقد والسخانات).
- ◀ تجنب درجات الحرارة المنخفضة غير الضرورية في الجهاز. يزيد استهلاك الطاقة مع زيادة خفض درجة حرارة الجهاز.
- ◀ تستهلك وظائف مثل Super-Cool أو Super-Freeze مزيدًا من الطاقة.
- ◀ دع الأغذية الدافئة تبرد قبل وضعها في الجهاز.
- ◀ افتح باب الجهاز بدرجة قليلة ولفترة قصيرة قدر الإمكان.
- ◀ لا تقرب في تعبئة الجهاز لتجنب إعاقة تدفق الهواء.
- ◀ تجنب وجود هواء داخل عبوة الطعام.
- ◀ حافظ على نظافة موانع التسرب الخاصة بالباب بحيث يغلق الباب بشكل صحيح دائمًا.
- ◀ قم بإزالة تجميد الأطعمة المجمدة في حجرة تخزين التلاجة.
- ◀ يتطلب التكوين الأكثر توفيرًا للطاقة أن يحتفظ الجهاز بالأدراج وعلبة الطعام والأرفف في حالة المصنع الطازجة، ويجب أن يكون الطعام في أماكن بعيدة قدر الإمكان دون سد مخرج الهواء في مجرى الهواء.

7.1 رفوف قابلة للتعديل

- يمكن تعديل ارتفاع الرفوف ليناسب احتياجات التخزين الخاصة بك.
1. لنقل الرف، قم بإزالته أولاً عن طريق رفع الحافة الخلفية (1) وسحبه للخارج (2) (الشكل 7.1).
 2. لإعادة تثبيته، ضعه على العروات على كلا الجانبين، وادفعه إلى أقصى موضع للخلف حتى يستقر الجزء الخلفي من الرف داخل الفتحات في الجانبين



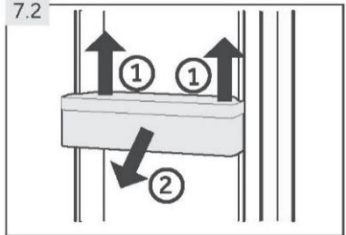
ملاحظة: الأرفف



تأكد من أن جميع أطراف الرف مستوية.

7.2 رفوف باب قابلة للإزالة / حامل زجاجة

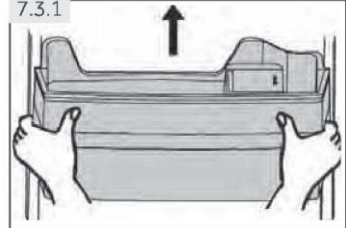
- يمكن إزالة رفوف الباب / حامل الزجاجات للتنظيف:
1. ضع اليدين على كل جانب من الرف / الحامل وارفعه لأعلى (1) (الشكل 7.2).
 2. اسحب رف الباب / حامل الزجاجات للخارج (2).
 3. من أجل إدخال رف الباب/حامل الزجاجات، يتم تنفيذ الخطوات المذكورة أعلاه بترتيب عكسي.



7.3 خزان المياه (*hsr3918ew* / hsr5918dw)

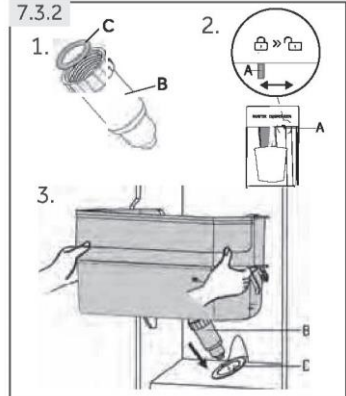
7.3.1 قم بإزالة خزان المياه

- يمكن إزالة خزان المياه وإعادة تركيبه للتنظيف بنفس طريقة رفوف الباب (الشكل 7.3.1).



7.3.2 أدخل خزان المياه

1. تأكد من أن صنوبر الوزع (B) مثبت بإحكام في خزان المياه وأن الحلقة الدائرية البيضاء (C) في موضعها (الشكل 7.3.2-1).
2. حرك القفل (أ) إلى الموضع "قفل" (الشكل 7.3.2-2).
3. ضع خزان المياه في الموضع بحيث يناسب صنوبر الوزع (B) في فتحة الباب (D) (الشكل 7.3.2-3).



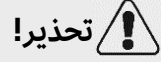
ملاحظة: خزان الماء



- ▶ إذا لم يتم إدخال خزان المياه بشكل صحيح، فقد تتساقط المياه من الوصلة.
- ▶ لا تستخدم القوة المفرطة عند فك أو تركيب خزان المياه لتجنب إتلاف الخزان.

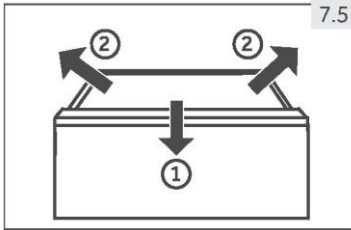
7.4 حجرة الفريزر - حامل الزجاجات

تم تصميم حاملات الزجاجات في حجرة الفريزر للتخزين المؤقت للمشروبات الروحية التي تحتوي على نسبة عالية من الكحول. يجب تبريد المشروبات الخالية من الكحول في الثلاجة. بالإضافة إلى ذلك، يمكنك تخزين أجزاء صغيرة في حوامل الزجاجات.



تحذير!

قد تنفجر الزجاجات والعلب! اضبط مؤقتًا بذكرك بإزالة الزجاجات / العلب التي لا تحتوي على نسبة عالية من الكحول.



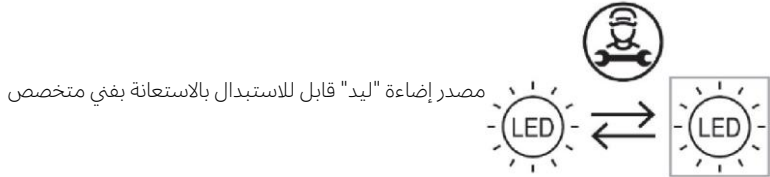
7.5

7.5 درج قابل للإزالة

لإزالة الدرج من الثلاجة أو حجرة الفريزر، اسحبه للخارج إلى أقصى حد (1)، ارفعه وأزله (2) (الشكل 7.5). من أجل إدخال الدرج، يتم تنفيذ الخطوات المذكورة أعلاه بترتيب عكسي.

7.6 المصباح

يضيء مصباح الـ LED الداخلي عندما يتم فتح باب الثلاجة. لا يتأثر أداء المصباح بأي من الإعدادات الأخرى للجهاز.



يحتوي هذا المنتج على مصدر إضاءة مع التوفير في الطاقة من الفئة G.

الموديل	فئة كفاءة الطاقة	أقصى طاقة	الجهد الكهربائي	الحجرة
*HSR3918EN *HSR3918EW *HSR3918FN *HSR5918DN *HSR5918DW PW,PB,PL,PG,PN,MRMB=*	G	1.5 واط	12 فولت	الثلاجة
	G	1.5 واط	12 فولت	الجمد

تحذير!

قم بفصل الجهاز من مصدر التيار الكهربائي قبل التنظيف.

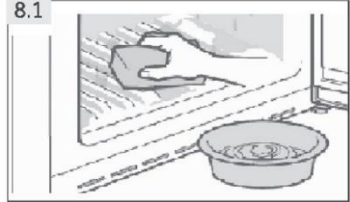
8.1 التنظيف

قم بتنظيف الجهاز عند تخزين القليل من الطعام أو عدم وجود طعام مُخزن. يجب تنظيف الجهاز كل أربعة أسابيع لصيانة جيدة ولتجنب ظهور روائح الطعام المخزن السيئة.

تحذير!

- ◀ لا تقم بتنظيف الجهاز باستخدام الفرش الصلبة، والفرش السلكية، ومسحوق التنظيف، والبزيرين، وأميلات الأسيئات، والأسيتون والمحاليل العضوية المماثلة، أو المحاليل الحمضية أو القلوية. يرجى التنظيف باستخدام منظم الثلجة الخاص لتجنب التلف.
- ◀ لا تقم برش الجهاز أو غسله أثناء التنظيف.
- ◀ لا تستخدم رشاش الماء أو البخار لتنظيف الجهاز.
- ◀ لا تنظف الأرفف الزجاجية الباردة بالماء الساخن. قد يؤدي تغير درجة الحرارة المفاجئ إلى انكسار الزجاج.
- ◀ لا تلمس السطح الداخلي لحجيرة تخزين الفريزر، خاصة باستخدام اليدين المبللتين، حيث قد تتجمد يديك وتلتصق بالسطح.
- ◀ في حالة حدوث تدفئة، تحقق من حالة البضائع المجمدة.

8.1



- ◀ حافظ دائماً على حشوة الباب نظيفة.
 - ◀ قم بتنظيف داخل الجهاز والمبيت باستخدام إسفنجة مبللة بالماء الدافئ والمنظفات المحايدة (الشكل 8.1).
1. يرجى فرك الجزء الداخلي والخارجي للثلاجة، بما في ذلك موانع التسرب الخاصة بالباب، ورف الباب، والأرفف الزجاجية، والصناديق وما إلى ذلك باستخدام منشفة أو إسفنجة مغموسة في الماء الدافئ (يمكنك إضافة منظف محايد إلى الماء الدافئ).
 2. إذا كان هناك سائل مسكوب، قم بإزالة جميع الأجزاء الملوثة، ثم اشطفها بالماء المتدفق، وجففها وضعها في الثلاجة مرة أخرى.
 3. إذا كان هناك كريم مسكوب (مثل الكريمة، آيس كريم ذائب)، فيرجى إزالة جميع الأجزاء الملوثة، ووضعها في الماء الدافئ عند حوالي 40 درجة مئوية لبعض الوقت، ثم شطفها بالماء الجاري، وتجفيفها وإعادة وضعها في الثلاجة.
 4. في حالة انحشار جزء أو مكون صغير داخل الثلاجة (بين الرفوف أو الأدراج)، استخدم فرشاة ناعمة صغيرة لإزالته. إذا لم تتمكن من الوصول إلى ذلك الجزء، فيرجى الاتصال بخدمة Haier.
- ◀ اشطف وجفف بقطعة قماش ناعمة.
 - ◀ لا تنظف أي جزء من أجزاء الجهاز في غسالة الصحون.
 - ◀ انتظر 5 دقائق على الأقل قبل إعادة تشغيل الجهاز، حيث أن التشغيل المتكرر قد يؤدي إلى تلف الضاغط.

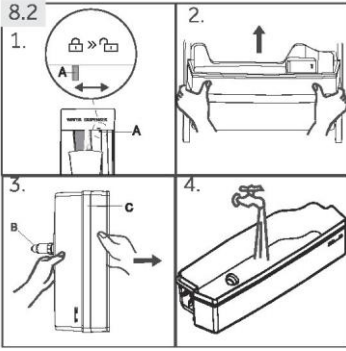
إذابة الثلج

تم إذابة التجمد من الثلاجة وحجيرة الفريزر تلقائياً؛ لا حاجة للقيام بالعملية يدوياً.

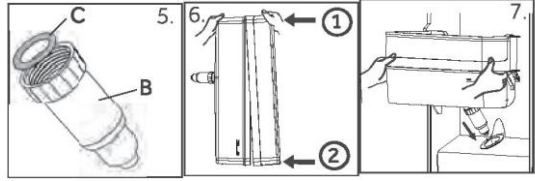
8.2 تنظيف خزان المياه (الشكل 8.2) (* HSR3918EW / HSR5918DW)

1. حرك القفل (أ) إلى الموضع "قفل".

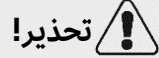
8 - العناية والتنظيف



2. انزع خزان المياه من الجهاز.
3. قم بإزالة الغطاء (ج)، وفك صنوبر الموزع (ب) برفق.
4. نظف خزان المياه وصنوبر الموزع بالماء الجاري الدافئ ومنظف غسيل الأطباق السائل. تأكد من شطف كل الصابون.
5. قم بتثبيت صنوبر الموزع (ب) وتأكد من تثبيته بإحكام في خزان المياه وأن الحلقة الدائرية البيضاء (ج) في موضعها.
6. اضغط على الغطاء لدمجه مع جانب واحد من خزان المياه ثم على الجانب الآخر، تحقق من أن خزان المياه والغطاء مجتمعان بالكامل.
7. استبدل الخزان الموجود داخل الجهاز. تأكد من إدخال صنوبر الموزع بشكل صحيح في فتحة الباب.



8.3 استبدال مصباح الـ LED المحروق



تحذير!

لا تستبدل مصباح الـ LED بنفسك، يجب استبداله فقط من قبل الشركة المصنعة أو وكيل الخدمة المعتمد.

تقوم المصابيح بتكثيف أضواء الـ LED كمصدر للضوء، حيث تتميز باستهلاك منخفض للطاقة وعمر خدمة طويل. فإذا كان معطلا، فاتصل بخدمة العملاء. انظر "خدمة العملاء" معلمات المصابيح: 12 فولت كحد أقصى 3 واط.

8.4 عدم الاستخدام لفترة طويلة

إذا لم يتم استخدام الجهاز لفترة طويلة، ولن تستخدم وظيفة Holiday للثلاجة:

- ◀ قم بإخراج الطعام.
- ◀ فرغ ونظف خزان الماء.
- ◀ افصل كابل التيار الكهربائي.
- ◀ قم بتنظيف الجهاز كما هو موضح أعلاه.
- ◀ أبق الأبواب مفتوحة لمنع ظهور الروائح الكريهة بالداخل.

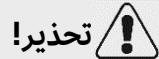
ملاحظة: اطفئ الجهاز



أوقف تشغيل الجهاز عند الضرورة القصوى فقط.

8.5 تحريك الجهاز

1. أزل كل الطعام، وافصل الجهاز عن القابس.
2. قم بتأمين الأرفف والأجزاء المتحركة الأخرى في الثلاجة والفرزير بشريط لاصق.
3. لا تمل الجهاز أكثر من 45 درجة لتجنب إتلاف نظام التبريد.



تحذير!

- ◀ لا ترفع الجهاز من المقبض.
- ◀ لا تضع الجهاز أفقياً على الأرض.

يمكن حل العديد من المشاكل التي تحدث بنفسك دون خبرة محددة. في حالة وجود مشكلة، يرجى التحقق من جميع الاحتمالات الواضحة واتباع التعليمات أدناه قبل الاتصال بخدمة ما بعد البيع. انظر "خدمة العملاء"

تحذير!

- ◀ أوقف تشغيل الجهاز، وافصل قابس التيار الرئيسي عن مقبس التيار الرئيسي قبل الصيانة.
- ◀ يجب صيانة المعدات الكهربائية من قبل خبراء كهربائيين مؤهلين فقط، لأن الإصلاحات غير الصحيحة يمكن أن تتسبب في أضرار لاحقة كبيرة.
- ◀ يجب استبدال كابل الإمداد من قبل الشركة المصنعة أو وكيل الخدمة الخاص بها أو الأشخاص المؤهلين بالدرجة نفسها فقط لتفادي التعرض للخطر.

9.1 جدول استكشاف الأخطاء وإصلاحها

المشكلة	السبب المحتمل	الحل المحتمل
الضاغط لا يعمل.	<ul style="list-style-type: none"> • قابس التيار الرئيسي غير متصل بالمقبس الرئيسي. • الجهاز في دورة إذابة الثلج. 	<ul style="list-style-type: none"> • قم بتوصيل قابس التيار الرئيسي. • يعد هذا أمرًا طبيعيًا لإذابة الثلج تلقائيًا.
يعمل الجهاز بشكل متكرر أو يعمل لفترة طويلة من الزمن.	<ul style="list-style-type: none"> • درجة الحرارة الخارجية أو الداخلية مرتفعة للغاية. • تم إيقاف تشغيل الجهاز لفترة من الوقت. • باب الجهاز غير مغلق بإحكام. 	<ul style="list-style-type: none"> • في هذه الحالة، من الطبيعي أن يعمل الجهاز لفترة أطول. • عادةً، يستغرق الجهاز من 8 إلى 12 ساعة حتى يقوم بالتبريد بشكل كامل. • أغلق الباب، وتأكد من أن الجهاز موضوع على أرض مستوية وأنه لا يوجد طعام أو وعاء يحتك بالباب. • لا تفتح الباب كثيرًا.
يعمل الجهاز بشكل متكرر أو لمدة طويلة أكثر من اللازم.	<ul style="list-style-type: none"> • درجة الحرارة المعينة في حجرة الفريزر منخفضة جدًا. • حشوة الباب متسخة أو متشققة أو ليست في موضعها السليم. • دوران الهواء غير سليم. 	<ul style="list-style-type: none"> • قم بتعيين درجة الحرارة على أعلى حتى يتم الحصول على درجة حرارة مقبولة للثلاجة. يستغرق الأمر 24 ساعة حتى تصبح درجة حرارة الثلاجة مستقرة. • قم بتنظيف حشية الباب أو استبدالها من خلال التواصل مع خدمة العملاء. • تأكد من وجود تهوية كافية.
داخل الثلاجة متسخ و/أو تبعث منه رائحة.	<ul style="list-style-type: none"> • يحتاج الجزء الداخلي من الثلاجة للتنظيف. • يتم تخزين أطعمة ذات رائحة قوية في الثلاجة. 	<ul style="list-style-type: none"> • نظف الثلاجة من الداخل. • قم بلف الأطعمة بشكل كامل.
الجزء الداخلي من الجهاز ليس باردًا بالشكل الكافي.	<ul style="list-style-type: none"> • درجة الحرارة المعينة عالية جدًا. • تم تخزين أطعمة ساخنة للغاية. • تم تخزين الكثير من الطعام في وقت واحد. 	<ul style="list-style-type: none"> • أعد تعيين درجة الحرارة. • قم دائمًا بتبريد البضائع قبل تخزينها. • قم دائمًا بتخزين كميات صغيرة من الطعام.
البضائع قريبة جدًا من بعضها.	<ul style="list-style-type: none"> • باب الجهاز غير مغلق بإحكام. • تم فتح الباب بشكل متكرر أو لمدة طويلة أكثر من اللازم. 	<ul style="list-style-type: none"> • اترك فراغ بين عدة أطعمة لكي تسمح بتدفق الهواء. • أغلق الباب. • لا تفتح الباب كثيرًا.

9 - استكشاف الأعطال وإصلاحها

المشكلة	السبب المحتمل	الحل المحتمل
داخل الجهاز بارد للغاية.	<ul style="list-style-type: none"> درجة الحرارة العينة منخفضة جدًا. تم تنشيط وظيفة Super-Cool/Super-Freeze أو أنها تعمل لفترة طويلة. 	<ul style="list-style-type: none"> أعد تعيين درجة الحرارة. قم بإيقاف تشغيل وظيفة Super-Cool/Super-Freeze.
تتكون الرطوبة داخل حجرة التلاجة.	<ul style="list-style-type: none"> الجو دافئ جدًا ورطب جدًا. باب الجهاز غير مغلق بإحكام. تم فتح الباب بشكل متكرر أو لمدة طويلة أكثر من اللازم. تم ترك حاويات الطعام أو السوائل مفتوحة. 	<ul style="list-style-type: none"> قم بزيادة درجة الحرارة. أغلق الباب. لا تفتح الباب كثيرًا. دع الأطعمة الساخنة تبرد حتى درجة حرارة الغرفة و قم بتغطية الأطعمة والسوائل.
تراكم الرطوبة على التلاجات على السطح الخارجي أو بين الأبواب.	<ul style="list-style-type: none"> الجو دافئ جدًا ورطب جدًا. الباب غير مغلق بإحكام. يسبب الهواء البارد في الجهاز والهواء الدافئ الخارجي حدوث تكثف. 	<ul style="list-style-type: none"> هذا طبيعي في المناخ الرطب، وسيتغير عندما تنخفض الرطوبة. تأكد من إغلاق الباب بإحكام.
يوجد ثلج وجليد كثيران في حجرة الفريزر.	<ul style="list-style-type: none"> لم تكن البضائع معبأة بشكل مناسب. لم يتم إغلاق باب/درج الجهاز بإحكام. تم فتح الباب بشكل متكرر أو لمدة طويلة أكثر من اللازم. حشوة الباب متسخة أو متشققة أو ليست في موضعها السليم. يوجد شيء في الداخل يمنع إغلاق الباب بشكل صحيح. 	<ul style="list-style-type: none"> احزم البضائع دائمًا. أغلق الباب/الدرج. لا تفتح الباب كثيرًا. قم بتنظيف حشية الباب أو استبدالها بأخرى جديدة. أعد وضع الأرفف أو أرفف الباب أو الحاويات الداخلية للسماح بإغلاق الباب.
يصدر الجهاز أصواتًا غير طبيعية.	<ul style="list-style-type: none"> الجهاز غير موضوع على أرض مستوية. يلمس الجهاز بعض الأشياء حوله. 	<ul style="list-style-type: none"> اضبط الأقدام لمساواة الجهاز. قم بإزالة الأشياء حول الجهاز.
يُسمع صوت طفيف مشابه لصوت المياه المتدفقة.	<ul style="list-style-type: none"> هذا أمر طبيعي. 	-
ستسمع صوت صفارة تنبيه.	<ul style="list-style-type: none"> الباب مفتوح. 	<ul style="list-style-type: none"> أغلق الباب.
سوف تسمع صوت طنين.	<ul style="list-style-type: none"> يعمل نظام مكافحة التكتيف. 	<ul style="list-style-type: none"> يقوم هذا بمنع التكتيف، وهو أمر طبيعي.
الإضاءة الداخلية أو نظام التبريد لا يعمل.	<ul style="list-style-type: none"> قابس التيار الرئيسي غير متصل بالمقبس الرئيسي. إمداد التيار الكهربائي غير متصل. مصباح الـ LED معطل. 	<ul style="list-style-type: none"> قم بتوصيل قابس التيار الرئيسي. تحقق من التيار الكهربائي للغرفة. تواصل مع شركة الكهرباء المحلية! يرجى الاتصال بخدمة العملاء لتغيير المصباح.
تصبح جوانب الكابينة وشريط الباب دافئين.	<ul style="list-style-type: none"> هذا أمر طبيعي. 	-
لا يخرج ماء من صنوبر موزع المياه	<ul style="list-style-type: none"> لم يتم إلغاء تنشيط القفل. 	<ul style="list-style-type: none"> قم بإلغاء تنشيط القفل.

9.2 انقطاع التيار الكهربائي

في حالة انقطاع التيار الكهربائي، يظل الطعام باردًا بأمان لمدة 5 ساعات تقريبًا. اتبع هذه النصائح أثناء انقطاع التيار لفترة طويلة، خاصة في فصل الصيف:

- ◀ قلل مرات فتح الباب/الدرج قدر الإمكان.
- ◀ لا تضع طعامًا إضافيًا في الجهاز أثناء انقطاع التيار الكهربائي.
- ◀ إذا تم إعطاء إشعار مسبق بانقطاع الطاقة وكانت مدة الانقطاع أطول من 5 ساعة، قم بصنع بعض الثلج وضعه في حاوية في الجزء العلوي من حجرة التلاجة.
- ◀ يجب فحص البضائع بعد الانقطاع مباشرة.
- ◀ نظرًا لأن درجة الحرارة في التلاجة ترتفع أثناء انقطاع التيار الكهربائي أو نتيجة عطل آخر، يتم تقليل فترة التخزين وجودة الطعام الصالحة للأكل. يجب استهلاك أو طهي وإعادة تجميد أي طعام تمت إذابته (عند الاقتضاء) بعد الانقطاع بقليل من أجل منع المخاطر الصحية.

ملاحظة: وظيفة الذاكرة أثناء انقطاع التيار الكهربائي

بعد رجوع الطاقة، يستمر الجهاز بالإعدادات التي تم تعيينها قبل انقطاع التيار الكهربائي.

10.1 إزالة مواد التعبئة والتغليف

تحذير!

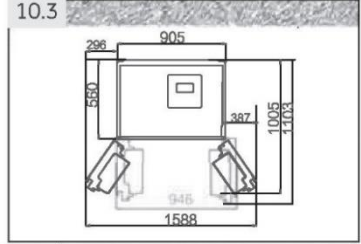
- ◀ هذا الجهاز ثقيل الوزن. يجب أن تم المناولة من قبل شخصين على الأقل دائماً.
- ◀ احتفظ بجميع مواد التغليف بعيداً عن متناول الأطفال، وتخلص منها بطريقة صديقة للبيئة.
- ◀ أخرج الجهاز من العبوة.
- ◀ قم بإزالة جميع مواد التعبئة والتغليف بما في ذلك الغلاف الواقي الشفاف.

10.2 الظروف البيئية

- يجب أن تكون درجة حرارة الغرفة دائماً بين 16 درجات مئوية و43 درجة مئوية، لأنها يمكن أن تؤثر على درجة الحرارة داخل الجهاز واستهلاكه للطاقة. لا تقم بتثبيت الجهاز بالقرب من الأجهزة الأخرى التي تنبعث منها الحرارة (الأفران والثلاجات) دون عزل.
- درجة الحرارة الممتدة (SN): جهاز التبريد هذا مخصص للاستخدام في درجات حرارة محيطية تتراوح بين 10 درجات مئوية و32 درجة مئوية؛
 - درجة الحرارة المعتدلة (N): جهاز التبريد هذا مخصص للاستخدام في درجات حرارة محيطية تتراوح بين 16 درجة مئوية و32 درجة مئوية؛
 - درجة الحرارة شبه الاستوائية (ST): جهاز التبريد هذا مخصص للاستخدام في درجات حرارة محيطية تتراوح بين 16 درجة مئوية و38 درجة مئوية؛
 - درجة الحرارة الاستوائية (T): جهاز التبريد هذا مخصص للاستخدام في درجات حرارة محيطية تتراوح بين 16 درجة مئوية و43 درجة مئوية؛

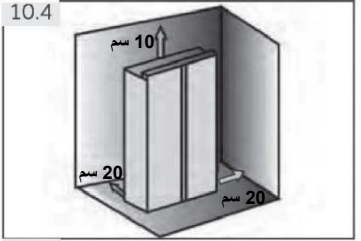
10.3 متطلبات مساحة المكان

- المساحة المطلوبة عند فتح الباب (الشكل 10.3):
عرض الجهاز: 1588 مم
عمق الجهاز: 1103 مم



10.4 تهوية المقطع العرضي

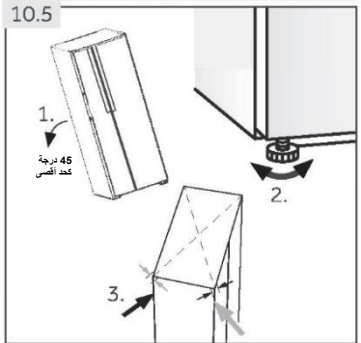
- لتحقيق تهوية كافية للجهاز من أجل السلامة، يجب مراعاة معلومات المقاطع العرضي للتهوية المطلوبة (الشكل 10.4).

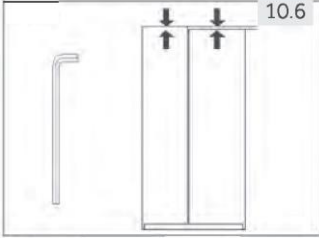


10.5 ضبط مستوى الجهاز

يجب وضع الجهاز على سطح مستوي وصلب.

1. قم بإمالة الجهاز للخلف قليلاً (الشكل 10.5).
 2. اضبط الأقدام على المستوى المطلوب.
 3. تأكد من أن المسافة إلى الحائط على جانبي المفصلة لا تقل عن 5 سم.
- يمكن التحقق من الثبات عن طريق الهز المتناوب للإطار. يجب أن يكون التمايل المحدود هو نفسه في كلا الاتجاهين. وإلا فإن الإطار قد يتشوه؛ ومن الممكن أن ينتج عن ذلك تسرب في موانع تسرب الباب. يُسهل الميل المنخفض إلى الخلف إغلاق الباب.



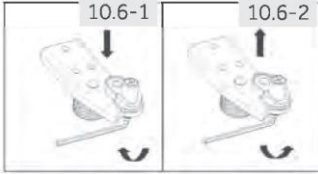


10.6

10.6 ضبط إعدادات الأبواب

إذا لم تكن الأبواب في مستوى واحد بعد تسوية الأبواب من القدمين، فيمكن معالجة عدم التطابق هذا عن طريق تدوير عمود الرفع المصلي في الزاوية السفلية اليمنى لباب الترييد باستخدام مفتاح ربط (الشكل 10.6)

- ◀ أدر عمود الرفع في اتجاه عقارب الساعة مع مفتاح ربط إلى ارتفاع الباب السفلي (الشكل 1-10.6).
- ◀ عمود الرفع مع مفتاح ربط لرفع ارتفاع الباب (الشكل 2-10.6).

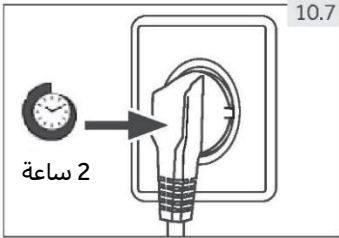


10.6-1

10.6-2

تحذير!

لا تقم بضبط عمود الرفع المصلي بشكل مفرط على ارتفاع قد يتسبب في ترك العمود في موضع القفل الأصلي. (نطاق ارتفاع قابل للتعديل: 3 مم)



10.7

10.7 أوقات الانتظار

يوجد زيت التشحيم الذي لا يحتاج إلى صيانة في كبسولة الضاغط. يمكن لهذا الزيت أن يمر عبر نظام الأنابيب المغلقة أثناء النقل المائل. قبل توصيل الجهاز بمصدر الطاقة، عليك الانتظار لمدة 2 ساعة على الأقل (الشكل 10.7) حتى يعود الزيت مرة أخرى إلى الكبسولة.

10.8 التوصيل الكهربائي

قبل كل توصيل، تحقق أن:

- ◀ إمدادات الطاقة والمآخذ والمنصهرات مناسبة للوحة التصنيف.
 - ◀ مقبس الطاقة مؤرض، ولا يوجد قابس متعدد أو وصلة تمديد.
 - ◀ قابس الطاقة والمقبس كما هو مطلوب بدقة.
- قم بتوصيل القابس بمقبس مثبت في المنزل بشكل صحيح.

تحذير!

لتجنب المخاطر، يجب استبدال كابل الطاقة التالف من خلال التواصل مع خدمة العملاء (انظر بطاقة الضمان).

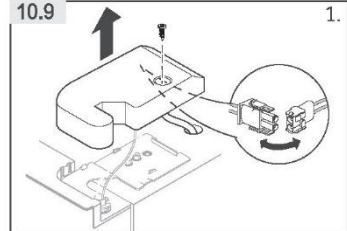
10 - التركيب

10.9 فك وتركيب الأبواب وتعليمات التركيب أدناه (شكل 10.9). في حال احتجت إلى إزالة أبواب الجهاز، يرجى اتباع تعليمات فك وتركيب الباب أدناه (الشكل 10.9)

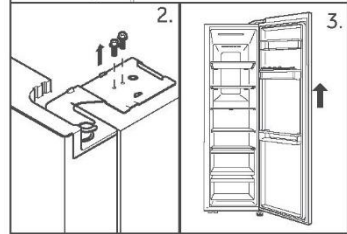
تحذير!

- ◀ قبل أى عملية، قم بإلغاء تنشيط الجهاز، وافصل قابس التيار الرئيسي عن مقبس التيار الرئيسي.
- ◀ هذا الجهاز ثقيل الوزن. يجب أن تم المناولة من قبل شخصين على الأقل دائمًا.
- ◀ لا تقم بإمالة الجهاز لأكثر من 45 درجة أو وضعه أفقيًا على الأرض

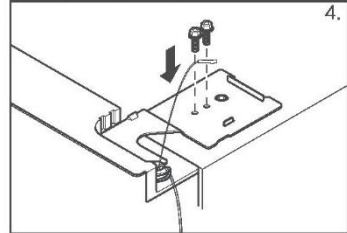
1. قم بفك برغي غطاء المفصلة وقم بإزالة الغطاء. حرر موصل الكابل.



2. قم بفك البراغي التي تثبت المفصلة العلوية في موضعها ثم قم بإزالة المفصلة.



3. ارفع باب حجرة الثلاجة لإزالته.



4. أعد تركيب الباب بعكس خطوات الإزالة. تأكد من أن كابل التبريد سيتم تثبيته بواسطة المسار اللولبي.



ملاحظة: باب الثلاجة



تظهر الصور إزالة باب حجرة الثلاجة. بالنسبة لباب الفريزر، يرجى استخدام الأجزاء المقابلة على الجانب الآخر

ملاحظة: للأجهزة القائمة بذاتها: جهاز التبريد هذا غير مخصص للاستخدام كجهاز مدمج



11.1 بطاقة المنتج وفقاً لللائحة التنظيمية (EC) رقم 2016/2019

Haier	العلامة التجارية
FISR3918FN*/EN*/EW*/FISR5918DN*/DW*	معرف الطراز
الثلاجة-الفرزير	الفئة حسب الطراز
F/E/E/D/D	فئة كفاءة الطاقة
256/258/317/317/399	استهلاك الطاقة السنوي (كيلوواط ساعة/سنة) ⁽¹⁾
330/337/330/337/337	مقدار التبريد (لتر)
191/191/191/191/191	مقدار التجميد (لتر)
	تصنيف النجوم
غير قابلة للتطبيق	درجة حرارة الحجرات الأخرى < 14 درجة مئوية
نعم	نظام خال من الجليد
7/7/7/7/5	وقت ارتفاع درجة الحرارة (بالساعة)
14/14/14/14/12	قدرة التجميد (كجم/24 ساعة)
SN-N-ST	الفئة المناخية هذا الجهاز مخصص للاستخدام في درجة حرارة محيطية تتراوح بين 10 درجات مئوية و38 درجة مئوية.
(38)C	انبعاثات الضوضاء الصوتية المحمولة جواً (db (A) re 1pW)
قائم بذاته	نوع التصنيع

بناءً على نتائج الاختبار القياسية لمدة 24 ساعة. سيعتمد الاستهلاك الفعلي للطاقة على كيفية استخدام الجهاز وموضعه.

11.2 بيانات فنية إضافية

220-240 فولت - / 50 هرتز	الجهد الكهربائي/التردد
200	مدخلات الطاقة (واط)
15	القدرة الأمبيرية للمنصر الرئيسي (أمبير)
R600a	سائل التبريد
647/908/1775	الأبعاد (الارتفاع × العرض × القطر بوحدة قياس المليمتر)

11.3 المعايير والتوجيهات UK و CE

يفي هذا المنتج بمتطلبات جميع توجيهات المفوضية الأوروبية المعمول بها مع المعايير المنسقة القابلة ومعايير المملكة المتحدة، والتي تنص على علامات CE وUKCA.

12 - خدمة العملاء

نوصي بالاستعانة بخدمة عملاء Haier واستخدام قطع الغيار الأصلية.
إذا كانت لديك مشكلة في جهازك، فيرجى التحقق أولاً من قسم استكشاف الأعطال وإصلاحها.

إذا لم تجد حلاً، فيرجى التواصل مع

◀ التاجر المحلي الخاص بك أو

◀ منطقة الخدمة والدعم على www.haier.com حيث يمكنك العثور على أرقام الهواتف والأسئلة الشائعة وحيث يمكنك تنشيط مطالبة الخدمة.

عند الاتصال بمركز الخدمة الخاص بنا، تأكد من توفر المعلومات التالية لديك.

توجد هذه البيانات على لوحة التصنيف.

الموديل _____ الرقم التسلسلي. _____

تحقق أيضًا من بطاقة الضمان المرفقة مع المنتج في حالة كان الجهاز داخل الضمان.

توافر قطع الغيار

تتوفر قطع الترموستات وأجهزة استشعار درجة الحرارة ولوحات الدوائر المطبوعة ومصادر الإضاءة لمدة سبع سنوات على الأقل بعد طرح آخر وحدة من الطراز في السوق. تتوفر مقابض الأبواب ومفصلات الأبواب والأدراج والسلال لمدة لا تقل عن سبع سنوات وحشيات الأبواب لمدة لا تقل عن 10 سنوات، بعد طرح آخر وحدة من الموديل في السوق.

الضمان

الحد الأدنى من الضمان هو: سنتان (2) لدول الاتحاد الأوروبي، 3 سنوات لتركيا، سنة واحدة للمملكة المتحدة، سنة واحدة لروسيا، 3 سنوات للسويد، سنتان (2) لصربيا، 5 سنوات للترويج، سنة واحدة للمغرب، 6 أشهر للجزائر، تونس بدون ضمان قانوني مطلوب.

لمزيد من المعلومات حول المنتج، يرجى الرجوع إلى <https://eprel.ec.europa.eu/> أو امسح رمز الاستجابة السريعة الموجود على ملصق الطاقة المرفق مع الجهاز

Haier



0060524101F