



Romo

EN

COMBI REFRIGERATOR
Freezer - Fridge
User manual

CZ

KOMBINOVANÁ CHLADNIČKA S MRAZNIČKOU
Návod k obsluze

SK

KOMBINOVANÁ CHLADNIČKA S MRAZNIČKOU
Návod na obsluhu

RCS2270W
RCS2270X

Index


BEFORE USING THE APPLIANCE	3
General warnings	3
Old and out-of-order fridges	7
Safety warnings	7
Installing and operating your fridge	8
Before using your fridge freezer	9
HOW TO OPERATE THE APPLIANCE	9
Information on Less Frost Technology	9
Thermostat setting	9
Warnings about temperature adjustments	10
Accessories	11
Ice tray	11
Plastic scraper	11
Bottle holder	11
Humidity Controller	11
FOOD STORAGE IN THE APPLIANCE	12
Refrigerator compartment	12
Freezer compartment	13
CLEANING AND MAINTENANCE	16
Defrosting	17
Replacing the Light bulb	18
TRANSPORTATION AND CHANGING OF INSTALLATION POSITION	18
Repositioning the door	18
BEFORE CALLING FOR AFTER SALES SERVICE	19
Tips for saving energy	20
PARTS OF THE APPLIANCE AND THE COMPARTMENTS	21


The operating instructions apply to several models. Differences may therefore occur.


PART - 1. BEFORE USING THE APPLIANCE


General warnings


This appliance is not intended to be used as a built-in appliance.


 **WARNING:** Keep ventilation openings, in the appliance enclosure or in the built-in structure, clear of obstruction.


 **WARNING:** Do not use mechanical devices or other means to accelerate the defrosting process, other than those recommended by the manufacturer.

 **WARNING:** Do not use electrical appliances inside the food storage compartments of the appliance, unless they are of the type recommended by the manufacturer.

 **WARNING:** Do not damage the refrigerant circuit.

 **WARNING:** In order to avoid any hazards resulting from the instability of the appliance, it must be fixed in accordance with the following instructions:

 **WARNING:** When positioning the appliance, ensure the supply cord is not trapped or damaged.

 **WARNING:** Do not locate multiple portable socket-outlets or portable power supplies at the rear of the appliance.



SYMBOL ISO 7010 W021

WARNING: Risk of fire / flammable materials

- If your appliance uses R600a as a refrigerant (this information will be provided on the label of the cooler) you should take care during transportation and installation to prevent the cooler elements from being damaged. R600a is an environmentally friendly and natural gas, but it is explosive. In the event of a leak due to damage of the cooler elements, move your fridge away from

open flames or heat sources and ventilate the room where the appliance is located for a few minutes.

- While carrying and positioning the fridge, do not damage the cooler gas circuit.
- Do not store explosive substances such as aerosol cans with a flammable propellant in this appliance.
- This appliance is intended to be used in household and domestic applications such as:
 - staff kitchen areas in shops, offices and other working environments.
 - farm houses and by clients in hotels, motels and other residential type environments.
 - bed and breakfast type environments;
 - catering and similar non-retail applications.
- If the socket does not match the refrigerator plug, it must be replaced by the manufacturer, a service agent or similarly qualified persons in order to avoid a hazard.
- A specially grounded plug has been connected to the power cable of your refrigerator. This plug should be used with a specially grounded socket of 16 amperes. If there is no such socket in your house, please have one installed by an authorised electrician.
- Children aged from 3 to 8 years are allowed to load and unload refrigerating appliances. Children are not expected to perform cleaning or user maintenance of the appliance, very young children (0-3 years old) are not expected to use appliances, young children (3-8 years old) are not expected to use appliances safely unless continuous supervision is given, older children (8-14 years old) and vulnerable people can

use appliances safely after they have been given appropriate supervision or instruction concerning use of the appliance. Very vulnerable people are not expected to use appliances safely unless continuous supervision is given.

- This appliance can be used by children aged from 8 years and above and persons with reduced physical, sensory or mental capabilities or lack of experience and knowledge if they have been given supervision or instruction concerning use of the appliance in a safe way and understand the hazards involved. Children shall not play with the appliance. Cleaning and user maintenance shall not be made by children without supervision.
- If the supply cord is damaged, it must be replaced by the manufacturer, an authorised service agent or similar qualified persons, in order to avoid a hazard.
- This appliance is not intended for use at altitudes exceeding 2000 m.

To avoid contamination of food, please respect the following instructions:

- Opening the door for long periods can cause a significant increase of the temperature in the compartments of the appliance.
- Clean regularly surfaces that can come in contact with food and accessible drainage systems.
- Store raw meat and fish in suitable containers in the refrigerator, so that it is not in contact with or drip onto other food.
- Two-star frozen-food compartments are suitable for storing pre-frozen food, storing or making ice cream and making ice cubes.
- One-, two- and three-star compartments are not suitable for the freezing of fresh food.
- If the refrigerating appliance is left empty for long periods, switch off, defrost, clean, dry, and leave the door open to prevent mould developing within the appliance.

Old and out-of-order fridges

- If your old fridge has a lock, break or remove the lock before discarding it, because children may get trapped inside it and may cause an accident.
- Old fridges and freezers may contain isolation material and refrigerant with CFC or HFC.



Therefore, take care not to harm environment when you are discarding your old fridges.

Please ask your municipal authority about the disposal of the WEEE reuse, recycle and recovery purposes.

Notes:

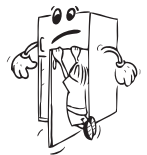
- Please read the instruction manual carefully before installing and using your appliance.
We are not responsible for the damage occurred due to misuse.
- Follow all instructions on your appliance and instruction manual, and keep this manual in a safe place to resolve the problems that may occur in the future.
- This appliance is produced to be used in homes and it can only be used in domestic environments and for the specified purposes. It is not suitable for commercial or common use. Such use will cause the guarantee of the appliance to be cancelled and our company will not be responsible for losses incurred.
- This appliance is produced to be used in houses and it is only suitable for cooling / storing food. It is not suitable for commercial or common use and/or for storing substances except for food. Our company is not responsible for losses to be incurred in the contrary case.

Safety warnings

- Do not connect your fridge freezer to the mains electricity supply using an extension lead.
- Do not plug in damaged, torn or old plugs.
- Do not pull, bend or damage the cord.



- This appliance is designed for use by adults, do not allow children to play with the appliance or let them hang off the door.
- Never touch the power cord/plug with wet hands as this could cause a short circuit or electric shock.
- Do not place glass bottles or beverage cans in the ice-making compartment as they can burst as the contents freeze.
- Do not place explosive or flammable material in your fridge. Place drinks with high alcohol content vertically in the fridge compartment and make sure that their tops are tightly closed.



- When removing ice from the ice-making compartment, do not touch it. Ice may cause frost burns and/or cuts.



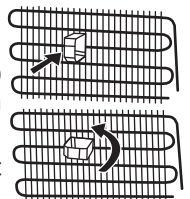
- Do not touch frozen goods with wet hands! Do not eat ice-cream and ice cubes immediately after you have taken them out of the freezer department!

- Do not touch frozen goods with wet hands. Do not eat ice-cream or ice cubes immediately after you have taken them out of the ice-making compartment.
- Do not cover the body or top of fridge with lace. This affects the performance of your fridge.
- Secure any accessories in the fridge during transportation to prevent damage to the accessories.
- Do not use plug adapter.

Installing and operating your fridge

Before starting to use your fridge freezer, you should pay attention to the following points:

- The operating voltage for your fridge is 220-240 V at 50Hz.
- The plug must be accessible after installation.
- Your fridge freezer may have a smell when it is operated for the first time. This is normal and the smell will fade away when your fridge freezer starts to cool.
- Before connecting your fridge freezer, ensure that the information on the data plate (voltage and connected load) matches that of the mains electricity supply. If in doubt, consult a qualified electrician.
- Insert the plug into a socket with an efficient ground connection. If the socket has no ground contact or the plug does not match, we recommend that you consult a qualified electrician for assistance.
- The appliance must be connected with a properly installed fused socket. Power supply (AC) and voltage at the operating point must match with the details on the name plate of the appliance (name plate is located on the inside left of the appliance).
- We do not accept responsibility for any damages that occur due to ungrounded usage.
- Place your fridge where it will not be exposed to direct sunlight.
- Your fridge should never be used outdoors or exposed to rain.
- Your appliance should be at least 50 cm away from stoves, gas ovens and heater cores, and at least 5 cm away from electrical ovens.
- When your fridge is placed next to a deep freezer, there should be at least 2 cm between them to prevent humidity forming on the outer surface.
- Do not place heavy items on the appliance.
- Clean the appliance thoroughly, especially the interior, before use (see Cleaning and Maintenance).
- The installation procedure into the kitchen unit is given in the installation manual. This product is intended to be used in proper kitchen units only.
- Before using your fridge freezer, wipe all parts with a solution of warm water and a teaspoon of sodium bicarbonate, then rinse with clean water and dry. Place all parts in the fridge after cleaning.
- Install the plastic distance guide (the part with black vanes at the rear) by turning it 90° (as shown in the figure) to prevent the condenser from touching the wall.
- The refrigerator should be placed against a wall with a free space not exceeding 75 mm.



Before using your fridge freezer



- When using your fridge freezer for the first time, or after transportation, keep it in an upright position for at least 3 hours before plugging into the mains. This allows efficient operation and prevents damage to the compressor.
- Your fridge freezer may have a smell when it is operated for the first time. This is normal and the smell will fade away when your fridge starts to cool.

General notes:

Fresh Food Compartment (Fridge): Most efficient use of energy is ensured in the configuration with the drawers in the bottom part of the appliance, and shelves evenly distributed, position of door bins does not affect energy consumption.

Freezer Compartment (Freezer): Most Efficient use of energy is ensured in the configuration with the drawers and bins are on stock position.

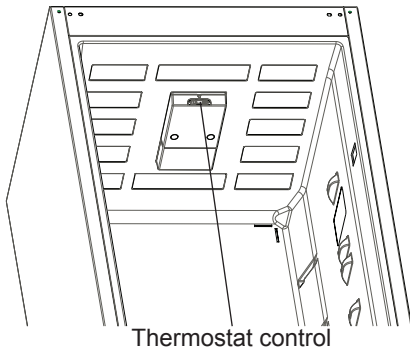
PART - 2. HOW TO OPERATE THE APPLIANCE

Information on Less Frost Technology

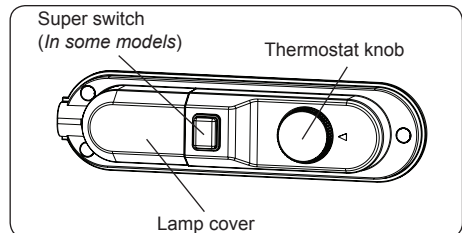
Thanks to the wrap around evaporator, LessFrost technology offers more efficient cooling, less manual defrost requirement, and more flexible storage room.

Thermostat setting

When lighting and thermostat are positioned on top



When lighting and thermostat are positioned on side



The fridge freezer thermostat automatically regulates the inside temperature of the compartments. By rotating the knob from position 1 to 5, colder temperatures can be obtained.

Important note: Do not try to rotate knob beyond 1 position it will stop your appliance.

1 – 2 : For short-term storage of food in the freezer compartment, you can set the knob between the minimum and medium position.

3 – 4 : For long-term storage of food in the freezer compartment, you can set the knob to the medium position.

5 : For freezing fresh food. The appliance will work for longer. So, after the desired condition is reached, return the knob to the previous setting.

Super freezing: This switch shall be used as superfreeze switch. For maximum freezing capacity, please turn on this switch before 24 hours placing fresh food. After placing fresh food in the freezer, 24 hours ON position is generally sufficient. In order to save energy, please turn off this switch after 24 hours from placing fresh food.

Winter Switch: If ambient temperature is below 16 °C, this switch shall be used as winter switch and it keeps your fridge above 0 °C while freezer is below -18 °C in low ambients.

Warnings about temperature adjustments

- It is not recommended that you operate your fridge in environments colder than 10°C in terms of its efficiency.
- Temperature adjustments should be made according to the frequency of door openings and the quantity of food kept inside the fridge.
- Your fridge should be operated up to 24 hours according to the ambient temperature without interruption after being plugged in to be completely cooled. Do not open doors of your fridge frequently and do not place much food inside it in this period.
- A 5 minute delaying function is applied to prevent damage to the compressor of your fridge, when you take the plug out and then plug it in again to operate it or when an energy breakdown occurs. Your fridge will start to operate normally after 5 minutes.
- Your fridge is designed to operate in the ambient temperature intervals stated in the standards, according to the climate class stated in the information label. We do not recommend operating your fridge out of stated temperatures value limits in terms of cooling effectiveness.

Climate class and meaning:

- **T (tropical):** This refrigerating appliance is intended to be used at ambient temperatures ranging from 16 °C to 43 °C.
- **ST (subtropical):** This refrigerating appliance is intended to be used at ambient temperatures ranging from 16 °C to 38 °C.
- **N (temperate):** This refrigerating appliance is intended to be used at ambient temperatures ranging from 16 °C to 32 °C.
- **SN (extended temperate):** This refrigerating appliance is intended to be used at ambient temperatures ranging from 10 °C to 32 °C.

Accessories

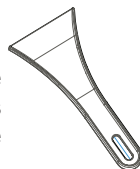
Ice tray

- Fill the ice tray with water and place in freezer compartment.
- After the water completely turned into ice, you can twist the tray as shown below to get the ice cube.



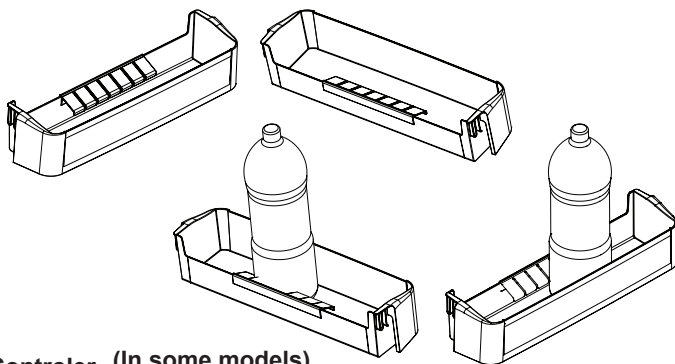
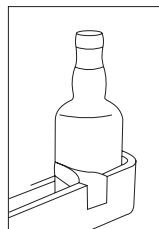
Plastic scraper

After a period of time frost will build up in certain areas in the freezer compartment. The frost accumulated in the freezer should be removed periodically. Use the plastic scraper provided if necessary. Do not use sharp metal objects for this operation. They could puncture the refrigerator circuit and cause irreparable damage to the unit.



Bottle holder (Only some models)

In order to prevent bottles from slipping or falling over, you can use the bottle holder. This will also help to prevent the noise made by bottles when opening or closing the door.

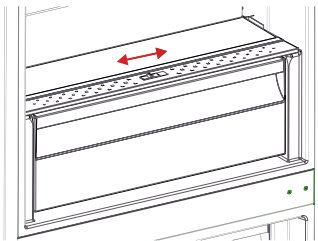


Humidity Controller (In some models)

When the humidity controller is in the closed position, it allows fresh fruit and vegetables to be stored longer.

In case of the crisper is totally full, the fresh dial is located in front of crisper, should be opened. By means of this the air in the crisper and humidity rate will be controlled and endurance life will be increased.

If you see any condensation on glass shelf, humidity control should be taken into the open positions.



All written and visual descriptions in the accessories may vary according to the appliance model.

PART - 3. FOOD STORAGE IN THE APPLIANCE

Refrigerator compartment

The refrigerator compartment is used for storing fresh food for a few days.

- Do not place food in direct contact with the rear wall of the refrigerator compartment. Leave some space around food to allow circulation of air.
- Do not place hot food or evaporating liquid in the refrigerator.
- Always store food in closed containers or wrapped.
- To reduce humidity and avoid formation of frost, never place liquids in unsealed containers in the refrigerator.
- Meat of all types, wrapped in packages, is recommended to be placed on the glass shelf just above the vegetable bin, where the air is colder.
- You can put fruit and vegetables into the crisper without packaging.
- To avoid cold air escaping, try not to open the door too often, and not leave the door open for a long time.

Some recommendations have been specified below for the placement and storage of your food in the cooling compartment.

Food	Maximum Storing time	Where to place in the fridge department
Vegetables and fruits	1 week	Vegetable bin
Meat and fish	2 - 3 Days	Wrapped in plastic foil or bags or in a meat container (on the glass shelf)
Fresh cheese	3 - 4 Days	In special door shelf
Butter and margarine	1 week	In special door shelf
Bottled products milk and yoghurt	Until the expiry date recommended by the producer	In special door shelf
Eggs	1 month	In the egg shelf
Cooked food		All shelves

NOTE: Potatoes, onions and garlic should not be stored in the refrigerator.

- For normal working conditions, it will be sufficient to adjust the temperature setting of your refrigerator to +4 °C.
- The temperature of the fridge compartment should be in the range of 0-8 °C, fresh foods below 0 °C are iced and rotted, bacterial load increases above 8 °C, and spoils.
- Do not put hot food in the refrigerator immediately, wait for the temperature to pass outside. Hot foods increase the degree of your refrigerator and cause food poisoning and unnecessary spoiling of the food.
- Meat, fish, etc. should be store in the chiller compartment of the food, and the vegetable compartment is preferred for vegetables. (if available)
- To prevent cross contamination, meat products and fruit vegetables are not stored together.

- Foods should be placed in the refrigerator in closed containers or covered to prevent moisture and odors.

Freezer compartment

The freezer compartment is used for freezing fresh food and for storing frozen food for the period of time indicated on packaging, and for making ice cubes.

- When freezing fresh food, wrap and seal the food properly; the packaging should be air tight and shouldn't leak. Special freezer bags, aluminum foil (heavy grade, if in doubt double wrap), polythene bags and plastic containers are ideal.
- To get maximum capacity for freezer compartment, please just use glass shelves for upper and middle section. For bottom section, please use lower basket.
- The maximum amount of fresh foods that can be loaded in the freezer within 24 hours is indicated on the name plate (see Freezing Capacity).
- Do not allow the fresh food to be frozen to come into contact with the already frozen food.
- Always mark the date and the content on the pack and do not exceed the stated storage time.
- In case of a power failure or malfunction, the freezer compartment will maintain a sufficiently low temperature for food storage. However, avoid opening the freezer door to slow down the temperature rise within the freezer compartment.
- Never place warm food in the freezer compartment.
- When purchasing and storing frozen food products, ensure that the packaging is not damaged.
- The storage time and the recommended temperature for storing frozen food is indicated on the packaging. For storing and using, follow the manufacturer's instructions. If no information is provided, food should not be stored for more than 3 months.
- Place frozen food in the freezer compartment as soon as possible after buying it.
- Once the food has thawed, it must not be refrozen; you must cook it as quickly as possible in order to consume or to freeze once again.
- Not that; if you want to open again immediately after closing the freezer door, it will not be opened easily. It's quite normal! After reaching equilibrium condition, the door will be opened easily.

Important note:

- Frozen foods, when thawed, should be cooked just like fresh foods. If they are not cooked after being thawed they must NEVER be re-frozen.
- The taste of some spices found in cooked dishes (anise, basilica, watercress, vinegar, assorted spices, ginger, garlic, onion, mustard, thyme, marjoram, black pepper, etc.) changes and they assume a strong taste when they are stored for a long period. Therefore, the frozen food should be added little amount of spices or the desired spice should be added after the food has been thawed.
- The storage period of food is dependent on the oil used. The suitable oils are margarine, calf fat, olive oil and butter and the unsuitable oils are peanut oil and pig fat.
- The food in liquid form should be frozen in plastic cups and the other food should be frozen in plastic folios or bags.

Meat and fish	Preparation	Maximum Storing time (month)
Steak	Wrapping in a foil	6 - 8
Lamb meat	Wrapping in a foil	6 - 8
Veal roast	Wrapping in a foil	6 - 8
Veal cubes	In small pieces	6 - 8
Lamb cubes	In pieces	4 - 8
Minced meat	In packages without using spices	1 - 3
Giblets (pieces)	In pieces	1 - 3
Bologna sausage/salami	Should be packaged even if it has membrane	
Chicken and turkey	Wrapping in a foil	4 - 6
Goose and Duck	Wrapping in a foil	4 - 6
Deer, Rabbit, Wild Boar	In 2.5 kg portions and as fillets	6 - 8
Freshwater fishes (Salmon, Carp, Crane, Siluroidea)	After cleaning the bowels and scales of the fish, wash and dry it; and if necessary, cut the tail and head.	2
Lean fish; bass, turbot, flounder		4
Fatty fishes (Tunny, Mackarel, bluefish, anchovy)		2 - 4
Shellfish	Cleaned and in bags	4 - 6
Caviar	In its package, aluminium or plastic container	2 - 3
Snail	In salty water, aluminum or plastic container	3

Note: *Frozen meat should be cooked as fresh meat after being thawed. If the meat is not cooked after being thawed, it should never be frozen again.*

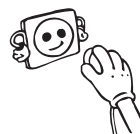
Vegetables and Fruits	Preparation	Maximum Storing time (months)
String beans and beans	Wash and cut to small pieces and boil in water	10 - 13
Beans	Hull and wash and boil in water	12
Cabbage	Cleaned and boil in water	6 - 8
Carrot	Clean and cut to slices and boil in water	12
Pepper	Cut the stem, cut into two pieces and remove the core and boil in water	8 - 10
Spinach	Washed and boil in water	6 - 9
Cauliflower	Take the leaves apart, cut the heart into pieces, and leave it in water with a little lemon juice for a while	10 - 12
Eggplant	Cut to pieces of 2cm after washing	10 - 12
Corn	Clean and pack with its stem or as sweet corn	12
Apple and pear	Peel and slice	8 - 10
Apricot and Peach	Cut into two pieces and remove the stone	4 - 6
Strawberry and Blackberry	Wash and hull	8 - 12
Cooked fruits	Adding 10 % of sugar in the container	12
Plum, cherry, sourberry	Wash and hull the stems	8 - 12

Dairy Products	Preparation	Maximum Storing time (months)	Storing Conditions
Packet (Homogenize) Milk	In its own packet	2 - 3	Pure Milk – In its own packet
Cheese-excluding white cheese	In slices	6 - 8	Original package may be used for short storing period. It should be wrapped in foil for longer periods.
Butter, margarine	In its package	6	

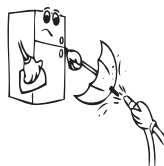
	Maximum Storing time (months)	Thawing time in room temperature (hours)	Thawing time in oven (minutes)
Bread	4 - 6	2 - 3	4-5 (220-225 °C)
Biscuits	3 - 6	1 - 1,5	5-8 (190-200 °C)
Pastry	1 - 3	2 - 3	5-10 (200-225 °C)
Pie	1 - 1,5	3 - 4	5-8 (190-200 °C)
Phyllo dough	2 - 3	1 - 1,5	5-8 (190-200 °C)
Pizza	2 - 3	2 - 4	15-20 (200 °C)

PART - 4. CLEANING AND MAINTENANCE

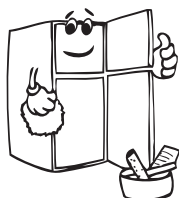
- Disconnect the unit from the power supply before cleaning.



- Do not clean the appliance by pouring water.



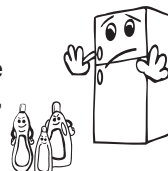
- Make sure that no water enters the lamp housing and other electrical components.
- The refrigerator should be cleaned periodically using a solution of bicarbonate of soda and lukewarm water.



- Clean the accessories separately with soap and water. Do not clean them in the dishwasher.



- Do not use abrasive products, detergents or soaps. After washing, rinse with clean water and dry carefully. When you have finished cleaning, reconnect the plug to the mains supply with dry hands.



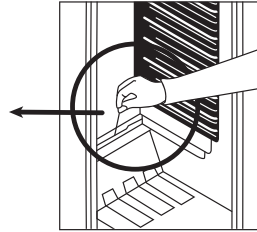
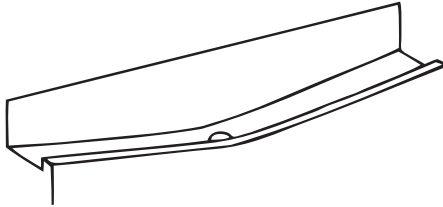
- Clean the condenser with a broom at least twice a year. This will help you to save on energy costs and increase productivity.



THE POWER SUPPLY MUST BE DISCONNECTED.

Defrosting

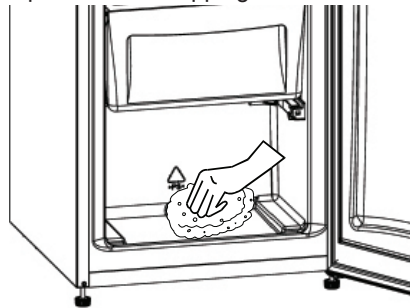
Defrosting the Refrigerator Compartment



- Defrosting occurs automatically in the refrigerator compartment during operation; the water is collected by the evaporation tray and evaporates automatically.
- The evaporation tray and the water drain hole should be cleaned periodically with the defrost drain plug to prevent the water from collecting at the bottom of the refrigerator instead of flowing out.
- You can also clean the drain hole by pouring $\frac{1}{2}$ glass of water down it.

Defrosting the Freezer Compartment

- The frost, which covers the shelves of the freezer compartment, should be removed periodically.
- Do not use sharp metal objects for this operation. They could puncture the refrigerant circuit and cause irreparable damage to the unit. Use the plastic scraper provided.
- When there is more than 5 mm of frost on the shelves, defrosting must be carried out.
- Before defrosting, place the frozen food in a cool place after wrapping it in sheets of newspaper (this will help the food to maintain its temperature for longer).
- To accelerate the defrosting process, place one or more bowls of warm water in the freezer compartment.
- Dry the inside of the compartment with a sponge or a clean cloth.
- Once the unit has been defrosted, place the food into freezer and remember to consume it in a short period of time.

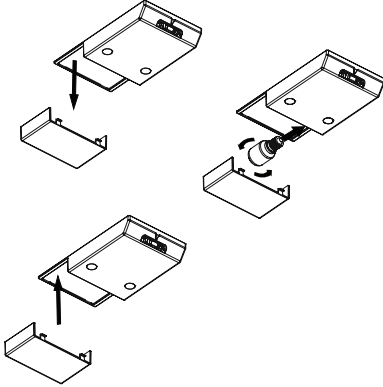


Replacing the Light bulb

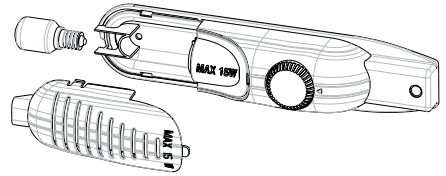
When replacing the bulb of the refrigerator compartment;

1. Unplug the unit from the power supply,
2. Press the hooks on the sides of the light cover top and remove the light cover
3. Change the present light bulb with a new one of not more than 15 W.
4. Replace the light cover and after waiting 5 minutes plug the unit.

When lighting and thermostat are positioned on top



When lighting and thermostat are positioned on side



Replacing LED lighting

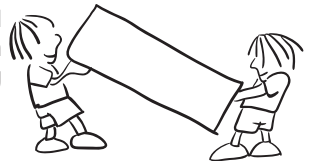
If your refrigerator has LED lighting contact the help desk as this should be changed by authorized personnel only.

PART - 5. TRANSPORTATION AND CHANGING OF INSTALLATION POSITION

Transportation and Changing of Installation Position

- The original packages and foamed polystyrene (PS) can be retained if required.
- During transportation, the appliance should be secured with a wide string or a strong rope. The instructions written on the corrugated box must be followed while transporting.
- Before transporting or changing the installation position, all the moving objects (ie,shelves,crisper...) should be taken out or fixed with bands in order to prevent them from getting damaged.

! Carry your fridge in the upright position.



Repositioning the door

- It is not possible to change the opening direction of your refrigerator door, if the door handles on your refrigerator are installed from the front surface of the door.
- It is possible to change the opening direction of the door on models without any handles.
- If the door opening direction of your refrigerator may be changed, you should contact the nearest authorised service agent to have the opening direction changed.

PART - 6. BEFORE CALLING FOR AFTER SALES SERVICE

If your refrigerator is not working properly, it may be a minor problem, therefore check the following.

The appliance does not operate,

Check if;

- There is no power,
- The general switch in your home is disconnected,
- The socket is not faulty. To check this, plug the appliance in to another socket which you know is working.

What to do if your appliance performs poorly

Check that:

- You have overloaded the appliance,
- The thermostat setting is on position “1” (if so set the thermostat dial to a suitable value).
- The doors are closed properly,
- There is no dust on the condenser,
- There is enough space at the rear and side walls.

If your fridge is operating too loudly

Normal Noises

Compressor noise

- Normal motor noise: This noise means that the compressor operates normally
- Compressor may cause more noise for a short time when it starts.

Bubbling noise and splash:

- This noise is caused by the flow of the refrigerant in the tubes of the system.
- If you hear any other noises check that:
 - The appliance is level
 - Nothing is touching the rear of the appliance
 - The objects on the appliance are vibrating.

If there is water in the lower part of the refrigerator;

Check if;

The drain hole for defrost water is not clogged (use defrost drain plug to clean the drain hole).

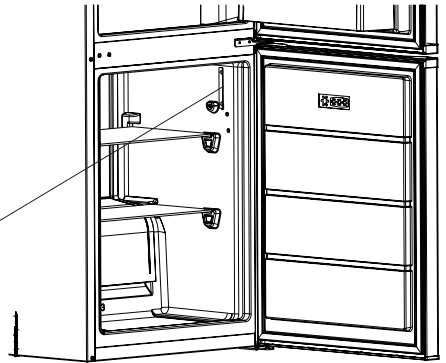
Important notes:

- In case of a sudden power loss or disconnecting and reconnecting of the plug to the electrical socket, the compressor protective thermal element will be opened as the pressure of the gas in the cooling system of your refrigerator has not yet been balanced. 4 or 5 minutes later, your refrigerator will start to operate; this is normal.
- If you won't be using your refrigerator for a long time (such as on summer holidays), please disconnect the plug from the socket. Clean your refrigerator as per Part 4 of this document and leave the door open to prevent any humidification or odor formation.
- If there is still a problem with your refrigerator although you have followed the instructions in this book, please consult your nearest authorized service center.

- The lifetime of your appliance is stated and declared by the Department of Industry. The length of time for retaining parts required for the proper operation of the appliance is 10 years.

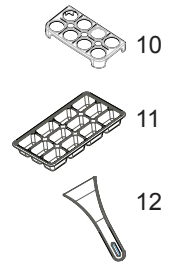
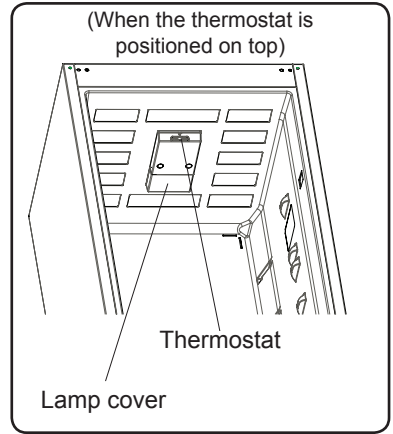
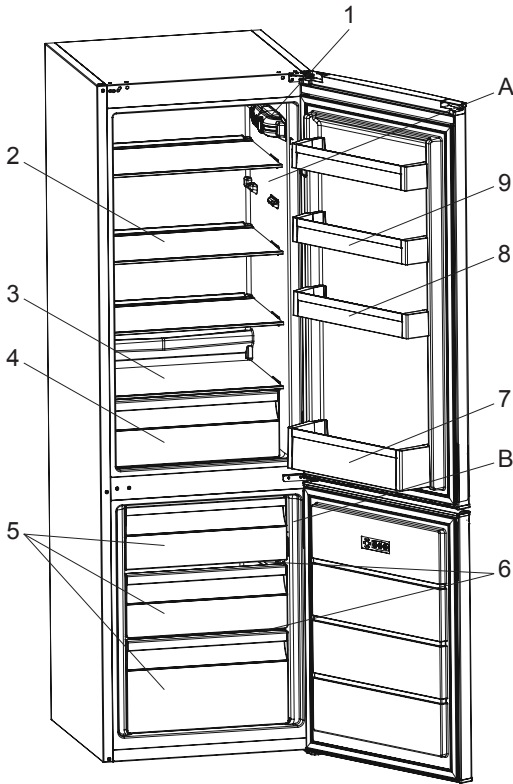
Tips for saving energy

1. Install the appliance in a cool, well ventilated room , but not in direct sunlight and not near a heat source (radiator, cooker.. etc). Otherwise use an insulating plate.
2. Allow warm food and drinks to cool down outside the appliance.
3. When thawing frozen food, place it in the refrigerator compartment. The low temperature of the frozen food will help to cool the refrigerator compartment when it is thawing. This will help to save energy. If the frozen food is put out, it results in a waste of energy.
4. Cover drinks or other liquids when placing them in the appliance Otherwise humidity increases in the appliance. Therefore, the working time gets longer. Also covering drinks and other liquids helps to preserve smell and taste.
5. Try to avoid keeping the doors open for long periods or opening the doors too frequently as warm air will enter the cabinet and cause the compressor to switch on unnecessarily often.
6. Keep the covers of the different temperature compartments (crisper, chiller ...etc) closed
7. Door gasket must be clean and pliable. Replace gaskets if worn.
8. Energy consumption of your appliance is declared without drawers and fully loaded in freezer compartment.
9. For saving energy, do not use volume between the load limit and the door, along the load limit line. Load limit line is also used in energy consumption declaration.



Load limit line label

PART - 7. PARTS OF THE APPLIANCE AND THE COMPARTMENTS



This presentation is only for information about the parts of the appliance.
Parts may vary according to the appliance model.

- A) Fridge compartment
- B) Freezer compartment

- 1) Thermostat box (When the thermostat is positioned on side)
- 2) Fridge compartment shelves
- 3) Crisper cover
- 4) Crisper
- 5) Freezer drawers
- 6) Freezer glass shelves *
- 7) Bottle shelf
- 8) Adjustable door shelf *
- 9) Door shelves
- 10) Egg holder
- 11) Ice box tray
- 12) Ice scraper*

Obsah

PŘED POUŽITÍM SPOTŘEBIČE	23
Vysloužilé a nefunkční chladničky	26
Varování	26
Instalace a provoz Vaší chladničky	27
Než uvedete chladničku do provozu, věnujte pozornost následujícím bodům:27	
Před použitím Vaší chladničky	27
Nastavení termostatu	28
Informace o technologii Less Frost	28
Varování ohledně nastavení teploty	29
Příslušenství	29
Forma na led	29
Stojan na láhve	30
Nastavitelná polička ve dvířkách	30
ROZMÍSTĚNÍ POTRAVIN VE SPOTŘEBIČI	31
Chladicí prostor	31
Mrazicí prostor	32
ČIŠTĚNÍ A ÚDRŽBA	36
Odmrazování chladicího prostoru	37
Odmrazování mrazicího prostoru	37
Výměna žárovky osvětlení v chladicím prostoru	38
PŘEPRAVA A ZMĚNA MÍSTA INSTALACE	38
Změna otevírání dvířek	38
NEŽ KONTAKTUJETE ZÁKAZNICKÝ SERVIS	39
Tipy pro úsporu energie	40
ČÁSTI A ODDÍLY SPOTŘEBIČE	41





POŽÁR

Varování: Riziko požáru / hořlavých materiálů


ČÁST -1. PŘED POUŽITÍM SPOTŘEBIČE


Tento spotřebič není určen k použití jako vestavěné zařízení.


 **VAROVÁNÍ:** Větrací otvory chladničky-mrazničky udržujte nezakryté.


 **VAROVÁNÍ:** K urychlení procesu odmrazování nepoužívejte mechanická zařízení nebo jiné prostředky na urychlení procesu.


 **VAROVÁNÍ:** V chladničce-mrazničce nepoužívejte jiné elektrické spotřebiče.

 **VAROVÁNÍ:** Nepoškodte chladicí okruh.

 **VAROVÁNÍ:** Když umistíte spotřebič, ujistěte se, že není elektrický kabel zauzlovaný nebo poškozený.

 **VAROVÁNÍ:** Neumistujte žádné vícenásobné rozbočovací zásuvky ani přenosné zdroje napájení na zadní část spotřebiče.

 **VAROVÁNÍ:** Aby nedošlo k zranění osob nebo poškození tohoto spotřebiče, je třeba instalaci provést v souladu s pokyny výrobce.

 Malé množství chladiva použitého v této chladničce-mrazničce je přípravek šetrný k životnímu prostředí R600a (isobuten), je hořlavý a výbušný v případě, že se zapálí v uzavřených podmínkách.

- Během přenášení a umisťování chladničky dejte pozor, abyste nepoškodili chladicí okruh plynu.
- V blízkosti chladničky-mrazničky neskladujte žádné nádoby s hořlavými materiály, např. plechovky se sprejem nebo náplně do hasicích přístrojů.
- Tento spotřebič je určený k použití v domácnosti a podobných zařízeních, např.;

- kuchyňky pro zaměstnance v obchodech, kancelářích a ostatních pracovních prostředích
- pro klienty v hotelech, motelech a ostatních obytných prostorech
- hostinských pokojích;
- pro catering a ostatní podobná prostředí
- Vaše chladnička-mraznička vyžaduje napájení 220-240 V, 50 Hz. Nepoužívejte žádné jiné napájení. Než chladničku-mrazničku zapojíte, zkontrolujte, zda údaje na datovém štítku (napětí a příkon) odpovídají napájení ze sítě. V případě pochybností kontaktujte kvalifikovaného elektrikáře.
- Tento spotřebič mohou používat děti starší 8 let a osoby s omezenými tělesnými, smyslovými nebo mentálními schopnostmi anebo osoby bez příslušných znalostí a zkušeností, pokud jsou pod dozorem nebo byly poučeny o bezpečném užívání tohoto přístroje a chápou související nebezpečí. Děti si se zařízením nesmí hrát. Čištění a údržba nesmí být prováděny dětmi bez dohledu dospělé osoby.
- Děti ve věku od 3 do 8 let smí nakládat a vykládat chladicí spotřebiče. Děti nemají provádět údržbu nebo čištění spotřebiče, velmi malé děti (0 – 3 let) nemají používat spotřebič, malé děti (3 – 8 let) nemají používat spotřebič, pokud jsou bez stálého dozoru, starší děti (8 – 14 let) a lidé s omezenými fyzickými nebo duševními schopnostmi mohou používat spotřebiče bezpečně, pokud jsou pod dozorem nebo byli o bezpečném použití spotřebiče náležitě instruováni. Lidé s velice omezenými schopnostmi nemají používat spotřebič, dokud nejsou pod stálým dozorem.
- Poškozený napájecí kabel/zástrčka může způsobit požár nebo zásah elektrickým proudem. V případě poškození je třeba provést výměnu, tu smí provést pouze kvalifikovaný

zaměstnanci.

- Tento spotřebič není určen k použití v nadmořských výškách nad 2000 m.

Aby nedošlo ke kontaminaci jídla, dodržujte prosím následující pokyny:

- Ponechání dvířek v otevřeném stavu po dlouhou dobu může způsobit výrazný nárůst teploty uvnitř oddělení spotřebiče.
- Pravidelně očišťujte povrchy, které přichází do kontaktu s jídlem, a také přístupné odtokové systémy.
- Syrové maso a ryby uchovávejte v chladničce ve vhodných kontejnerech, aby nedocházelo k jejich kontaktu s jinými potravinami nebo ukápnutí na ně.
- Oddělení pro mražené potraviny označená dvěma hvězdičkami jsou vhodná pro uchovávání předem zmražených potravin, uchovávání nebo výrobu zmrzliny a výrobu ledových kostek.
- Oddělení označená jednou, dvěma nebo třemi hvězdičkami nejsou vhodná pro zmrazení čerstvého jídla.
- Pokud chladič je ponecháno prázdné po dlouhou dobu, je nutné ho vypnout, rozmrazit, očistit, osušit a ponechat dvířka otevřená, abyste zabránili tvorbě plísní uvnitř spotřebiče.

Vysloužilé a nefunkční chladničky

- Pokud je Vaše stará chladnička vybavena zámekem, zničte ho nebo demontujte. V opačném případě by se uvnitř mohly zamknout děti a mohlo by tak dojít k nehodě.
- Vysloužilé chladničky a mrazničky obsahují izolační materiál a chladivo s CFC. Buďte proto při odstraňování vysloužilého spotřebiče opatrní, aby nedošlo ke kontaminaci životního prostředí.



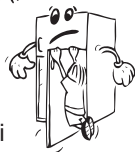
Informace týkající se likvidace elektrického a elektronického odpadu (WEEE), jeho recyklace a opětovného využití Vám podá místní správa.

Poznámky:

- Před instalací a používáním Vašeho spotřebiče si důkladně přečtěte návod. Neneseme odpovědnost za poškození způsobená nesprávným používáním.
- Dodržujte všechny pokyny uvedené na výrobním štítku spotřebiče a v návodu k obsluze. Uchovejte návod k obsluze na bezpečném místě pro případné použití v budoucnu.
- Spotřebič je určen pouze k použití v domácnosti a lze ho využívat pouze v domácím prostředí a pro určité účely. Není určen ke komerčnímu nebo obecnému využití. Takové použití vede ke ztrátě záruky a naše firma neodpovídá za ztráty vzniklé v důsledku takového použití.
- Spotřebič je určen pouze k použití v domácnosti a je vhodný pouze pro skladování/chlazení potravin. Není určen ke komerčnímu nebo obecnému využití a/nebo skladování jiných látek, než jsou potraviny. Naše firma neneseme odpovědnost za ztráty vzniklé v důsledku použití spotřebiče v rozporu s pokyny uvedenými v tomto návodu k obsluze.

Varování

- Je zakázáno používat rozdvojky nebo prodlužovací kabely.
- Nezapojujte spotřebič do poškozených nebo starých zásuvek.
- Netahejte za kabel, neohýbejte ho ani nepoškozujte.
- Neopoužívejte zásuvkové vícenásobné zásuvky.



- Spotřebič byl navržen pro použití dospělými osobami. Nedovolte, aby si děti hrály se spotřebičem nebo se zavěšovaly na jeho dvířka.
- Je zakázáno manipulovat se zástrčkou a zásuvkou mokřými rukama - hrozí nebezpečí úrazu elektrickým proudem!
- Je zakázáno vkládat do mrazicího prostoru skleněné láhve nebo plechovky s nápoji. Láhve nebo plechovky mohou explodovat.
- V zájmu vlastní bezpečnosti nekládejte do spotřebiče výbušné nebo hořlavé materiály. Nápoje s vyšším obsahem alkoholu musí být skladovány v chladicím prostoru v uzavřených láhvích ve vertikální poloze.
- Nedotýkejte se ledových kostek vyjmutých ze spotřebiče holými rukama, neboť by mohlo dojít k popáleninám způsobeným mrazem a/nebo k poranění kůže.



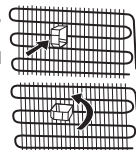
- Nedotýkejte se mražených potravin mokřými rukama! Nekonzumujte zmrzlinu a zmrzlinové poháry ihned po jejich vyjmutí z mrazicího prostoru!

- Již rozmrazené potraviny nelze opětovně zmrazit, neboť by mohlo dojít k otravě jídlem.
- Je zakázáno zakrývat korpus nebo horní plochu ledničky dečkami, ubrusy atd. Může to mít nepříznivý vliv na provoz spotřebiče.
- Během přepravy upevněte příslušenství uvnitř spotřebiče, aby nedošlo k jeho poškození.

Instalace a provoz Vaší chladničky

Než uvedete chladničku do provozu, věnujte pozornost následujícím bodům:

- Pracovní napětí ledničky činí 220-240 V při 50 Hz.
- Neneseme odpovědnost za poškození vzniklá v důsledku absence uzemnění.
- Chladničku je třeba umístit v místě, které není vystaveno přímému působení slunečních paprsků.
- Spotřebič je třeba umístit ve vzdálenosti minimálně 50 cm od kamen, plynových sporáků a topných těles a ve vzdálenosti minimálně 5 cm od elektrických sporáků.
- Spotřebič nesmí být používán v exteriéru a nesmí být vystaven vlivům počasí.
- Pokud je chladnička umístěna v blízkosti pultové nebo zásuvkové mrazničky, pak je třeba mezi nimi ponechat mezeru minimálně 2 cm, aby nedocházelo k tvorbě kondenzátu na vnějších plochách.
- Je zakázáno pokládat na chladničku jakékoliv předměty. Chladnička musí být umístěna tak, aby byl zajištěn odstup alespoň 15 cm od horní části chladničky a případné skříňky nacházející se nad chladničkou.
- Ke stabilizaci chladničky slouží nastavitelné přední nožičky. Nastavení jejich výšky se provádí otáčením ve směru nebo proti směru pohybu hodinových ručiček. Nastavení je třeba provést ještě před umístěním potravin v do chladničky.
- Před použitím chladničky otřete všechny vnitřní povrchy a zásuvky teplou vodou s přidáním čajové lžičky jedlé sody a následně vše opláchněte čistou vodou a osušte. Po očištění namontujte všechny části zpět do chladničky.
- Nainstalujte distanční prvky (části s černými křídélky) tím, otočením o 90° tak, jak je to znázorněno na obrázku. Distanční prvky zabraňují styku kondenzátoru se stěnou.
- Vzdálenost mezi stěnou a chladničkou by neměla přesahovat 75 mm.



Před použitím Vaší chladničky

- Před prvním použitím nebo po přepravě nechte chladničku alespoň 3 hodiny ve svislé poloze a teprve poté ji připojte k elektrické síti. V opačném případě může dojít k poškození kondenzátoru.
- Při prvním uvedení chladničky do provozu se může z vnitřního prostoru linout zápach. Tento zápach krátce po zapnutí chladničky zmizí.



Obecné poznámky

Oddělení pro čerstvé potraviny (Chladnička): Nejeftektivnější využití

energie je zajištěno při umístění zásuvek ve spodní části chladničky a rovnoměrném umístění polic, zatímco pozice košíků na dvířkách chladničky spotřebu energie neovlivňuje.

Oddělení pro zmrazené potraviny (Mraznička): Nejúčinnější využití energie je zajištěno v konfiguraci se zásuvkami a zásobníky ve skladové pozici.

ČÁST -2.

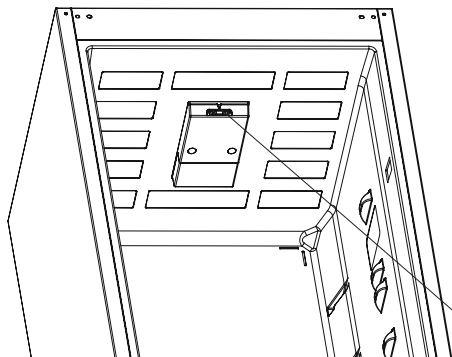
Nastavení termostatu

Informace o technologii Less Frost

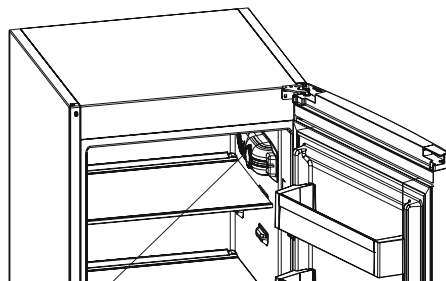
Technologie Less Frost umožňuje spolu se speciálním pouzdem výparníku efektivnější chlazení. Zároveň snižuje potřebu ručního odmrazování a nabízí větší flexibilitu skladovacího prostoru..

Termostat chladicího a mrazicího prostoru

Pokud se osvětlení spolu s termostatem nachází nahoře



Pokud se osvětlení spolu s termostatem nachází na straně



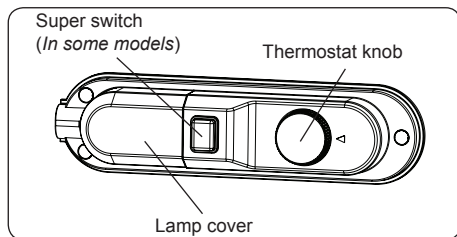
Termostat

Termostat spotřebiče automaticky reguluje vnitřní teplotu. Otáčením ovladače termostatu z polohy 1 na polohu 5 nastavíte nižší teplotu.

Důležitá poznámka: Neotáčejte ovladač termostatu za polohu 1, protože to vede k vypnutí spotřebiče.

Nastavení termostatu chladicího a mrazicího prostoru:

- 1 – 2 : Pro krátkodobé skladování potravin v mrazicím prostoru lze nastavit ovladač termostatu mezi střední a minimální polohu.
- 3 – 4 : Pro dlouhodobé skladování potravin v mrazicím prostoru lze nastavit ovladač termostatu do střední polohy.
- 5 : Pro zmrazení čerstvých potravin. Spotřebič bude pracovat déle. Po zmrazení potravin je nutné vrátit ovladač termostatu do předchozí polohy.



Super mrazení: Tento spínač se používá pro funkci super mrazení. Pro maximální kapacitu mrazení prosím tento spínač zapněte 24 hodiny před vkládáním čerstvých potravin. Po vložení čerstvých potravin do mrazničky, obecně stačí, když spínač necháte v pozici ZAP. po dobu 24 hodin. Chcete-li šetřit energii, vypněte tento spínač po 24 hodinách od vložení čerstvých potravin.

Varování ohledně nastavení teploty

- Nedoporučujeme používat chladničku, pokud teplota okolí klesne pod 10 °C, neboť její provoz by za takovýchto podmínek nebyl efektivní.
- Při nastavování termostatu berete v potaz to, jak často budete otvírat dvířka spotřebiče, jaké množství potravin v něm chcete skladovat a v jakém prostředí spotřebič používáte.
- Pro ochlazení by chladnička měla pracovat - po zapnutí napájení - bez přestávky po dobu alespoň 24 hodin v závislosti na teplotě okolí. Během této doby se vyhněte příliš častému otevírání dvířek a vkládání příliš velkého množství potravin.
- Funkce pětiminutové prodlevy slouží k tomu, aby nedocházelo k poškození kompresoru během vytahování zástrčky ze zásuvky, zasouvání zástrčky do zásuvky nebo v případě poruchy napájení. Chladnička začne normálně pracovat po uplynutí 5 minut.
- Chladnička je přizpůsobena k provozu při teplotním rozmezí stanoveném klimatickou třídou uvedenou na výrobním štítku. Nedoporučujeme Vám používat chladničku v prostředí, které neodpovídá příslušné klimatické třídě.
- Spotřebič byl navržen pro použití v prostředí, kde se teploty pohybují v rozmezí od 16 do 38 °C.

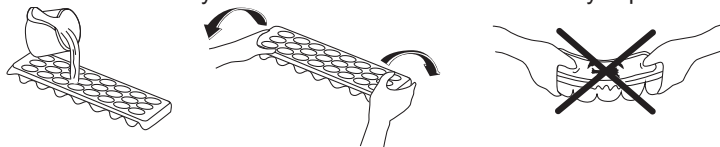
Klimatická třída a význam:

- **T (tropická):** Tato chladnička je určena k použití při okolní teplotě od 16 °C do 43 °C.
- **ST (subtropická):** Tato chladnička je určena k použití při okolní teplotě od 16 °C do 38 °C.
- **N (normální):** Tato chladnička je určena k použití při okolní teplotě od 16 °C do 32 °C.
- **SN (subnormální):** Tato chladnička je určena k použití při okolní teplotě od 10 °C do 32 °C.

Příslušenství

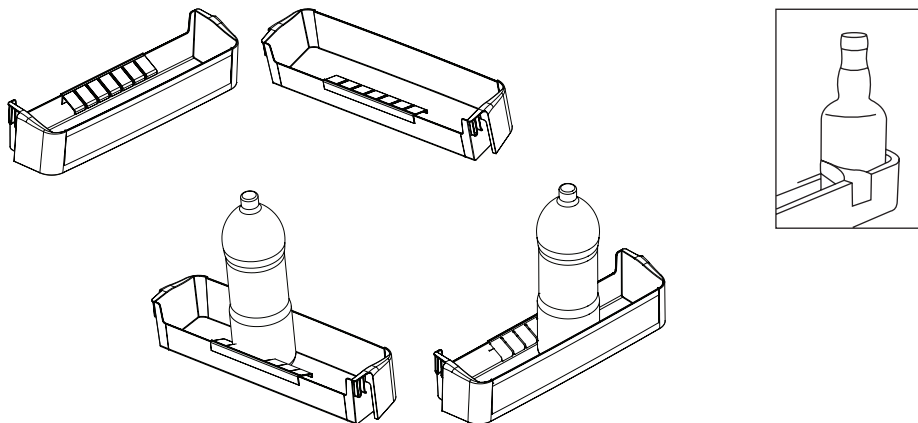
Forma na led

- Naplňte formu na led vodou a vložte do mrazicího prostoru.
- Po úplném zmrazení vody můžete formu otočit - viz níže - a vyklepnout ledové kostky.



Stojan na láhve (pouze některé modely)

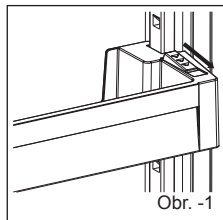
Stojan na lahve zabraňuje vyklouznutí nebo vypadnutí lahví. Přechází také vzniku hluku při otevírání a zavírání dveří ledničky.



Nastavitelná polička ve dvířkách (pouze některé modely)

K vytvoření úložných ploch, které potřebujete, můžete použít nastavitelnou poličku ve dvířkách.

Změna pozice nastavitelné poličky ve dvířkách:

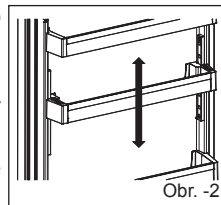


Obr. -1

Přidržte tlačítko poličky a zatlačte na tlačítka po stranách poličky ve dveřích ve směru šipky. (Obr. 1)

Poličku ve dvířkách umístěte do potřebné výšky posunutím nahoru nebo dolů.

Po dosažení požadované pozice poličky uvolněte tlačítka po obou stranách (obr. 2). Poté se ujistěte, že je polička ve dvířkách dobře upevněná.



Obr. -2

Poznámka: Naplněnou poličku musíte před přesunutím přidržet pomocí tlačítka. V opačném případě by polička mohla v důsledku své hmotnosti vyklouznout z drážek. Mohlo by dojít k poškození drážek nebo samotné poličky.

Obrázky příslušenství spolu s popiskami se mohou lišit v závislosti na modelu Vašeho spotřebiče.

ČÁST 3 ROZMÍSTĚNÍ POTRAVIN VE SPOTŘEBIČI

Chladicí prostor

- Do chladničky nikdy nevkládejte tekutiny v obalech, které nelze těsně uzavřít, neboť by došlo ke zvýšení vlhkosti uvnitř spotřebiče a zvýšení chladicího výkonu. Námraza má tendenci se hromadit v nejstudenější části výparníku, což má za následek nutnost častějšího odmrazování spotřebiče.
- Nikdy nevkládejte do chladničky teplé potraviny. Teplé potraviny je třeba nechat vychladnout při pokojové teplotě a následně je uložit v chladničce tak, aby byla zajištěna dostatečná cirkulace vzduchu uvnitř spotřebiče.
- Potraviny skladované v chladničce by se neměly dotýkat její zadní stěny. V opačném případě zde dochází k tvorbě námrazy. Neotvírejte dvířka chladničky příliš často.
- Maso a vykuchané ryby je nutné zabalit do papíru nebo umělohmotného sáčku, uložit do chladničky a zkonzumovat během 1 až 2 dnů.
- Ovoce a zeleninu lze umístit v přihrádce na zeleninu bez obalu.

Potraviny	Délka skladování	V které části chladničky skladovat
Ovoce a zelenina	1 týden	Do zásuvky crisper (bez obalu)
Maso a ryby	2-3 dny	Zakryté plastovou fólií nebo sáčky nebo v boxu na maso (na skleněné policičce)
Čerstvý sýr	3-4 dny	Ve speciální policičce ve dveřích
Máslo a margarín	1 týden	Ve speciální policičce ve dveřích
Produkty v lahvích, mléko a jogurt	Do expirace doporučené výrobcem	Ve speciální policičce ve dveřích
Vejce	1 měsíc	V zásobníku na vajíčka
Vařené potraviny		Všechny policičky

- Za normálních pracovních podmínek postačí upravit nastavení teploty chladničky na +4 °C.
- Teplota chladicího oddílu by měla být v rozmezí 0–8 °C, čerstvé potraviny jsou při teplotě pod 0 °C ledové a hnijí a při teplotě nad 8 °C se zvyšuje množství bakterií a potraviny se kazí.
- Nevkládejte do chladničky horká jídla, nechte je zchladnout na pokojovou teplotu. Horká jídla zvyšují teplotu chladničky a mohou způsobit otravu jídlem nebo zbytečné zkažení potravin.
- Maso, ryby a podobné potraviny by měly být skladovány v chilleru a zelenina v přihrádce na zeleninu (pokud je k dispozici).
- Aby se zabránilo křížové kontaminaci, neuchovávejte masné výrobky s ovocem a zeleninou.
- Potraviny v chladničce mají být uchovávány v uzavřených nádobách nebo v jiných vhodných obalech tak, aby do chladničky neuvolňovaly pachy a vlhkost.

Mrazicí prostor

- Mrazicí prostor je určen pro k dlouhodobému skladování skladování hluboce zmrazených nebo zmrazených potravin a pro výrobu ledových kostek.
- Nepokládejte čerstvé či nezmrazené potraviny na skleněné police mrazicího prostoru. Tyto potraviny je nutné nejprve zmrazit. Skleněné police používejte pouze pro skladování již zmrazených potravin.
- Neumísťujte čerstvé a již zmrazené potraviny vedle sebe, neboť by mohlo dojít k rozmrazení již zmrazených potravin.
- Čerstvé potraviny (např. maso, ryby a mleté maso) před zmrazením nejprve rozdělte na jednotlivé porce, a teprve poté zmrazte.
- Skladování zmrazených potravin: Důsledně dodržujte pokyny uvedené na obalech mražených potravin. Pokud na obalu nejsou uvedeny žádné informace, pak neskladujte takové potraviny déle než 3 měsíce od data nákupu.
- Při nákupu mražených potravin se vždy ujistěte, že byly zmrazeny na správnou teplotu a nedošlo k porušení jejich obalu.
- Mražené potraviny přepravujte ve vhodných nádobách, aby nedošlo k jejich rozmrazení a následnému znehodnocení během přepravy. Co nejrychleji je je vložte do mrazicího prostoru spotřebiče.
- Pokud obal mražených potravin jeví známky navlhnutí nebo nenormálního nafouknutí, znamená to, že potraviny byly pravděpodobně skladovány při nevhodné teplotě a zkazily se.
- Doba skladování mražených potravin závisí na teplotě v místnosti, nastavení termostatu, na frekvenci otevírání dvířek, druhu potravin a délce přepravy daného výrobku z prodejny do Vaší domácnosti. Vždy dodržujte pokyny uvedené na obalu a nikdy nepřekračujte maximální dobu skladování uvedenou na obalu.
- Skleněné police slouží k rychlému zmrazení čerstvých potravin, neboť mrazicí prostor dosahuje většího výkonu mrazení. Tyto police se nacházejí nad a pod prostřední přihrádkou v mrazicím prostoru.

Ryby a různé druhy masa	Příprava	Délka skladování (měsíce)	Délka rozmrazování při pokojové teplotě -hodiny-
Hovězí steak	Zabalený k mražení v praktických porcích	6-10	1-2
Jehněčí maso	Zabalený k mražení v praktických porcích	6-8	1-2
Telecí pečeně	Zabalený k mražení v praktických porcích	6-10	1-2
Telecí kostky	Na malé kousky	6-10	1-2
Skopové kousky	Na kousky	4-8	2-3
Mleté maso	V praktických porcích, balené bez kořenění	1-3	2-3
Droby (kousky)	Na kousky	1-3	1-2
Párky/Salámy	Musí být zabalené.		Do rozmrazení
Kuře a krůta	Zabalený k mražení v praktických porcích	7-8	10-12
Kachna/Husa	Zabalený k mražení v praktických porcích	4-8	10
Jelen - Králík - Kanec	Porce po 2,5 kg a bez kostí	9-12	10-12
Sladkovodní ryby (pstruh, kapr, štika, candát)	Musí být omyté a osušené, dobře vyčištěné, ocasní ploutev a hlava musí být odříznuté.	2	Do úplného rozmrazení
Mořské ryby (okoun, platýs, kambala)		4-8	Do úplného rozmrazení
Tučné ryby (makrela, tuňák, sardinky)		2-4	Do úplného rozmrazení
Korýši	Očištění a v sáčcích	4-6	Do úplného rozmrazení
Kaviár	Ve vlastním obalu, hliníkovém nebo plastovém	2-3	Do úplného rozmrazení
Hlemýždi	Ve slané vodě, v hliníkovém nebo plastovém obalu	3	Do úplného rozmrazení

Zelenina a ovoce	Příprava	Délka skladování (měsíce)	Délka rozmrazování při pokojové teplotě -hodiny-
Květák	Odstraňte listy, rozdělte na části a vložte do nádoby s vodou a trochou citrónu	10 - 12	Lze použít ve zmražené formě
Fazolky, zelené fazolky	Omyjte a nakrájejte na malé kousky.	10 - 13	Lze použít ve zmražené formě
Hrášek	Vyloupejte a opláchněte	12	Lze použít ve zmražené formě
Houby a chřest	Omyjte a nakrájejte na malé kousky.	6 - 9	Lze použít ve zmražené formě
Zelí	Očištěné	6 - 8	2
Lilek	Po omytí nakrájejte na 2 cm kousky	10 - 12	Plátky oddělte
Kukuřice	Očistěte a zabalte klas nebo zrna	12	Lze použít ve zmražené formě
Mrkev	Očistěte a nakrájejte na plátky	12	Lze použít ve zmražené formě
Paprika	Odstraňte stonek, rozdělte na poloviny a odstraňte semínka.	8 - 10	Lze použít ve zmražené formě
Špenát	Omytý	6 - 9	2
Jablko a hruška	Nakrájené, oloupané	8 - 10	(V mrazničce) 5
Meruňka a broskev	Rozpulte a odstraňte pecku	4 - 6	(V mrazničce) 4
Jahoda a malina	Omyjte a očistěte	8 - 12	2
Vařené ovoce	V nádobě s přidáním 10% cukru	12	4
Švestky, třešně, višně	Omyjte je a vyjměte pecky.	8 - 12	5 - 7

Mléčné produkty a pečivo		Příprava	Délka skladování (měsíce)	Skladovací podmínky
Balené (homogenizované) mléko		Ve vlastním obalu	2 - 3	Pouze homogenizované mléko
Sýr (s výjimkou tvarohu)		Na plátky	6 - 8	Při krátkodobém skladování lze ponechat v původním balení. Při dlouhodobém skladování je třeba je zabalit do plastové fólie.
Máslo, margarín		Ve vlastním obalu	6	
Véjce(*)	Bílek		10 - 12	30 gr se rovná žloutku
	Vaječná směs (bílek-žloutek)	Dobře promíchejte, přidejte špetku cukru nebo soli, abyste předešli nadměrnému zhoustnutí.	10	50 gr se rovná žloutku
	Žloutek	Dobře promíchejte, přidejte špetku cukru nebo soli, abyste předešli nadměrnému zhoustnutí.	8 - 10	20 g se rovná žloutku

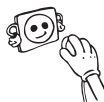
V uzavřeném pohárku

(*) Nesmí dojít ke zmrazení se skořápkou. Bílek a žloutek se musí zmrazit odděleně nebo musí být dobře promíchány..

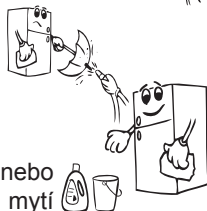
	Délka skladování (měsíce)	Délka rozmrazování při pokojové teplotě (hodiny)	Délka rozmrazování v troubě (minuty)
Chléb	4 - 6	2 - 3	4-5 (220-225 °C)
Sušenky	3 - 6	1 - 1,5	5-8 (190-200 °C)
Koláč	1 - 3	2 - 3	5-10 (200-225 °C)
Dort	1 - 1,5	3 - 4	5-8 (190-200 °C)
Listové těsto	2 - 3	1 - 1,5	5-8 (190-200 °C)
Pizza	2 - 3	2 - 4	15-20 (200 °C)

ČÁST -4. ČIŠTĚNÍ A ÚDRŽBA

- Před přistoupením k čištění nejprve odpojte chladničku od napájení vytažením zástrčky napájecího kabelu ze zásuvky.



- Je zakázáno čistit chladničku nalitím vody do vnitřního prostoru..



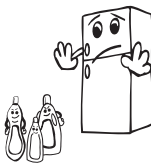
- Vnitřní a vnější povrch spotřebiče lze otřít měkkým hadříkem (nebo houbičkou) namočeným do teplé vody s trochou prostředku na mytí nádobí.



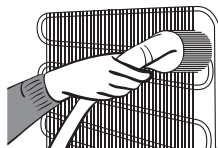
- Jednotlivé komponenty vyjímáte ze spotřebiče postupně a umyjte je ve vodě s trochou prostředku na mytí nádobí. Tyto komponenty nelze mýt v myčce nádobí.



- Nepoužívejte abrazivní prostředky, saponáty ani mýdla. Po umytí vše opláchněte čistou vodou a důkladně vysušte. Po ukončení čištění připojte spotřebič k napájení zasunutím zástrčky suchou rukou do zásuvky.

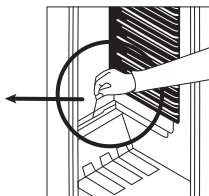
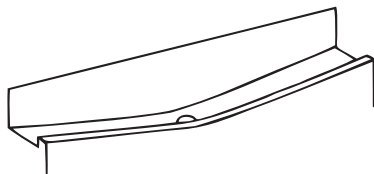


- Kondenzátor (černý prvek na zadní straně ledničky) je třeba čistit pomocí měkkého kartáče minimálně jednou ročně. Tímto způsobem umožníte chladničce pracovat efektivněji a s menší spotřebou energie.



NAPÁJENÍ MUSÍ BÝT VŽDY ODPOJENO

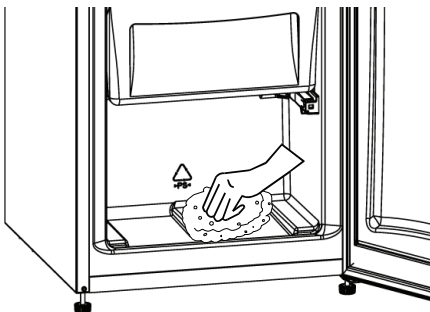
Odmrazování chladicího prostoru



- Odmrazování probíhá zcela automaticky během provozu spotřebiče. Voda z odmrázování se hromadí ve žlábků pro odpařování a automaticky se odpařuje.
- Odpařovací žlábků a otvor pro odtok vody (na zadní straně přihrádky na ovoce v chladicím prostoru) je třeba pravidelně čistit, aby nedocházelo k hromadění vody na dně. Voda by měla normálně odtékat.

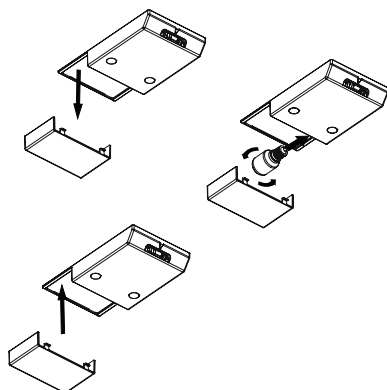
Odmrazování mrazicího prostoru

- Námrazu pokrývající police v mrazicím prostoru je třeba pravidelně odstraňovat.
- K tomuto účelu nepoužívejte ostré kovové předměty, neboť by mohlo dojít k propíchnutí chladicího okruhu a následnému neopravitelnému poškození spotřebiče. Používejte výhradně plastovou škrabku, která byla přiložena ke spotřebiči.
- Pokud je vrstva námrazy silnější než 5 mm, je třeba odmrazit spotřebič.
- Před přistoupením k odmrazování spotřebiče je nutné umístit zmražené potraviny na chladné místo. Zabalení potravin do novin pomůže déle udržet správnou teplotu.
- Proces odmrazování urychlíte umístěním jedné nebo více nádob s teplou vodou do mrazicího prostoru.
- Vysušte vnitřek mrazicího prostoru houbičkou nebo čistým hadříkem.
- Po odmrazení spotřebiče umístíte potraviny zpět do mrazicího prostoru a nezapomeňte je co nejdříve zkonsumovat.

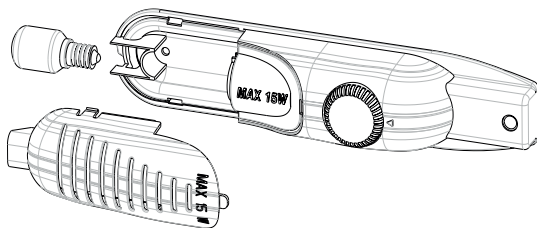


Výměna žárovky osvětlení v chladicím prostoru

Pokud je osvětlení spolu s termostatem umístěno nahoře



Pokud je osvětlení spolu s termostatem umístěno na straně



Při výměně žárovky v chladicím prostoru spotřebiče postupujte následovně:

1. Odpojte spotřebič od elektrické sítě vytažením zástrčky napájecího kabelu ze zásuvky.
2. Demontujte kryt osvětlení chladicího prostoru spotřebiče stisknutím západek na obou stranách krytu
3. Vyměňte žárovku za novou (max. 15 W).
4. Namontujte kryt zpět a zapněte spotřebič.

Výměna LED osvětlení

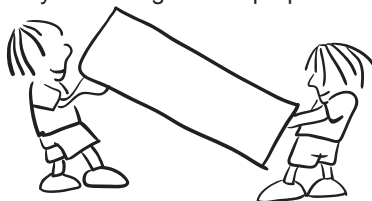
Pokud je chladnička vybavena LED osvětlením, kontaktuje zákaznický servis, neboť takovou výměnu smí provádět pouze kvalifikovaný personál.

ČÁST -5. PŘEPRAVA A ZMĚNA MÍSTA INSTALACE

Přeprava a změna místa instalace

- Originální obal a polystyrénovou pěnu si můžete uschovat pro případnou přepravu spotřebiče v budoucnu (volitelné).
- V případě opětovné přepravy použijte silný obal, popruhy nebo silné provazy a postupujte v souladu s pokyny pro přepravu uvedenými na originálním přepravním obalu.
- Vyjměte veškeré pohyblivé příslušenství (police, přihrádky na ovoce a zeleninu apod.) nebo upevněte uvnitř spotřebiče tak, aby se během přemísťování a přepravy nemohlo pohybovat.

Chladničku vždy přepravujte ve svislé poloze.



Změna otevírání dvířek

- Nelze změnit směr otevírání dvířek chladničky, pokud je madlo připevněno k čelní straně těchto dvířek.
- Směr otevírání dvířek lze změnit u pouze u modelů, které nejsou vybaveny madly.
- Pokud lze změnit směr otevírání dvířek Vaší chladničky, kontaktujte nejbližší autorizovaný servis, který provede změnu směru jejich otevírání.

ČÁST -6. NEŽ KONTAKTUJETE ZÁKAZNICKÝ SERVIS

Pokud Vaše chladnička nefunguje správně, může se jednat o drobný problém. před kontaktováním zákaznického servisu zkontrolujte následující body - ušetříte tak čas i peníze.

Co dělat, když Váš spotřebič nepracuje:

Zkontrolujte, zda:

- Nedošlo k výpadku napájení,
- Není vypnutý hlavní jistič v domě/bytě,
- Zásuvka je funkční. Připojte k této zásuvce jiný spotřebič, o kterém spolehlivě víte, že funguje.

Co dělat, když Váš spotřebič nepracuje správně:

Zkontrolujte, zda:

- Spotřebič není zbytečně zatěžován,
- Termostat není nastaven do polohy "1" (pokud ano, pak ho nastavte otočným voličem do příslušné polohy),
- Dvířka jsou důkladně zavřená,
- Na kondenzátoru není usazený prach,
- Byla ponechána dostatečná mezera mezi spotřebičem a stěnou.

Pokud spotřebič vydává hluk:

Normální hluk

Hluk kompresoru

- Normální hluk motoru. Tento hluk znamená, že kompresor normálně pracuje.
- Kompresor může hlučet intenzivněji krátce po zapnutí.

Zvuk bublání a šplíchání:

- Tento hluk způsobuje průtok chladiva trubkami chladicího okruhu.
- Pokud se tento zvuk liší, zkontrolujte, zda:
 - Je spotřebič správně vyrovnán.
 - Nic se nedotýká jeho zadní stěny.
 - Nevibrují nějaké předměty umístěné na spotřebiči.

Pokud se ve spodní části spotřebiče hromadí voda:

Zkontrolujte, zda:

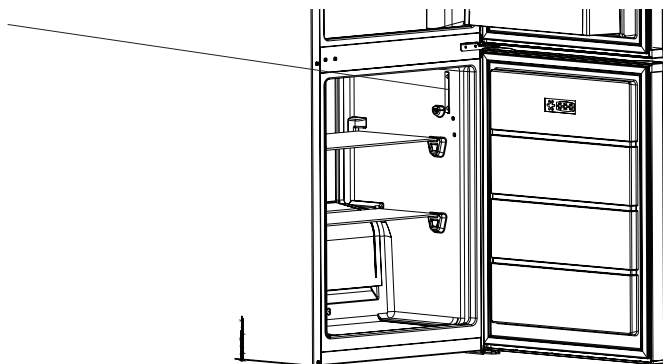
Drenážní otvor určený k odtékání vody z odmrazování není ucpaný (použijte příslušnou zátku).

Důležité poznámky:

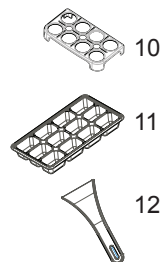
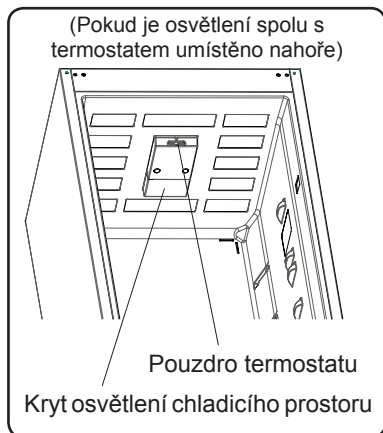
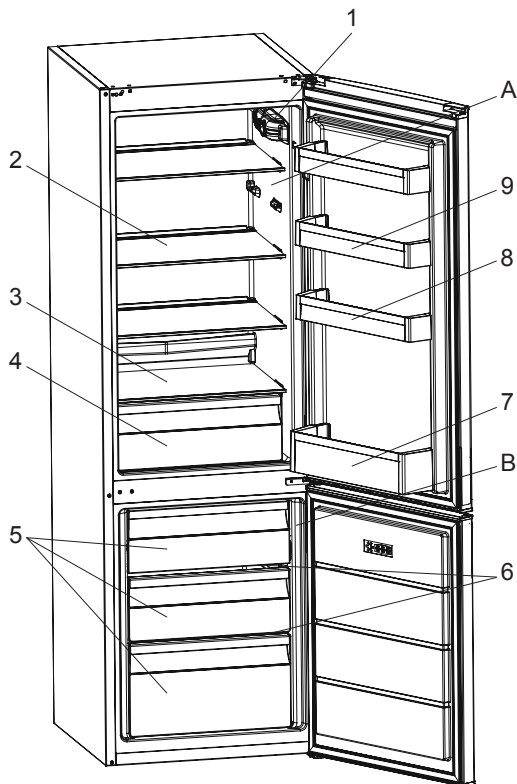
- Pokud nebudete spotřebič delší dobu používat (např. o letních prázdninách), odpojte ho od napájení, vyčistěte v souladu s pokyny a nechte dvířka otevřená, aby nedošlo ke vzniku plísní a tvorbě nepříjemného zápachu.
- Pokud chcete spotřebič zcela vypnout, vytáhněte zástrčku napájecího kabelu ze zásuvky (před čištěním a pro případ, že dvířka zůstanou otevřená).
- Pokud problém přetrvává, přestože jste se řídili výše uvedenými pokyny, kontaktujte prosím nejbližší autorizovaný servis.

Tipy pro úsporu energie

1. Spotřebič je nutno instalovat v chladné, dobře ventilované místnosti bez přístupu přímého slunečního záření a mimo dosah tepelných zdrojů (topná tělesa, sporáky atp.). V opačném případě musí být použity izolační desky.
2. Teplé potraviny a nápoje je třeba nechat vychladnout mimo spotřebič.
3. Pokud chcete rozmrazit zmrazené potraviny, umístěte je do chladicího prostoru spotřebiče. Nízká teplota zmrazených potravin snížit teplotu v chladicím prostoru spotřebiče a uspořit tak energii. rozmrazujete zmrazené potraviny mimo spotřebič, k úspoře energie nedojde.
4. Nádoby s nápoji a jinými tekutinami, které chcete uskladnit v chladničce, musí být uzavřené víkem. V opačném případě stoupne vlhkost uvnitř spotřebiče, což povede k prodloužení jeho provozu. Kromě toho pomůže zakrytí nádoby s nápoji nebo jinými tekutinami uchovat jejich vůni a chuť.
5. Při vkládání nápojů a potravin do spotřebiče omezte dobu, po kterou jsou dvířka otevřená, na minimum.
6. Kryty jednotlivých sekcí spotřebiče, v nichž panují rozdílné teploty, musí být vždy těsně uzavřeny (příhrádka na zeleninu, mrazicí prostor apod.).
7. Těsnění dvířek chladničky musí být čisté a pružné. Opatřované těsnění musíte vyměnit za nové.
8. Spotřeba energie Vašeho spotřebiče je uvedena bez příhrádek a s naplněným mrazicím prostorem.
9. Pro úsporu energie nepoužívejte prostor mezi značkou mezního zatížení a dvířky. Hranice mezního zatížení je rovněž uvedena na energetickém štítku.



ČÁST -7. ČÁSTI A ODDÍLY SPOTŘEBIČE



Tento obrázek má pouze informativní charakter a slouží k vyobrazení různých částí spotřebiče a jeho příslušenství. Jednotlivé komponenty se mohou v závislosti na modelu spotřebiče lišit.

A) Chladicí prostor
B) Mrazicí prostor

- 1) Pouzdro termostatu (pokud je osvětlení spolu s termostatem umístěno na boční straně)
- 2) Police chladicího prostoru
- 3) Kryt přihrádky na ovoce a zeleninu
- 4) Přihrádka na ovoce a zeleninu
- 5) Přihrádka mrazicího prostoru
- 6) Skleněné police mrazicího prostoru*
- 7) Přihrádka na lahve
- 8) Nastavitelné přihrádky ve dvířkách
- 9) Horní přihrádka ve dvířkách
- 10) Držák na vejce
- 11) Forma na led
- 12) Plastová škrabka *

*U některých modelů


Obsah


PRED POUŽITÍM SPOTREBIČA.....	43
Všeobecné upozornenia.....	43
Bezpečnostné upozornenia.....	48
Inštalácia a prevádzka chladničky.....	49
Pred použitím chladničky.....	49
RÔZNE FUNKCIE A MOŽNOSTI.....	50
Informácie o technológii LessFrost.....	50
Nastavenie termostatu chladničky a mrazničky.....	50
Nastavenie termostatu.....	50
Výstrahy o nastaveniach teplôt.....	51
Príslušenstvo.....	52
Miska na ľad.....	52
Držiak na fľaše.....	52
ROZLOŽENIE POTRAVÍN V SPOTREBIČI.....	53
Chladiaci priestor.....	53
Mraziaci priestor.....	54
ČISTENIE A ÚDRŽBA.....	58
Odmrazovanie.....	59
Výmena žiarovky v chladničke.....	60
DODANIE A PREMIESTNENIE.....	60
Zmena pozície dverí.....	60
SKÔR NEŽ ZAVOLÁTE SERVIS.....	61
Tipy pre šetrenie energie.....	62
ČASTI SPOTREBIČA A ODDELENIA.....	63


ČASŤ 1 PRED POUŽITÍM SPOTREBIČA


Všeobecné upozornenia


Tento spotrebič nie je určený na používanie ako vstavaný spotrebič.


 **VAROVANIE:** Vetracie otvory spotrebiča alebo vstavenej konštrukcie nezakrývajte.


 **VAROVANIE:** Nepoužívajte mechanické zariadenia ani iné spôsoby na urýchlenie odmrazovania iné ako tie, ktoré odporúča výrobca.

 **VAROVANIE:** V priestore na potraviny nepoužívajte elektrické spotrebiče, ak nejde o typ odporúčaný výrobcom.

 **VAROVANIE:** Nepoškodte chladiaci okruh.

 **VAROVANIE:** Aby ste predišli nebezpečenstvu spôsobenému nestabilitou spotrebiča, je potrebné ho upevniť podľa pokynov.

 **VAROVANIE:** Pri umiestňovaní spotrebiča sa uistite, že napájací kábel nie je zachytený alebo poškodený.

 **VAROVANIE:** K zadnej strane spotrebiča neumiestňujte prenosné rozvojky alebo prenosné zdroje napätia.



Symbol ISO 7010 W021

Varovanie: Riziko požiaru/horľavých materiálov

- Ak váš spotrebič ako chladivo používa R600 - túto informáciu zistíte zo štítku na chladničke - musíte dávať pozor počas prepravy a inštalácie, aby ste predišli poškodeniu prvkov chladničky. Aj napriek tomu, že R600a je prírodný plyn šetrný k životnému prostrediu, je aj výbušný. V prípade poškodenia systému chladenia a úniku chladiva, odneste chladničku mimo otvorený plameň alebo zdroje tepla a nechajte niekoľko minút vetrať miestnosť, v ktorej sa chladnička nachádza.

- Počas prenášania a umiestnenia chladničky dávajte pozor, aby ste nepoškodili okruh chladiaceho systému.
- V tomto spotrebiči neskladujte výbušné látky, napr. plechovky s aerosólom.
- Tento spotrebič je určený na použitie v domácnostiach a podobných zariadeniach, napr.:
 - ako vybavenie kuchýň v obchodoch, kanceláriách a iných pracovných prostrediach.
 - na farmách a v hoteloch, motelloch a iných podobných prostrediach
 - zariadeniach typu bed and breakfast,
 - v cateringu a podobnom prostredí
- Ak sa zástrčka chladničky nezmesťí do zásuvky, musí byť vymenená výrobcom, servisným technikom alebo kvalifikovanými osobami, aby sa predišlo zraneniu.
- Tento spotrebič nie je určený na používanie osobami (vrátane detí) s obmedzenými fyzickými, zmyslovými alebo mentálnymi schopnosťami, prípadne s nedostatkom skúseností a znalostí, ak na ne nedohliada osoba zodpovedná za ich bezpečnosť alebo im nedá pokyny ohľadom používania spotrebiča. Na deti treba dohliadať, aby sa zaručilo, že sa so spotrebičom nebudú hrať.
- Špeciálne uzemnená zástrčka musí byť pripojená k napájaciemu káblu vašej chladničky. Táto zástrčka musí byť použitá so špeciálne uzemnenou 16 amp. zásuvkou. V prípade, že doma takú zástrčku nemáte, nechajte ju nainštalovať kvalifikovaným elektrikárom.
- Deti vo veku od 3 do 8 rokov smie nakladať a vykladať chladiace spotrebiče. Deti nemajú vykonávať údržbu alebo čistenie spotrebiča, veľmi malé deti (0 – 3 rokov) nemajú

používať spotrebič, malé deti (3 – 8 rokov) nemajú používať spotrebič, ak sú bez stáleho dozoru, staršie deti (8 – 14 rokov) a ľudia s obmedzenými fyzickými alebo duševnými schopnosťami môžu používať spotrebiče bezpečne, ak sú pod dozorom alebo boli o bezpečnom použití spotrebiča náležite poučení. Ľudia s veľmi obmedzenými schopnosťami nemajú používať spotrebič, kým nie sú pod stálym dozorom.

- Tento spotrebič môžu používať deti od 8 rokov a staršie a osoby s obmedzenými fyzickými, zmyslovými alebo mentálnymi schopnosťami alebo s nedostatkom skúseností a znalostí, ak budú pod dozorom, alebo im budú poskytnuté informácie o bezpečnom používaní spotrebiča a porozumejú týmto pokynom. Deti sa nesmú hrať so spotrebičom. Deti bez dozoru nesmú vykonávať čistenie ani používateľskú údržbu.
- Ak je napájací kábel poškodený, musí ho vymeniť výrobca, jeho servisné stredisko, alebo iná kvalifikovaná osoba, aby nedošlo k ublíženiu na zdraví.
- Tento spotrebič nie je určený na použitie v nadmorských výškach nad 2000 m.

Aby nedošlo ku kontaminácii jedla, dodržujte prosím nasledujúce pokyny:

- Ponechanie dvierok v otvorenom stave po dlhú dobu môže spôsobiť výrazný nárast teploty vnútri oddelenia spotrebiča.
- Pravidelne očisťujte povrchy, ktoré prichádzajú do kontaktu s jedlom, a tiež prístupné odtokové systémy.
- Surové mäso a ryby uchovávajte v chladničke vo vhodných kontajneroch, aby nedochádzalo k ich kontaktu s inými potravinami alebo kvapnutiu na ne.
- Oddelenie pre mrazené potraviny označené dvoma hviezdikami sú vhodné pre uchovávanie vopred zmrazených potravín, uchovávanie alebo výrobu zmrzliny a výrobu ľadových kociek.
- Oddelenie označené jednou, dvoma alebo tromi hviezdikami nie sú vhodné pre zmrazenie čerstvého jedla.
- Ak chladiace zariadenie je ponechané prázdne po dlhú dobu, je nutné ho vypnúť, rozmraziť, očistiť, osušiť a ponechať dvierka otvorené, aby ste zabránili tvorbe plesní vo vnútri spotrebiča.

Staré a zastarané chladničky

- Ak má vaša stará chladnička zámok, znefunkčnite ho, aby sa deti nemohli zatvriť v spotrebiči.



- Staré chladničky a mrazničky obsahujú izolačný materiál a chladiace látku s CFC. Pri likvidácii starých chladničiek dajte pozor, aby ste nepoškodili životné prostredie. Na miesto likvidácie starých chladničiek sa spýtajte na miestnom úrade.

Poznámky:

- Pred inštaláciou a použitím spotrebiča si pozorne prečítajte návod na obsluhu. Nie sme zodpovední za škody vzniknuté nesprávnym používaním.
- Dodržiavajte pokyny uvedené na spotrebiči a v návode na obsluhu, tento návod uchovajte na bezpečnom mieste, aby ste mohli vyriešiť problémy, ak k nim v budúcnosti nedôjde.
- Tento spotrebič je určený výlučne na použitie v domácnosti a uvedené účely. Nie je určený na komerčné alebo laboratórne použitie. Takéto použitie spôsobí, že záruka stratí platnosť a naša spoločnosť neponesie zodpovednosť za straty, ku ktorým dôjde.
- Tento spotrebič je určený len na použitie v domácnostiach a je vhodný iba pre skladovanie / chladenie potravín. Nie je vhodný na komerčné použitie a/alebo skladovanie látok iných ako sú potraviny. Naša spoločnosť nie je zodpovedná za straty, ktoré by sa v opačnom prípade vyskytli.

Všeobecné poznámky

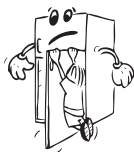
- **Oddelenie pre čerstvé potraviny (Chladnička):** Najefektívnejšie využitie energie je zabezpečené pri umiestnení zásuviek v spodnej časti chladničky a rovnomernom umiestnení políc, zatiaľ čo pozície košíkov na dverkách chladničky spotrebu energie neovplyvňuje.
- **Mraziaci priestor (Mraznička):** Najefektívnejšie využívanie energie je zabezpečené pri konfigurácii so zásuvkami a košmi v naloženej polohe.

Bezpečnostné upozornenia

- Nepoužívajte rozdvojky ani predlžovací kábel.
- Nezapájajte do starých, poškodených alebo opotrebovaných zásuvek.
- Kábel neťahajte, neohýbajte.
- Nepoužívajte zástrčkový adaptér.



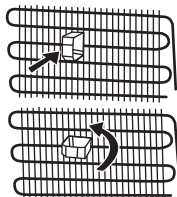
- Tento spotrebič je navrhnutý na používanie dospelými osobami, preto nedovoľte deťom, aby sa so spotrebičom hrali, a nedovoľte im, aby sa vešali na dverka.
- Nepripájajte spotrebič do ak máte mokré ruky, mohlo by dôjsť k úrazu elektrickým prúdom!
- Do priečinka mrazničky nedávajte sklenené fľaše alebo nádoby s nápojmi. Fľaše alebo plechovky môžu explodovať.
- Z dôvodu vašej bezpečnosti nedávajte do chladničky výbušné alebo horľavé materiály. Nápoje s vyšším obsahom alkoholu umiestnite vertikálne pričom ich hrdlá v chladničke pevne uzatvorte.
- Keď beriete ľad vyrobený v priestore mrazničky, nedotýkajte sa ho, pretože môže spôsobiť omrzliny a/alebo sa môžete porezať.
- Zmrazených produktov sa nedotýkajte mokrými rukami! Nejedzte zmrzlinu a kocky ľadu okamžite po vybratí z mrazničky!
- Zmrazené tovary po rozmrazení opätovne nezmrazuje. Môže to spôsobiť zdravotné problémy, napr. otravu jedlom.
- Hornú časť chladničky nezakrývajte. Ovplyvní to výkon chladničky.
- Príslušenstvo v chladničke počas prepravy upevnite, aby ste predišli jeho poškodeniu.



Inštalácia a prevádzka chladničky

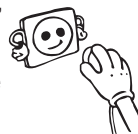
Pred spustením chladničky musíte venovať pozornosť nasledujúcim bodom:

- Prevádzkové napätie vašej chladničky je 220-240V pri 50 Hz.
- Sieťový kábel vašej chladničky má uzemnenú zástrčku. Táto zástrčka by sa mala používať s uzemnenou zásuvkou, ktorá obsahuje minimálne 16 ampérovú poistku. Ak nemáte zásuvku, ktorá by to spĺňala, nechajte to vykonať kvalifikovaným elektrikárom.
- Nenesieme zodpovednosť za škody, ku ktorým dôjde v dôsledku neuzemnenia.
- Chladničku umiestnite na miesto, kde nebude vystavená priamemu slnečnému svetlu.
- Váš spotrebič musí byť minimálne 50 cm od rúr, plynových rúr alebo radiátorov, a minimálne 5 cm od elektrických rúr.
- Vaša chladnička nesmie byť nikdy používaná vonku alebo ponechaná na daždi.
- Keď je vaša chladnička umiestnená vedľa truhlicovej mrazničky, musí byť medzi nimi minimálne 2 cm miesto, aby sa predišlo hromadeniu vlhkosti na vonkajšom povrchu.
- Na chladničku nič neumiestňujte a chladničku inštalujte na vhodné miesto, aby bolo dostupných aspoň 15 cm na hornej strane.
- Nastaviteľné predné nožičky by sa mali stabilizovať v príslušnej výške, aby mohla chladnička fungovať stabilným a správnym spôsobom. Nožičky môžete nastaviť otočením v smere hodinových ručičiek (alebo naopak). Toto by sa malo vykonať pred vložením potravín do chladničky.
- Pred použitím chladničky utrite všetky diely vlažnou vodou s prídavným čajovej lyžičky sódy bikarbóny, potom ich následne opláchnite čistou vodou a vysušte. Po vyčistení všetko dajte na svoje miesto.
- Nainštalujte plast na nastavenie vzdialenosti (diel s čiernymi lopatkami na zadnej strane) otočením o 90° tak, ako je zobrazené na obrázku, aby sa predišlo tomu, že sa kondenzátor dotkne steny.
- Chladnička musí byť umiestnená proti stene vo vzdialenosti nepresahujúcej 75 mm.



Pred použitím chladničky

- Pri prvom spustení alebo pri spustení po preprave nechajte chladničku stáť 3 hodiny a až potom zapojte. V opačnom prípade poškodíte kompresor.
- Vaša chladnička môže pri prvom spustení trochu zapáchať, zápach zmizne akonáhle chladnička začne chladieť.



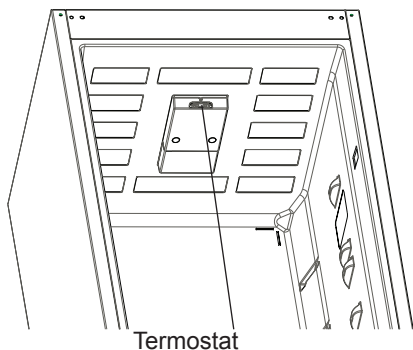
ČASŤ 2 RÔZNE FUNKCIE A MOŽNOSTI

Informácie o technológii LessFrost

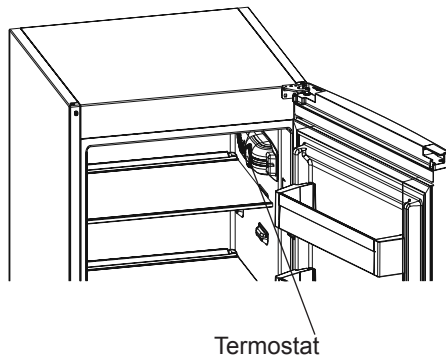
Vďaka obalu okolo výparníka, technológia LessFrost umožňuje efektívnejšie chladenie, menšiu potrebu ručného rozmrazovania a väčšiu flexibilitu skladovacieho priestoru.

Nastavenie termostatu chladničky a mrazničky

Keď sú osvetlenie a termostat umiestnené na hornej strane



Keď sú osvetlenie a termostat umiestnené bočnej strane



Nastavenie termostatu

Termostat mrazničky a chladničky automaticky reguluje vnútornú teplotu v priestore. Otáčaním ovládača z polohy 1 do 5 môžete nastaviť nižšiu teplotu.

Dôležitá poznámka: Nepokúšajte sa otáčať ovládačom nad polohu 1, zastaví to vaše zariadenie.

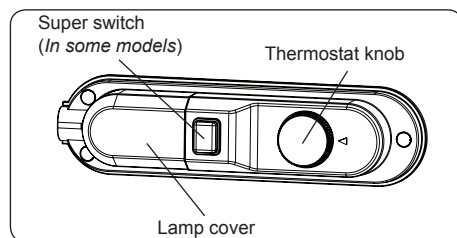
Nastavenie termostatu mrazničky

1 - 2 : Pre krátkodobé uchovávanie potravín v mrazničke nastavte ovládač na minimálnu a strednú hodnotu.

3 - 4 : Pre dlhodobé uchovávanie potravín v mrazničke nastavte ovládač na strednú hodnotu.

5 : Pre mrazenie čerstvých potravín. Spotrebič bude pracovať ďalej. Po dosiahnutí chladného stavu je potrebné nastaviť ovládač na predchádzajúcu pozíciu.

Uvedomte si, že, okolitá teplota, teplota čerstvo uložených potravín a to, ako často sú dvere otvorené, ovplyvňujú teplotu v chladiacom priestore. Ak je to potrebné, zmeňte nastavenie teploty.



Super mrazenie: Tento spínač sa používa ako spínač na supermrazenie. Pre maximálnu kapacitu mrazenia prosím tento spínač zapnite 24 hodiny pred vkladáním čerstvých potravín. Po vložení čerstvých potravín do mrazničky všeobecne stačí, keď spínač necháte v pozícii ZAP. po dobu 24 hodín. Ak chcete šetriť energiu, vypnite tento spínač po 24 hodinách od vloženia čerstvých potravín.

Zimný spínač: Ak je teplota okolia nižšia ako 16 °C, tento spínač sa používa ako zimný spínač a udržiava chladničku nad 0 °C, zatiaľ čo mrazničku pod -18 °C pri nízkych teplotách okolia.

Výstrahy o nastaveniach teplôt

- Neodporúčame používať chladničku v prostrediach chladnejších ako 10 °C.
- Teploty by ste mali nastaviť na základe frekvencie otvárania dverí, množstva potravín v chladničke a okolitej teploty chladničky.
- Po pripojení by vaša chladnička mala v závislosti od okolitej teploty bez prerušenia pracovať až 24 hodín, kým sa úplne nevychladí. Počas tejto doby neotvárajte dvere chladničky a nedávajte do nej žiadne potraviny.
- Ak je spotrebič vypnutý alebo odpojený, nechajte ho takto aspoň 5 min, než ho znovu zapnete alebo zapojíte, aby nedošlo k poškodeniu kompresora.
- Chladnička je navrhnutá tak, aby fungovala v intervaloch okolitej teploty uvedených v štandardoch a podľa klimatickej triedy uvedenej na informačnom štítku. Kvôli efektívnosti chladenia neodporúčame prevádzkovať chladničku mimo uvedené teplotné limity.
- Toto zariadenie je určené na použitie pri okolitej teplote v rámci rozsahu 16 °C – 38 °C
- Klimatická trieda a význam:
- **T (tropická):** Tento chladiaci spotrebič je určený na používanie pri teplote okolia v rozsahu od 16 °C do 43 °C.
- **ST (subtropická):** Tento chladiaci spotrebič je určený na používanie pri teplote okolia v rozsahu od 16 °C do 38 °C.
- **N (teplota):** Tento chladiaci spotrebič je určený na používanie pri teplote okolia v rozsahu od 16 °C do 32 °C.
- **SN (rozšírená teplota):** Tento chladiaci spotrebič je určený na používanie pri teplote okolia v rozsahu od 10 °C do 32 °C..

Príslušenstvo

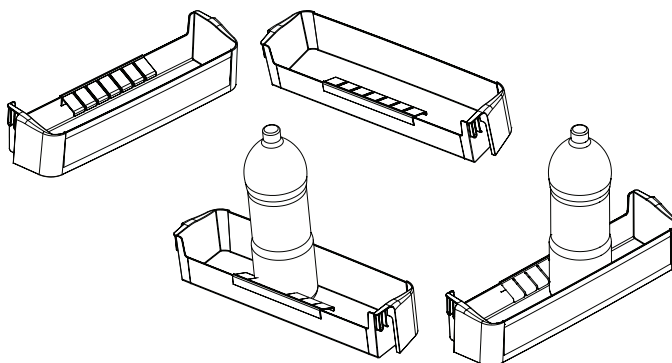
Miska na ľad (pri niektorých modeloch)

- Naplňte misku na ľad vodou a umiestnite ju do mrazničky.
- Keď zamrzne, môžete misku otočiť tak, ako je znázornené nižšie, a vyberiete hotové kocky ľadu.



Držiak na fľaše (pri niektorých modeloch)

Aby sa zabránilo vyšmyknutiu alebo pádu fľaše, môžete použiť držiak na fľaše. Môžete tiež zabrániť vzniku hluku, ktorý bude prebiehať pri otvorení alebo zatvorení dverí.



V závislosti od modelu, ktorý máte, sa vizuálne a textové popisky na príslušenstve môžu líšiť.

ČASŤ 3 ROZLOŽENIE POTRAVÍN V SPOTREBIČI

Chladiaci priestor

- Pre redukciu vlhkosti a následnej námrazy nikdy nekladajte do chladničky tekutiny v neutesnených obaloch. Námraza má tendenciu koncentrovať sa v najchladnejších častiach výparníka, čo spôsobuje častejšie alebo dlhšie trvajúce odmrazovanie.
- Do chladničky nikdy nekladajte teplé potraviny. Teplé potraviny by mali vychladnúť pri izbovej teplote a mali by byť uskladnené tak, aby bola zaistená adekvátna cirkulácia vzduchu v chladničke.
- Nič by sa nemalo dotýkať zadnej steny, mohlo by dôjsť k nalepeniu obalov na zadnú stenu. Dvere chladničky neotvárajte veľmi často.
- Umiestňujte mäso a očistené ryby (zabalené v obaloch alebo fólii), ktoré budete konzumovať v priebehu 1-2 dní.
- Ovocie a zeleninu môžete ukladať do časti určenej pre čerstvú zeleninu a ovocie bez obalov.

Potraviny	Čas skladovania	Miesto umiestnenia v priečniku chladničky
Zelenina a ovocie	1 týždeň	V chladiacom priečniku (bez zabalenia)
Mäso a ryby	2 až 3 dni	Zabalené do plastovej fólie a vreciek, prípadne v priečniku na mäso (na sklenenej polici)
Čerstvý syr	3 až 4 dni	V špeciálnej poličke vo dverách
Maslo a margarín	1 týždeň	V špeciálnej poličke vo dverách
Produkty vo fľašiach, mlieko a jogurt	Až do dátumu spotreby odporúčaného výrobcom	V špeciálnej poličke vo dverách
Vajíčka	1 mesiac	V poličke na vajíčka
Varené potraviny		Všetky poličky

- Za normálnych prevádzkových podmienok bude dostatočné upraviť nastavenie teploty chladničky na +4 °C.
- Teplota chladiaceho priestoru musí byť v rozmedzí 0 – 8 °C, čerstvé potraviny sa pri teplote nižšej ako 0 °C pokrývajú ľadom a pokazia sa, bakteriálne zaťaženie sa zvyšuje nad 8 °C a potraviny sa pokazia.
- Horúce potraviny nekladajte do chladničky ihneď, počkajte, kým teplota vyprchá. Horúce potraviny zvyšujú stupeň chladničky a spôsobia otravu jedlom a zbytočné pokazenie potravín.
- Mäso, ryby atď. sa musia uchovávať v chladiacom priestore na potraviny a priehradka na zeleninu sa uprednostňuje na zeleninu (ak je dostupná).
- Na zamedzenie krížovej kontaminácii neskladujte mäsové výrobky spolu s ovocím a zeleninou.
- Potraviny vkladajte do chladničky v uzavretých nádobách alebo zakryté, aby sa predišlo vlhkosti a zápachom.

Mraziaci priestor

- Mraznička je určená na zmrazovanie potravín, skladovanie už zmrazených potravín a na výrobu kociek ľadu.
- Do mrazničky nikdy nekladajte teplé potraviny, pretože dochádza k rozmrazeniu už zmrazených potravín.
- Pri zmrazení čerstvých potravín (napríklad mäsa a rýb) ich rozdeľte na časti, ktoré budete používať v jednom časovom období (naraz).
- Pri skladovaní zmrazených potravín sú na obaloch uvedené pokyny, ktoré by mali byť starostlivo dodržiavané, a ak nie sú uvedené žiadne informácie, potraviny by nemali byť uskladnené dlhšie než tri mesiace od dátumu nákupu.
- Pri nákupe zmrazených potravín sa ubezpečte, že tieto potraviny boli zmrazené pri vhodnej teplote a že obal nie je porušený.
- Zmrazené potraviny by mali byť prepravované vo vhodných obaloch, aby sa zachovala kvalita potravín a mali by byť opäť vložené do mrazničky v čo najkratšej dobe.
- Ak obal zmrazených potravín vykazuje známky vlhkosti alebo je neprirodzene zväčšený, je pravdepodobné, že predtým bol skladovaný pri nevhodnej teplote a že jeho obsah je znehodnotený.
- Doba skladovania zmrazených potravín závisí od izbovej teploty, nastavenia termostatu, frekvencie otvárania dverí mrazničky, typu potravín a doby nevyhnutnej na prepravu výrobku z obchodu do vašej domácnosti. Vždy dodržiujte pokyny vytlačené na obale a nikdy neprekračujte maximálnu dobu skladovania, uvedenú na obale.
- Pri mrazení doma pripravených potravín (a potravín, ktoré chcete rýchlo zmraziť) použite rýchlozmrazovaciu strednú zásuvku mraziaceho oddelenia, kde je najväčší mraziaci výkon.

Ryby a mäso	Príprava	Dĺžka skladovania (mesiace)	Dĺžka rozmrazovania pri izbovej teplote -hodiny-
Hovädzí steak	Zabalené na zmrazenie v primeraných porciách	6-10	1-2
Jahňacie mäso	Zabalené na zmrazenie v primeraných porciách	6-8	1-2
Teľacie pečené mäso	Zabalené na zmrazenie v primeraných porciách	6-10	1-2
Teľacie kocky	Na malé kúsky	6-10	1-2
Ovčie kocky	Na kúsky	4-8	2-3
Mleté mäso	V primeraných porciách, zabalené bez okorenenia	1-3	2-3
Drobky (kus)	Na kúsky	1-3	1-2
Jaternice/saláma	Musia byť zabalené aj vtedy, ak sú v črievku		Do rozmrazenia
Kura a moriak	Zabalené na zmrazenie v primeraných porciách	7-8	10-12
Hus/kačka	Zabalené na zmrazenie v primeraných porciách	4-8	10
Jeleň - zajac - diviak	Porcie po 2,5 kg a bez kostí	9-12	10-12
Sladkovodná ryba (pstruh, kapor, severská štika, sumec)	Mala by sa umyť a vysušiť po detailnom vyčistení zvnútra a odstránení šupín, chvosta, hlavy a mala by sa narezat' na miestach, kde je to potrebné.	2	Kým sa dobre nerozmrazí
Štíhle ryby (morský ostriež, kambala veľká, platýz)		4-8	Kým sa dobre nerozmrazí
Tučné ryby (tuniak bonito, makrela, lufara dravá, sardela)		2-4	Kým sa dobre nerozmrazí
Kôrovce	Očistené a vložené do sáčkov	4-6	Kým sa dobre nerozmrazí
Kaviár	Vo svojom balení, vo vnútri hliníkového alebo plastového poháríka	2-3	Kým sa dobre nerozmrazí
Slimák	V slanej vode, vo vnútri hliníkového alebo plastového poháríka	3	Kým sa dobre nerozmrazí

Zelenina a ovocie	Príprava	Dĺžka skladovania (mesiace)	Dĺžka rozmrazovania pri izbovej teplote -hodiny-
Karfiol	Odstráňte listy, rozdeľte jadro na časti a nechajte ho odstáť vo vode, v ktorej je malé množstvo citrónu	10 - 12	Môže sa používať v zmrazenom stave
Zelené fazule, francúzske fazule	Umyte ich a narežte na malé kúsky.	10 - 13	Môže sa používať v zmrazenom stave
Hrášok	Olúpte ho a umyte	12	Môže sa používať v zmrazenom stave
Hríby a špargľa	Umyte ich a narežte na malé kúsky	6 - 9	Môže sa používať v zmrazenom stave
Kel	Vyčistený	6 - 8	2
Baklažán	Po umytí narežte na kúsky s hrúbkou 2 cm	10 - 12	Kolieska od seba oddelte
Kukurica	Očistite ju a zabalte ju so šúľkom alebo len ako zrná	12	Môže sa používať v zmrazenom stave
Mrkva	Očistite ju a narežte na plátky	12	Môže sa používať v zmrazenom stave
Korenie	Odstráňte stonku, rozdeľte na dve časti a oddelte semenka	8 - 10	Môže sa používať v zmrazenom stave
Špenát	Umývaný	6 - 9	2
Jablko a hruška	Naporcujte ich, pričom odstráňte jaderník	8 - 10	(V mrazničke) 5
Marhuľa a broskyňa	Rozdeľte ich na polovičky a odstráňte kôstku	4 - 6	(V mrazničke) 4
Jahody a maliny	Umyte ich a očistite	8 - 12	2
Varené ovocie	V pohárikú s pridaním 10 % cukru	12	4
Slivky, čerešne, višne	Umyte ich a odstráňte stonky	8 - 12	5 - 7

Mliečne výrobky a cestoviny		Príprava	Dĺžka uskladnenia (mesiace)	Skladovanie
Balené (homogenizované) mlieko		Vo vlastnom balení	2 - 3	Len homogenizované mlieko
Syr (okrem bieleho syra)		Vo forme plátkov	6 - 8	Môže sa nechať v pôvodnom balení pri krátkodobom uskladnení. Pri dlhodobom uskladnení by sa mal tiež zabaliť do plastovej fólie.
Maslo, margarín		Vo vlastnom balení	6	
Vajíčka (*)	Vaječné bielka		10 - 12	30 g sa rovná jednému vaječnému žĺtku.
	Zmes vajíčok (bielka - žĺtka)	Je veľmi dobre premiešaný, pričom sa pridá štipka soli alebo cukru, aby sa predišlo jeho zhrubnutiu	10	50 g sa rovná jednému vaječnému žĺtku.
	Vaječný žĺtok	Je veľmi dobre premiešaný, pričom sa pridá štipka soli alebo cukru, aby sa predišlo jeho zhrubnutiu	8 - 10	20 g sa rovná jednému vaječnému žĺtku.

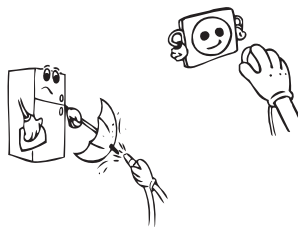
V zatvorenom poháriku

(*) Nemali by sa zmrazovať so škrupinou. Bielok a žĺtok vajíčka by sa mal zmrazovať samostatne alebo v dobre zmiešanom stave.

	Dĺžka skladovania (mesiace)	Dĺžka rozmrazovania pri izbovej teplote (hodiny)	Trvanie rozmrazovania v rúre (minúty)
Chlieb	4 - 6	2 - 3	4-5 (220-225 °C)
Pečivo	3 - 6	1 - 1,5	5-8 (190-200 °C)
Koláč	1 - 3	2 - 3	5-10 (200-225 °C)
Ovocná torta	1 - 1,5	3 - 4	5-8 (190-200 °C)
Plnené cestoviny	2 - 3	1 - 1,5	5-8 (190-200 °C)
Pizza	2 - 3	2 - 4	15-20 (200 °C)

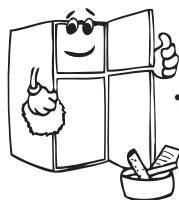
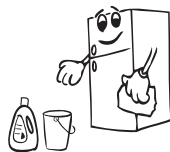
ČASŤ 4 ČISTENIE A ÚDRŽBA

- Pred začatím čistenia chladničku odpojte.



- Chladničku nečistíte prúdom vody.

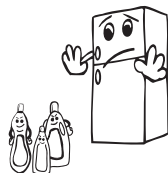
- Vnútornú a vonkajšiu stranu môžete utrieť pomocou jemnej utierky alebo špongie s použitím teplej a mydlovej vody.



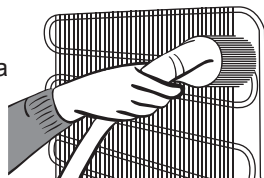
- Samostatne vyberte časti a vyčistite ich mydlovou vodou. Nečistite ich v umývačke riadu.



- Pri čistení nikdy nepoužívajte horľavé, výbušné alebo leptavé materiály, ako napríklad riedidlo, plyn alebo kyselinu.



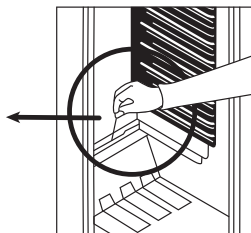
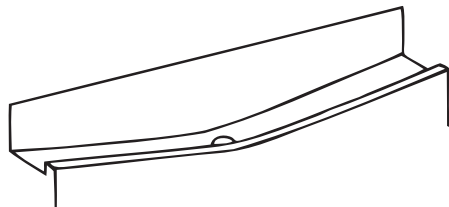
- Raz do roka by ste mali vyčistiť kondenzátor metlou, aby sa zabezpečila úspora energie a zvýšila produktivita.



Uistite sa, že počas čistenia bude chladnička odpojená.

Odmrazovanie

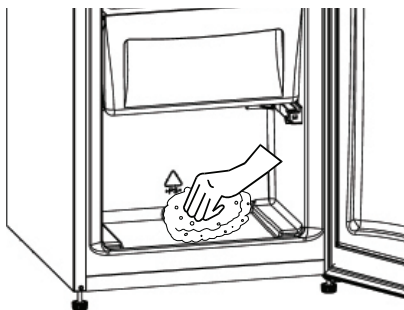
Odmrazovanie chladiaceho priestoru



- V chladiacej časti sa odmrazovanie uskutočňuje automaticky počas prevádzky spotrebiča, voda sa automaticky vyparuje.
- Tácka výparníka a otvor pre odvod vody z odmrazovania by mali byť periodicky čistené spolu so zátkou pre odtok vody z odmrazovania. Predídete nahromadeniu vody na dne chladničky namiesto jej odtečenia.

Odmrazovanie mraziaceho priestoru pri vypnutej chladničke

- Ľad akumulovaný v mrazničke by mal byť pravidelne odstraňovaný.
- Na odstránenie ľadu nepoužívajte ostré kovové predmety. Môžete prepichnúť chladiaci obvod a spôsobiť neopraviteľné škody na spotrebiči. Používajte plastovú škrabku.
- Odmrazovanie je potrebné uskutočňovať vtedy, keď sa na poličkách vytvára námraza viac ako 5 mm.
- Pred odmravením by mali byť zmrazené potraviny zabalené do niekoľkých vrstiev papiera a uskladnené na chladnom mieste. Zbytočný nárast teploty skráti ich možnú dobu skladovania. Zapamätajte si, že takéto potraviny musíte spotrebovať v relatívne krátkej dobe.
- Na urýchlenie procesu odmrazovania môžete do mraziaceho priestoru umiestniť jednu alebo viac nádob s teplou vodou.
- Vnútro spotrebiča starostlivo vysušte špongiou alebo čistou utierkou.
- Ak je spotrebič rozmrazený, vložte potraviny opäť do od mrazničky a majte na pamäti, že ich musíte v krátkej dobe skonzumovať.

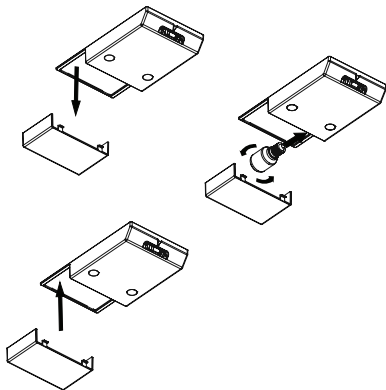


Výmena žiarovky v chladničke

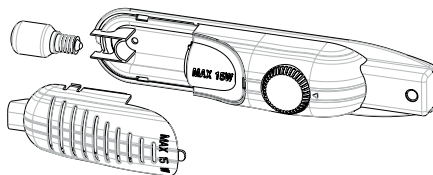
Postup pri výmene žiarovky v chladničke:

1. Odpojte spotrebič od zdroja energie.
2. Uvoľnite kryt A žiarovky pomocou vhodného náradia.
3. Nahradte nefunkčnú žiarovku novou s výkonom maximálne 15 W (B).
4. Naložte kryt žiarovky a po 5 min pripojte zariadenie k zdroju energie.

Keď je osvetlenie umiestnené na hornej strane



Keď je osvetlenie umiestnené bočnej strane



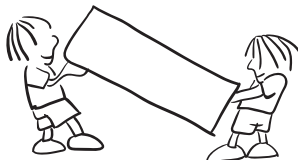
Výmena kontrolky LED

Ak má vaša chladnička kontrolku LED, kontaktujte helpdesk, pretože jej výmenu môžu vykonať len autorizovaní zamestnanci.

ČASŤ 5 DODANIE A PREMIESTNENIE

- Originálne balenie a penovú výplň si môžete uschovať pre opätovnú prepravu (voliteľne).
- Chladničku by ste mali dať do hrubého balenia, upevniť páskami alebo silnými špagátmi a postupovať podľa pokynov prepravy balenia za účelom opätovného prepravenia.
- Vyberte pohyblivé diely (poličky, príslušenstvo, priečinky na zeleninu atď.) alebo ich upevnite v chladničke k zarážkam pomocou pásov počas premiestňovania a prepravy.

Chladničku prenášajte vo vzpriamenej polohe.



Zmena pozície dverí

- Smer otvárania dverí vašej chladničky sa nedá zmeniť, ak sú rukoväte dverí na vašej chladničke nainštalované na prednej strane dverí.
- Smer otvárania možno zmeniť v prípade dverí bez rukoväte.
- Ak je potrebné zmeniť smer otvárania dverí, musíte kontaktovať najbližší autorizovaný servis, a požiadať o zmenu smeru otvárania.

ČASŤ 6 SKÔR NEŽ ZAVOLÁTE SERVIS

Ak vaša chladnička správne nepracuje, môže ísť o menší problém, preto skôr, než zavoláte servis, skontrolujte spotrebič podľa nasledovných inštrukcií:

Čo robiť, keď váš spotrebič nefunguje

Skontrolujte, či:

- je v poriadku prívod elektrickej energie,
- nie je odpojený hlavný vypínač vo vašom dome,
- nie je termostat nastavený do pohody vypnutia,
- Skontrolujte pripojením iného funkčného zariadenia k tej istej zásuvke.

Čo robiť, ak je výkon vášho spotrebiča nízky

Skontrolujte, či:

- nie je zariadenie preťažené,
- sú dvere správne zatvorené,
- v kondenzátore nie je prach (zadná časť),
- je dosť miesta pri zadnej stene a bočných stenách.

Ak sa vyskytuje hluk

Chladiaci plyn, ktorý cirkuluje v obvode chladničky, môže spôsobovať slabý hluk (bublajúci zvuk) dokonca aj v prípade, keď kompresor nepracuje. Neznepokojujte sa, je to celkom normálne. Ak tieto zvuky sú iné, skontrolujte, či:

- je spotrebič správne vycentrován do roviny,
- sa nedotýka zadná stena nejakého predmetu
- látka v spotrebiči vibruje.

Ak je v spodnej časti chladničky voda

Skontrolujte, či:

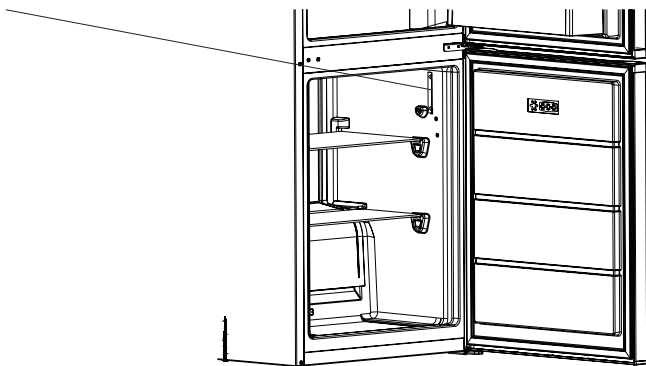
- otvor na odtok rozmrazenej vody nie je upchatý (vyberte zátku na odtok rozmrazenej vody a vyčistíte otvor).

Odporúčania

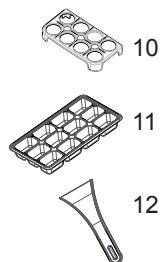
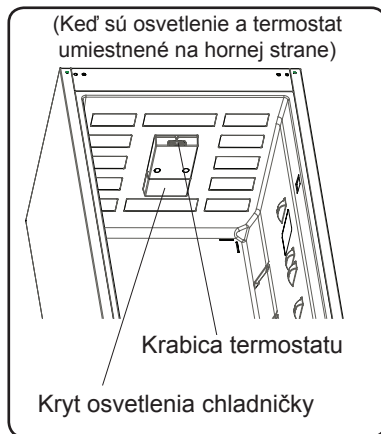
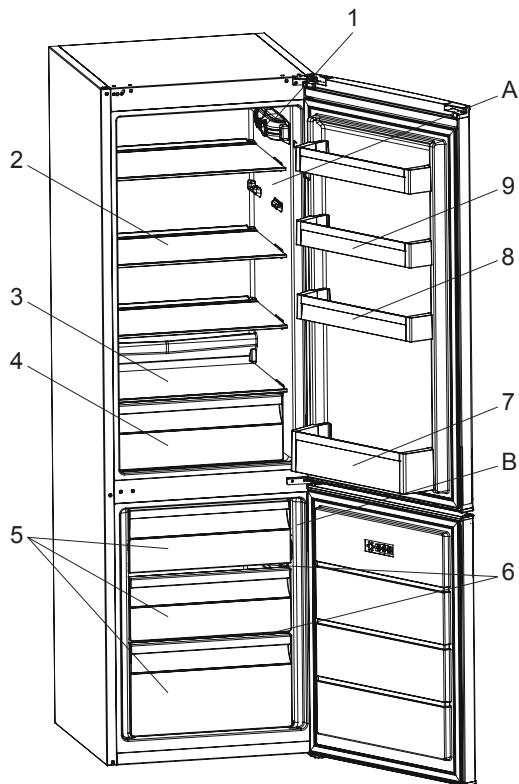
- Ak spotrebič nie je v prevádzke dlhší čas (napríklad počas letnej dovolenky), treba chladničku odmraziť, vyčistiť a dvere nechať otvorené, aby ste zamedzili vzniku plesní a zápachu.
- Vypnite úplne spotrebič, vyťahnite ho zo zástrčky (pri čistení, keď sú dvere otvorené)

Tipy pre šetrenie energie

1. Zariadenie nainštalujte v chladnej, dobre vetranej miestnosti, ale nie na priamom slnečnom svetle a nie v blízkosti tepelného zdroja (radiátor, sporák.. atď). Inak použite izolačnú dosku.
2. Umožnite, aby sa teplé potraviny a nápoje ochladili mimo zariadenia.
3. Pri rozmrazovaní mrazených potravín ich umiestnite do chladiacej priehradky. Nízka teplota mrazených potravín pomôže ochladiť chladiacu priehradku pri ich rozmrazovaní. To umožní šetrenie energie. Ak sa mrazené potraviny vyberú, spôsobí to stratu energie.
4. Keď sa tam umiestňujú nápoje a liehoviny, musia byť uzatvorené. Inak sa v zariadení zvýši vlhkosť. Preto sa pracovná doba predĺži. Zakrývanie nápojov a liehovín pomáha zachovávať ich vôňu a chuť.
5. Pri umiestňovaní potravín a nápojov otvorte dverka len na krátku dobu.
6. Udržiavajte kryty rôznych teplotných oddelení (chladička, mraznička) zatvorené.
7. Tesnenie dvierok musí byť čisté a ohybné. V prípade opotrebovania ho vymeňte.
8. Spotreba energie vášho spotrebiča je deklarovaná bez zásuviek a s úplne naplnenou mrazničkou.
9. Pre šetrenie energie nepoužívajte priestor mrazničky medzi limitom zaťaženia a dverami, pozdĺž línie limitu zaťaženia. Limit zaťaženia je použitý aj pri deklarácii spotreby energie.



ČASŤ 7 ČASTI SPOTREBIČA A ODDELENIA



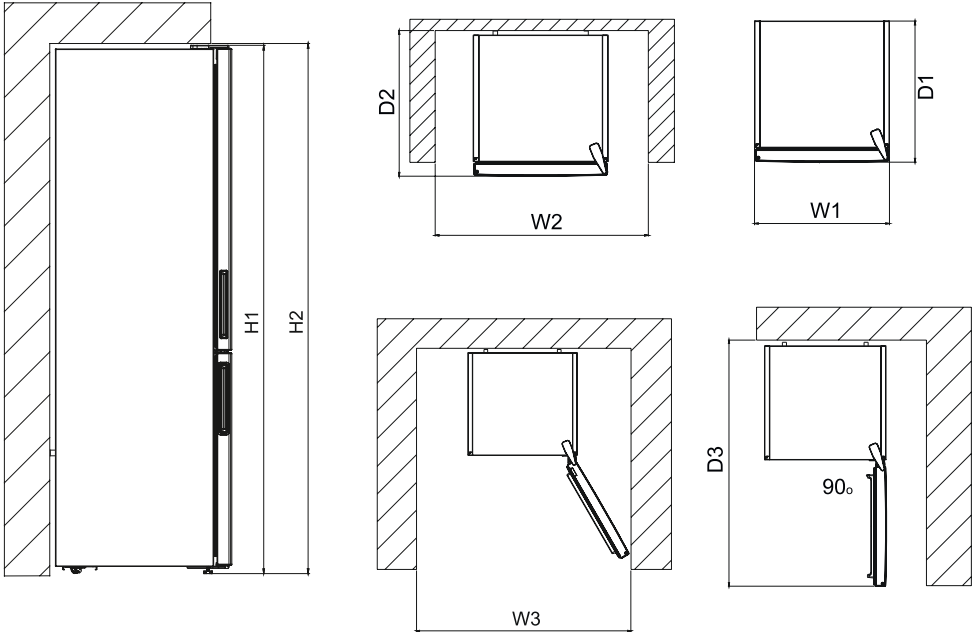
Tento obrázok bol nakreslený ako informačný na zobrazenie rôznych častí a príslušenstva zariadenia. Diely sa môžu v závislosti od modelu zariadenia líšiť.

A) Chladiaca časť

B) Mraziaca časť

- 1) Termostat (Keď sú osvetlenie a termostat umiestnené bočnej strane)
- 2) Polica chladničky
- 3) Kryt ovocia a zeleniny
- 4) Nádobá pre ovocie a zeleniny
- 5) Kôš mrazničky
- 6) Sklenená polička mrazničky
- 7) Polica pre fľaše
- 8) Nastaviteľné poličky vo dverách* / Horné poličky vo dverách
- 9) Horné poličky vo dverách
- 10) Držiak pre vajička
- 11) Zásobník na ľad
- 12) Plastová škrabka *

Dimensions



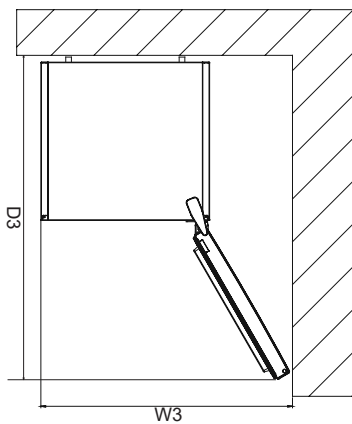
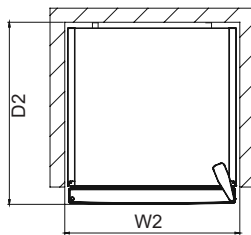
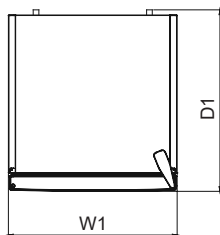
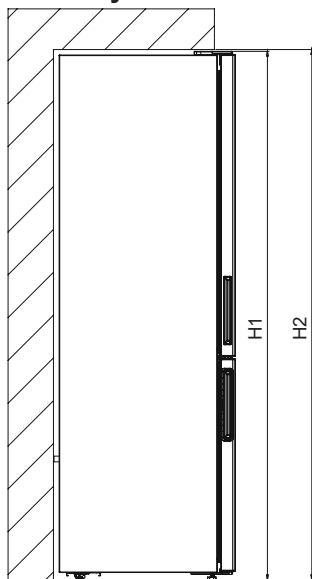
Overall dimensions ¹	
H1	1700 mm
W1	540 mm
D1	595 mm

Space required in use ²	
H2	1850 mm
W2	640 mm
D2	635 mm

Overall space required in use ³	
W3	640 mm
D3	1137,9 mm

Rozměry

7N



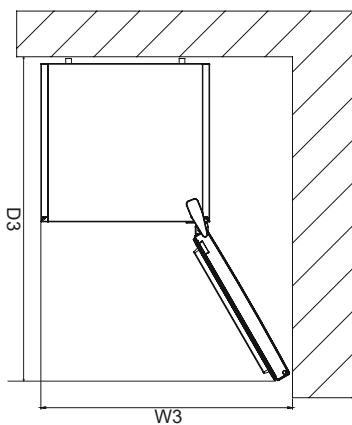
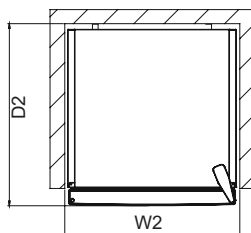
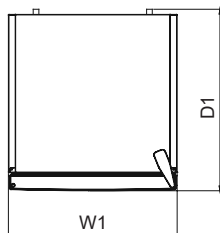
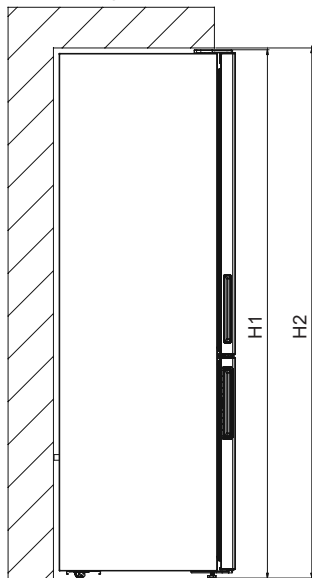
Celkové rozměry ¹		
H1	mm	1700
W1	mm	540
D1	mm	595

Prostor vyžadovaný v provozu ²		
H2	mm	1850
W2	mm	640
D2	mm	635

Celkový prostor vyžadovaný v provozu ³		
W3	mm	640
D3	mm	1137,9

Rozmery

G?



Celkové rozmery ¹		
H1	mm	1700
W1	mm	540
D1	mm	595

Priestor potrebný pri používaní ²		
H2	mm	1850
W2	mm	640
D2	mm	635

Celkový priestor potrebný pri používaní ³		
W3	mm	640
D3	mm	1137,9

